



TECHNICAL DATASHEET VARIOTRAC 350B

CONTACT US:

1 Grande rue
54540 MONTIGNY, France
Tel: +33 3 83 42 15 79



WWW.PLAISANCE-EQUIPEMENTS.COM



B SERIE

Exclusive PTO technology, 2 rotation speeds, increasing torque level, no clutch. A system that combines flexibility, comfort and productivity.

VARIOTRAC 350B

GENERAL INFORMATION

Constructor	PLAISANCE EQUIPEMENTS SAS
Brand	Plaisance
Type	Self-propelled machine (MAGA)
Version	VARIOTRAC 350B
Drive	Mechanical

FEATURES

Advancement	Hydrostatic advancement with 2 speed ranges 0-8 km/h and 0-25 km/h
	Suptronic advancement control (automatic adaptation of the self-propelled vehicle's advance according to the engine speed)
	Number of axles and wheels: 2 motorized steering axles DANA type 223/169 and 223/170, 4 simple wheels
	4 driving wheels
	Steering mode : 2 front wheels steering (for circulation), 4 wheels steering (for work)
Tires size	Forestry tires 18,4-26
Chassis	Integral frame made of high strength steel. Floating linkage. Full shielding.
Engine location and layout	On the back, longitudinal
Driver's cab location	Central position between front axle and rear axle

	ENGINE
Denomination	Manufacturer: VOLVO PENTA
	Type: TAD883VE
General description	Inner combustion engine with reciprocating pistons and crankshaft
	Power rating: 320 hp – Engine capacity : 7,7l
	Cycle : Diesel
Number and disposition of cylinders	6 cylinders in-line
Maximum torque	1330 nm at 1400 rotation/min
Maximum rotation speed	2200 rotation/min
Engine power supply mode	Common rail fuel injection
Air filter type	Dry, with cartridges
Ignition	By compression
Engine cooling	By forced water circulation and water cooler

	CONFORT + CAB
VISION + windscreen	Inclined, monobloc, anti-dust, anti-reflection, anti-rain.
Display and control	Full digital display (mulcher rotation, gauges, indicators, diagnostic, settings...) Advancement control by front/rear foot pedal and manual reversing
Safety	Lexan-Margard® safety glass (12 mm) ROPS-FOPS-OPS approval
Equipment	Cab: air-conditioning system, soundproofed, pressurized and high comfort damping system Working lights: 2 front and 2 rear High comfort seat (Public works type) Stereo USB-Bluetooth radio

	EXTRA INFORMATION
Fuel type	Diesel
Fuel tank	415 l steel tank on the left side of the frame
Hydraulic tank	186 l steel tank on the right side of the frame
AdBlue tank	45 l on the right in the hydraulic tank

MULCHER TECHNICAL DESCRIPTION

BF 552 2000

MULCHER

Rotor width	2 m
Rotor diameter	500 mm
Use	Forestry mulching
Teeth	Single or double carbide tips + Side teeth
Teeth position on the rotor	Fixed - Helical and V positions
Side belts transmission to rotor	2 Polychain belts in carbon
Curtain of chains	Anti-projection double curtain of chains
Protection door	Hydraulic with two cylinders (public works)
Hydraulic rake	With two cylinders (public works)
Frame	Strengthen - High tensile steel
Rolling	Heavy duty roller bearings with double rows of rollers. Made with mass cut steel bearing.
Rotor axis	Bolted shafts
Skids	HARDOX 450® soles Adjustable in 3 positions: +45 mm / 0mm / - 45mm
Protections	Anti-wire cut in mass, bolted and interchangeable
Hitch	Hydraulic third point (Cat 3)

TEETH



Wood tool
Single carb tip

OF3
75 to 95 teeth



Wood tool
Double carb tip

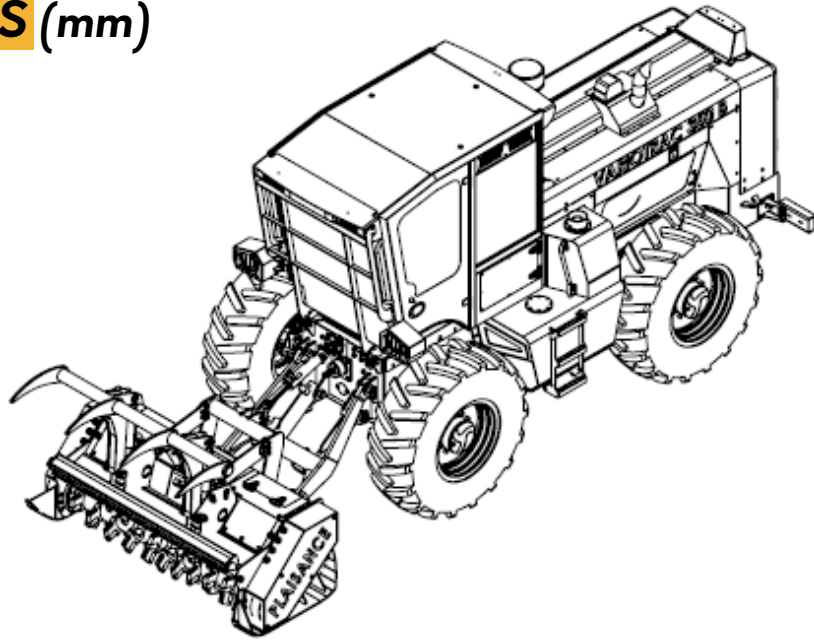
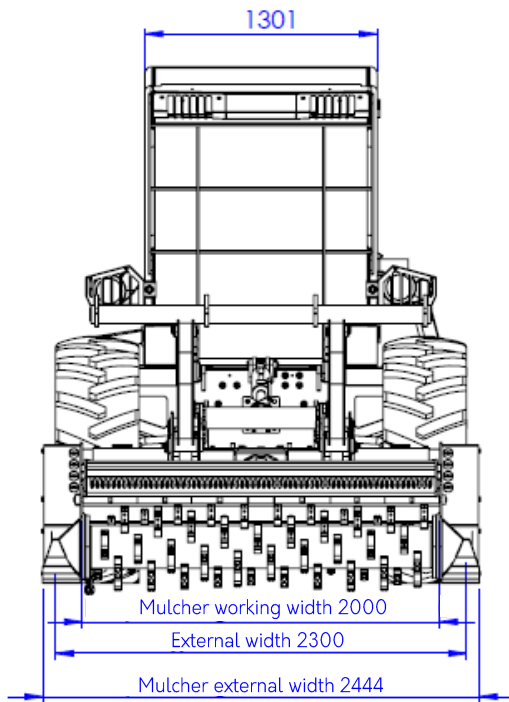
OF11
45 to 55 teeth



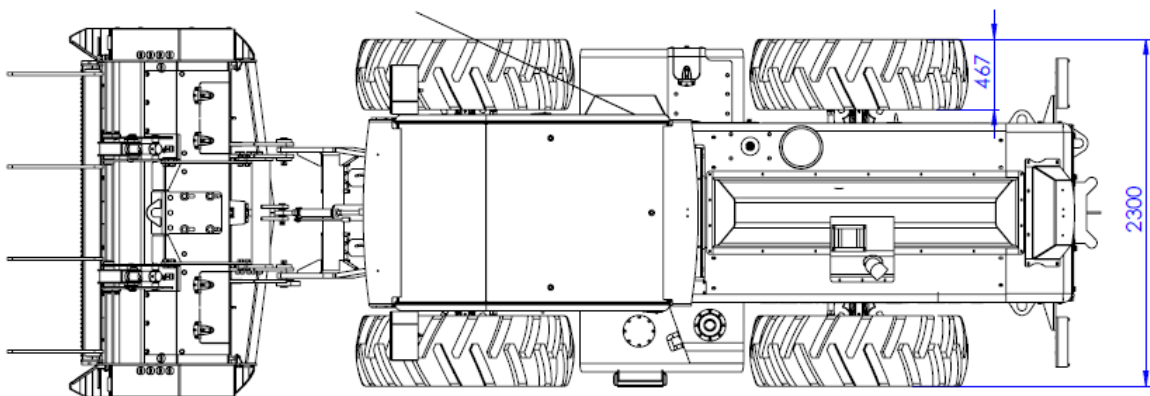
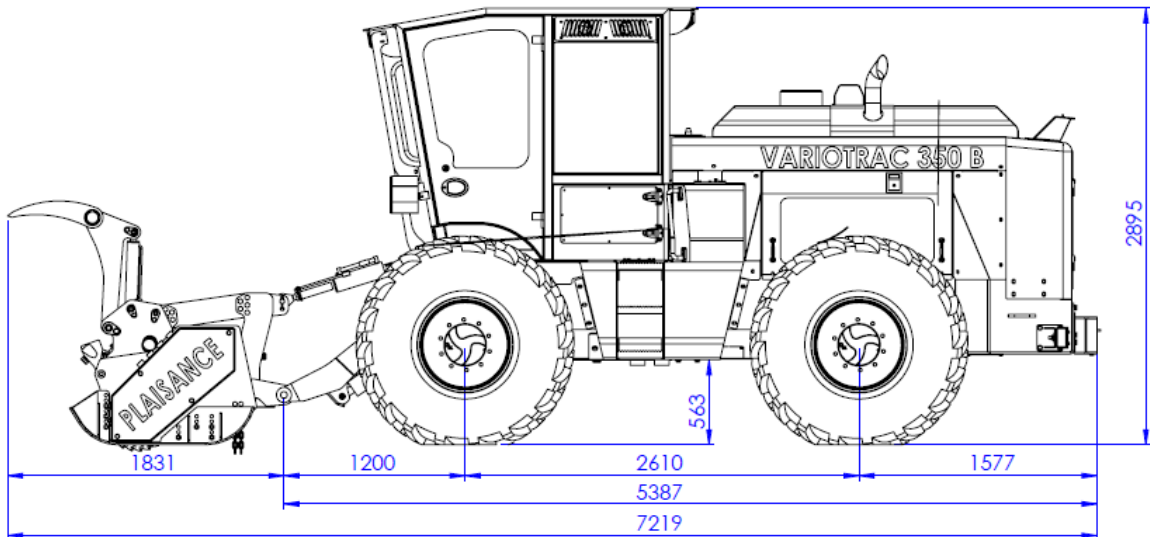
Stone tool
Single carb tip

OM5
45 to 55 teeth

PLAN AND DIMENSIONS (mm)



TOTAL WEIGHT: 12 100 kg



CABIN INTERIOR



STEERING COLUMN TILT



