



TECHNICAL DATASHEET

VARIOTRAC 440R

CONTACT US :

1 Grande rue
54540 MONTIGNY
Tel : +33 (0)3 83 42 15 79



WWW.PLAISANCE-EQUIPEMENTS.COM



VARIOTRAC 440R

GENERAL INFORMATION

Constructor	PLAISANCE EQUIPEMENTS SAS
Brand	Plaisance
Type	Self-propelled machine (MAGA)
Version	VARIOTRAC 440R
Power grip	Mechanic

FEATURES

Advancement	Hydrostatic advancement with 2 speed ranges 0-8 km/h and 0-25 km/h
	Suptronic advancement control (automatic adaptation of the self-propelled vehicle's advance according to the engine speed)
	Number of axles and wheels : 2 motorized steering axles DANA SPICER 4 driving wheels
	Steering mode : - 2 front wheels steering (for circulation), 4 wheels steering (for work) / Crab steering or rear wheel following
Tyres size	Forestry tyres 23,1-26
Chassis	Integral chassis made of high strenght steel. Floating motor-box set. Full shielding.
	Winch in option
Engine location and layout	On the back, longitudinal
Driver's cab location	Central position between front axle and rear axle

LATERAL ARM FEATURES

Size	9 m	13 m
Properties	Removal arm in SX 960 with rotator	
	180° amplitude	
Tools	Hudraulic mulcher or pruning knife	



	ENGINE
Denomination	Manufacturer : CUMMINS
	Type : QSM 11
General description	Inner combustion engine with reciprocating pistons and crankshaft
	Power grip : 400 Hp – Engine capacity : 10,8 l
	Cycle : Diesel
Number and disposition of cylinders	6 cylinders in line
Maximum torque	1898 Nm at 2100 rotation/min
Maximum rotation speed	2100
Engine power supply mode	Common rail fuel injection
Air filter type	Dry, with cartridges
Ignition	By compression
Engine cooling	By forced water circulation and water cooler
	CONFORT + CAB
VISION + windscreen	Inclined, monobloc, anti-dust, anti-reflection, anti-rain.
Display and control	Full digital display (mulcher rotation, gauges, indicators, diagnostic, settings...) Advancement control by front/rear foot pedal and manual reversing
Safety	Lexan-Margard® safety glass 10 mm ROPS-FOPS-OPS approval
Equipments	New cab, air-conditioned, soundproof, pressurized (6kW) and high comfort damping system – Panoramic side and top windows Work light : 2 front headlights and 2 rear headlights High comfort seat (Public works type) Stereo USB-Bluetooth radio
	EXTRA INFORMATION
Fuel type	Diesel
Fuel tank	2 tanks of 238 liters (total capacity : 476 liters) on the back of the chassis
Hydraulic tank	214liters metallic tank fixed on the left side of the chassis

Front tool technical description

BF 602 2200

FRONTAL MULCHER

Rotor width	2,2 m
Rotor diameter	600 mm
Use	Forestry mulching
Tools	Fixed – 1 or 2 carbide tips Side scraper tools
Tools position on the rotor	Helical and V positions
Mechanical drive	2 Gates® Polychain belts
Curtains of chains	Triple curtains of chains
Protection door	Hydraulic with two (public works) heavy duty cylinders
Hydraulic rake	Hydraulic with two HARDOX® jacks
Rolling	Heavy duty roller bearings with double rows of rollers. Made with mass cut steel bearing.
Ski	HARDOX 450® soles
Protections	Anti-wire, bolted and interchangeable cut in mass, chains and metal sheet antiprojections
Bearings	Mass cut steel bearing
Box	400 Hp – Double industrial gimbals mechanical drive
Counter blade	HARDOX® counter knives, inside chassis
Hitch	Specific hydraulic third point
Chassis	HLE and HARDOX® steels

Tools

Single carb tip



OF3

Double carb tip



OF7

Side tool technical description

BFH 301

SIDE MULCHER

Rotor width	0,8 m	1 m	1,2 m
Rotor diameter	410 mm		
Use	Mulching		
Tools	Fixed – double carbide tip (single in option)		
Tools position on the rotor	Helical and V positions		
Mechanical drive	1 Gates® Polychain belt		
Curtain of chains	Single curtain of chains		
Protection door	Hydraulic with two (public works) heavy duty cylinders		
Safety	Anti-shock, anti-cavitation valves		
Rolling	Heavy duty roller bearings with double rows of rollers. Made with mass cut steel bearing.		
Ski	HARDOX 450® soles		
Protections	Anti wire cut in mass		
Bearings	Mass cut steel bearing		
Hydraulic engine	HYDRO LEDUC		
Counter blade	HARDOX® counter knives, inside chassis		
Chassis	HLE steel		

Tools

Single carb tip



OF5

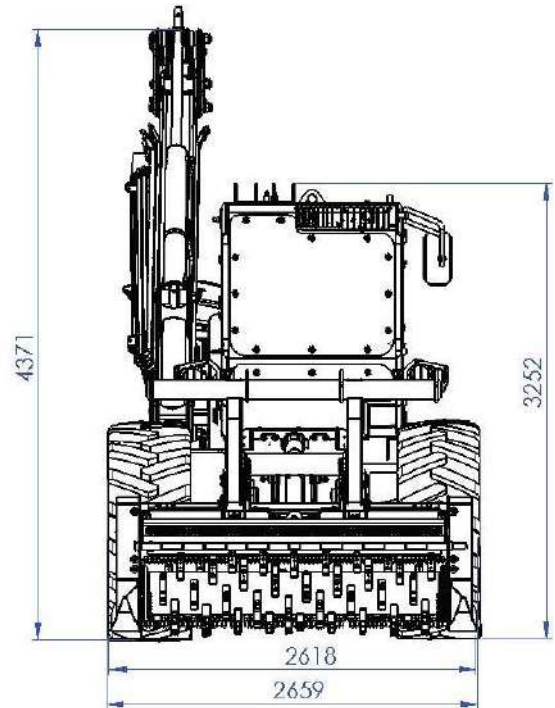
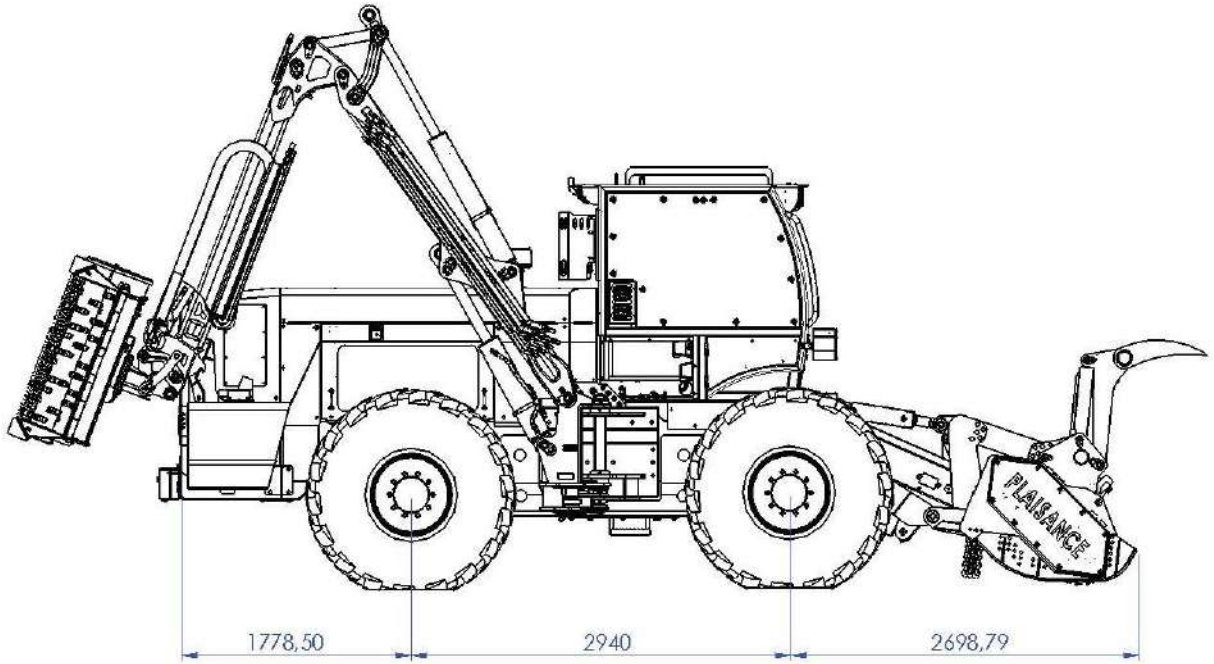
Double carb tip



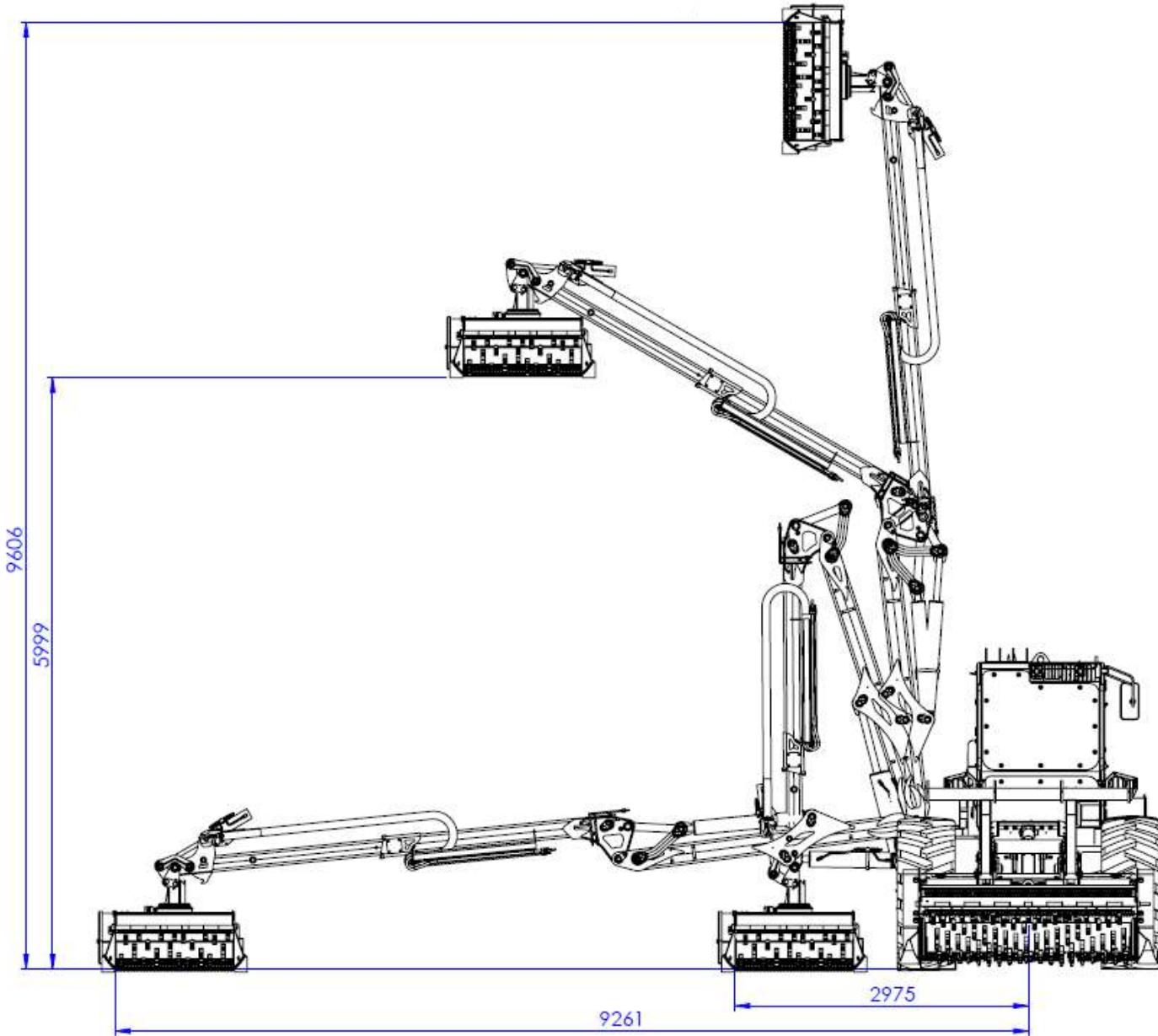
OF6

LAMIER 4 À 6 DISQUES POSSIBLE

■ **Dimensions – Hydraulic mulcher configuration (mm)**



■ **Arm amplitude – Hydraulic mulcher configuration(en mm)**



■ **Arm amplitude – Hydraulic mulcher configuration(en mm)**

