



# TECHNICAL DATASHEET

# VARIOTRAC 300R

CONTACT US:

1 Grande rue  
54540 MONTIGNY, France  
Tel : +33 3 83 42 15 79



[WWW.PLAISANCE-EQUIPEMENTS.COM](http://WWW.PLAISANCE-EQUIPEMENTS.COM)

# VARIOTRAC 300R

## GENERAL INFORMATION

<b>Constructor</b>	PLAISANCE EQUIPEMENTS SAS
<b>Brand</b>	Plaisance
<b>Type</b>	Self-propelled machine (MAGA)
<b>Version</b>	VARIOTRAC 300R
<b>Power grip</b>	Mechanic

## FEATURES

<b>Advancement</b>	Hydrostatic advancement with 2 speed ranges 0-8 km/h and 0-25 km/h
	Suptronic advancement control (automatic adaptation of the self-propelled vehicle's advance according to the engine speed)
	Number of axles and wheels : 2 motorized steering axles DANA SPICER
	4 driving wheels
	Steering mode : - 2 front wheels steering (for circulation), 4 wheels steering (for work) / Crab steering or rear wheel following
<b>Tyres size</b>	Forestry or road tyres 18,4-26 or ALLIANCE R550
<b>Chassis</b>	Integral chassis made of high strength steel. Floating motor-box set. Full shielding.
	Winch in option
<b>Engine location and layout</b>	On the back, longitudinal
<b>Driver's cab location</b>	Central position between front axle and rear axle

## LATERAL ARM FEATURES

<b>Size</b>	7,5 m	9 m
<b>Properties</b>	Removal arm in SX 960 with rotator	
	180° amplitude	
<b>Tools</b>	BFH 301 or pruning knife	

	<b>ENGINE</b>	
<b>Denomination</b>	Manufacturer : CUMMINS	
	Type : QSB 6,7 – Stage 5	
<b>General description</b>	Inner combustion engine with reciprocating pistons and crankshaft	
	Power grip : 260 Hp – Engine capacity : 6,7 l	
	Cycle : Diesel	
<b>Number and disposition of cylinders</b>	6 cylinders in line	
<b>Maximum torque</b>	987 Nm at 1500 rotation/min	
<b>Maximum rotation speed</b>	2200	
<b>Engine power supply mode</b>	Common rail fuel injection	
<b>Air filter type</b>	Dry, with cartridges	
<b>Ignition</b>	By compression	
<b>Engine cooling</b>	By forced water circulation and water cooler	
	<b>CONFORT + CAB</b>	
<b>VISION + windscreen</b>	Inclined, monobloc, anti-dust, anti-reflection, anti-rain.	
<b>Display and control</b>	Full digital display (mulcher rotation, gauges, indicators, diagnostic, settings...)	
	Advancement control by front/rear foot pedal and manual reversing	
<b>Safety</b>	Lexan-Margard® safety glass 10 mm	
	ROPS-FOPS-OPS approval	
<b>Equipments</b>	New cab, air-conditioned, soundproof, pressurized and high comfort damping system	
	Work light : 2 front headlights and 2 rear headlights	
	High comfort seat (Public works type)	
	Stereo USB-Bluetooth radio	
	<b>EXTRA INFORMATION</b>	
<b>Fuel type</b>	Diesel	
<b>Fuel tank</b>	Without winch : 466 liters metallic tank fixed on the back of the chassis	With winch : 357 liters metallic tank fixed on the back of the chassis
	110 liters metallic tank fixed on the left side of the chassis	

## Front tool technical description

# BF 501 2000R

### FRONTAL MULCHER

<b>Rotor width</b>	2 m
<b>Rotor diameter</b>	500 mm
<b>Use</b>	Forestry mulching/crushing
<b>Tools</b>	Fixed – 1 or 2 carbide tips Side scraper tools
<b>Tools position on the rotor</b>	Helical and V positions
<b>Mechanical drive</b>	6 V-belts by side
<b>Curtains of chains</b>	Double curtains of chains
<b>Protection door</b>	Hydraulic with two (public works) heavy duty cylinders
<b>Hydraulic rake</b>	Hydraulic with two HARDOX® jacks
<b>Rolling</b>	Heavy duty roller bearings with double rows of rollers. Made with mass cut steel bearing.
<b>Ski</b>	HARDOX 500® soles
<b>Protections</b>	Anti-wire, bolted and interchangeable cut in mass, chains and metal sheet antiprojections
<b>Bearings</b>	Mass cut steel bearing
<b>Box</b>	300 Hp – Double industrial gimbals mechanical drive
<b>Counter blade</b>	HARDOX® counter knives, inside chassis
<b>Hitch</b>	Specific hydraulic third point
<b>Chassis</b>	HLE and HARDOX® steels

## Tools

Single carb tip



OF5

Double carb tip



OF6

## Side tool technical description

# BFH 301

## MULCHER

Rotor width	0,8 m	1 m	1,2 m
Rotor diameter	410 mm		
Use	Mulching		
Tools	Fixed – double carbide tip (single in option)		
Tools position on the rotor	Helical and V positions		
Mechanical drive	1 Gates® Polychain belt		
Curtain of chains	Single curtain of chains		
Protection door	Hydraulic with two (public works) heavy duty cylinders		
Safety	Anti-shock, anti-cavitation valves		
Rolling	Heavy duty roller bearings with double rows of rollers. Made with mass cut steel bearing.		
Ski	HARDOX 450® soles		
Protections	Anti-wire, bolted and interchangeable cut in mass, chains and metal sheet antiprojections		
Bearings	Mass cut steel bearing		
Hydraulic engine	HYDRO LEDUC		
Counter blade	HARDOX® counter knives, inside chassis		
Chassis	HLE steel		

## Tools

Single carb tip



OF5

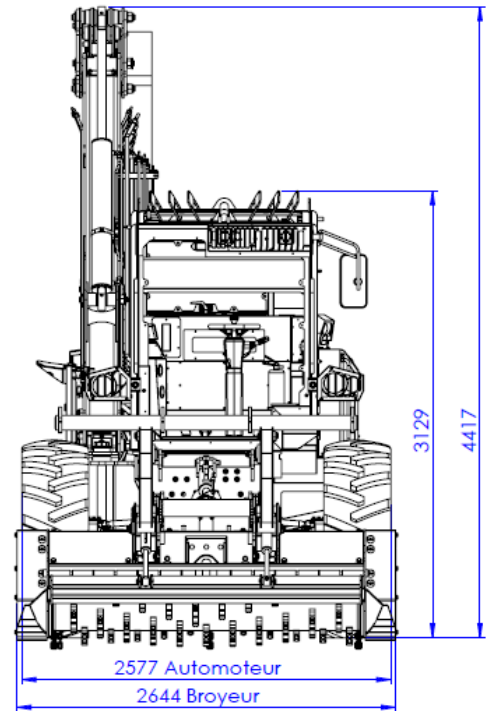
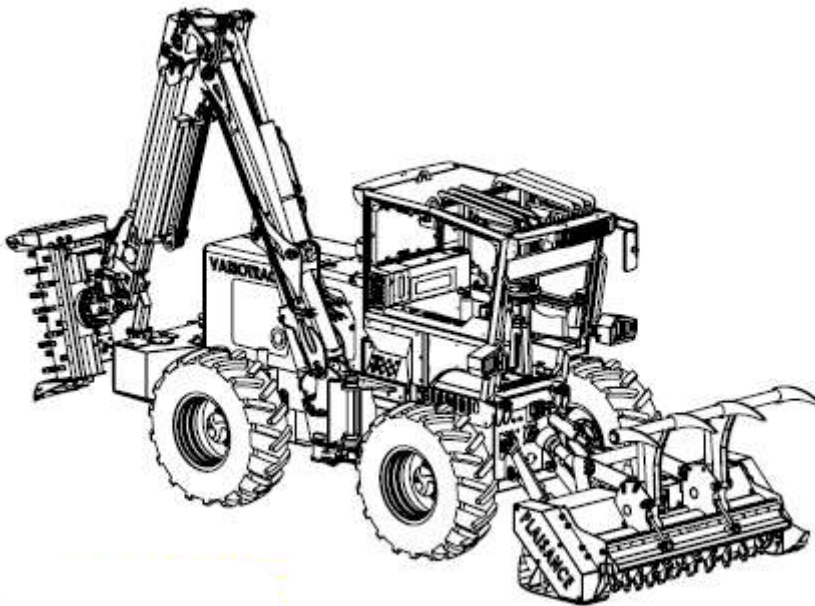
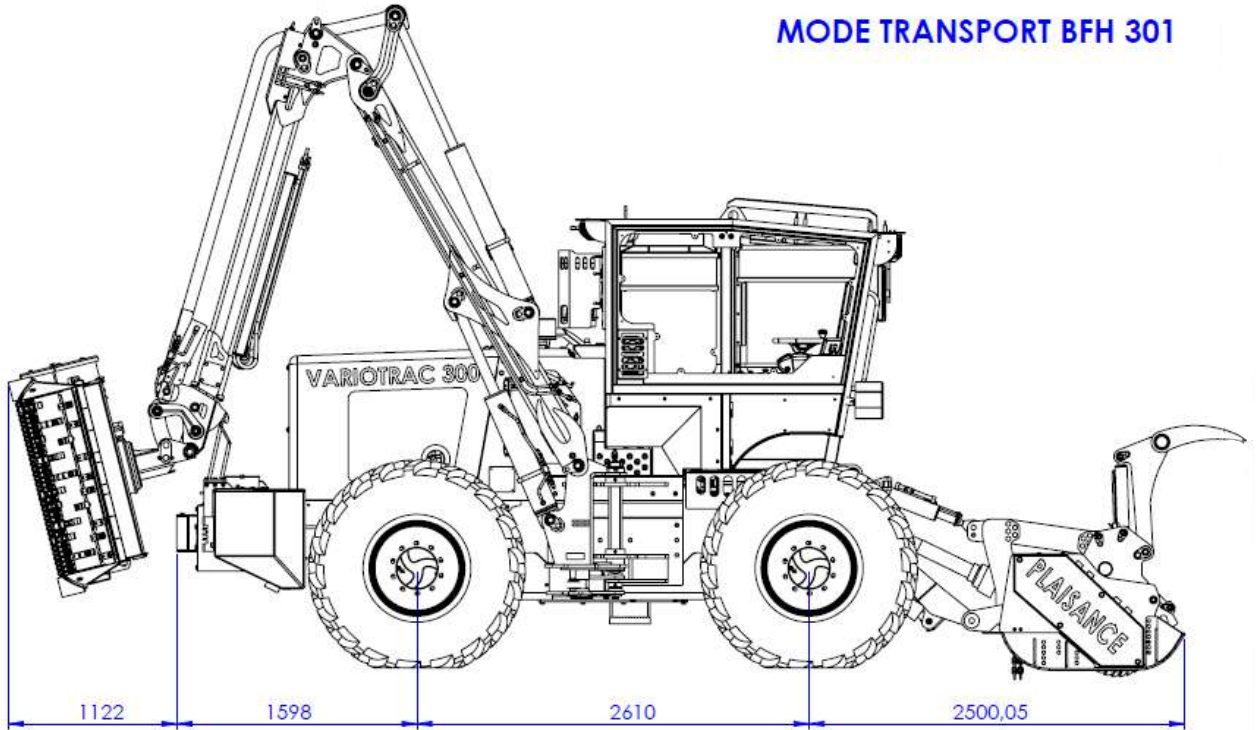
Double carb tip



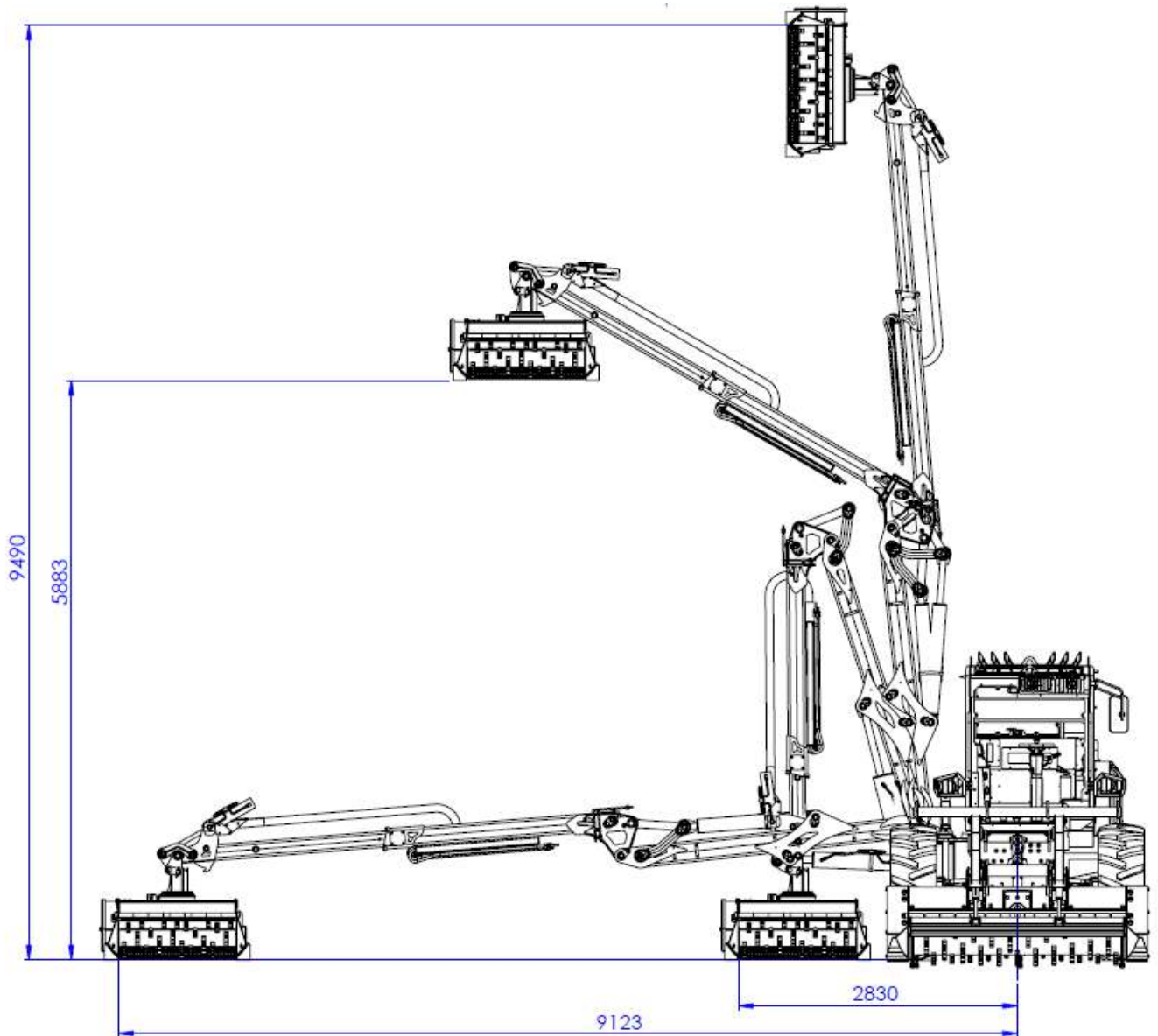
OF6

## Dimensions – Hydraulic mulcher configuration (mm)

### MODE TRANSPORT BFH 301

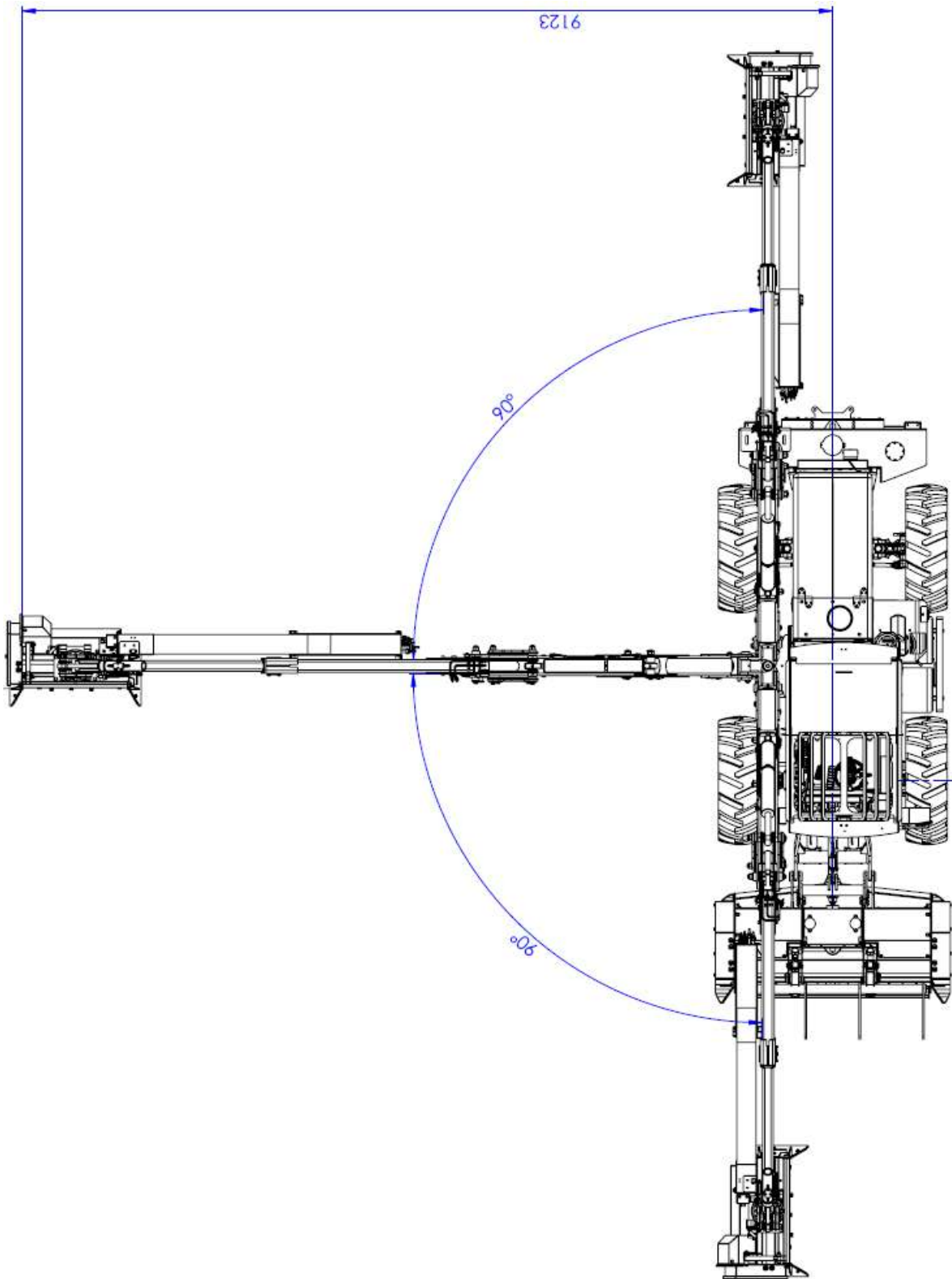


## Arm amplitude – Hydraulic mulcher configuration (en mm)



**4 OR 6-DISC CUTTER BAR AVAILABLE**

## Arm amplitude – Hydraulic mulcher configuration (en mm)

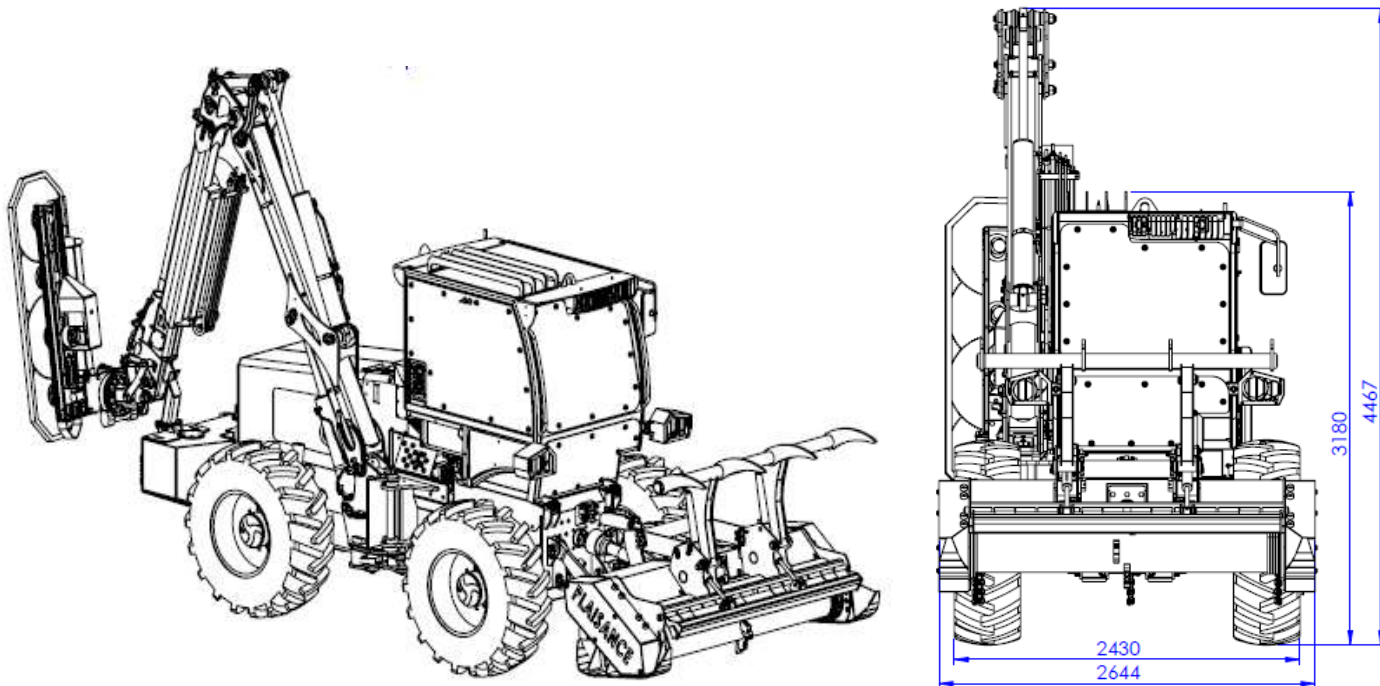
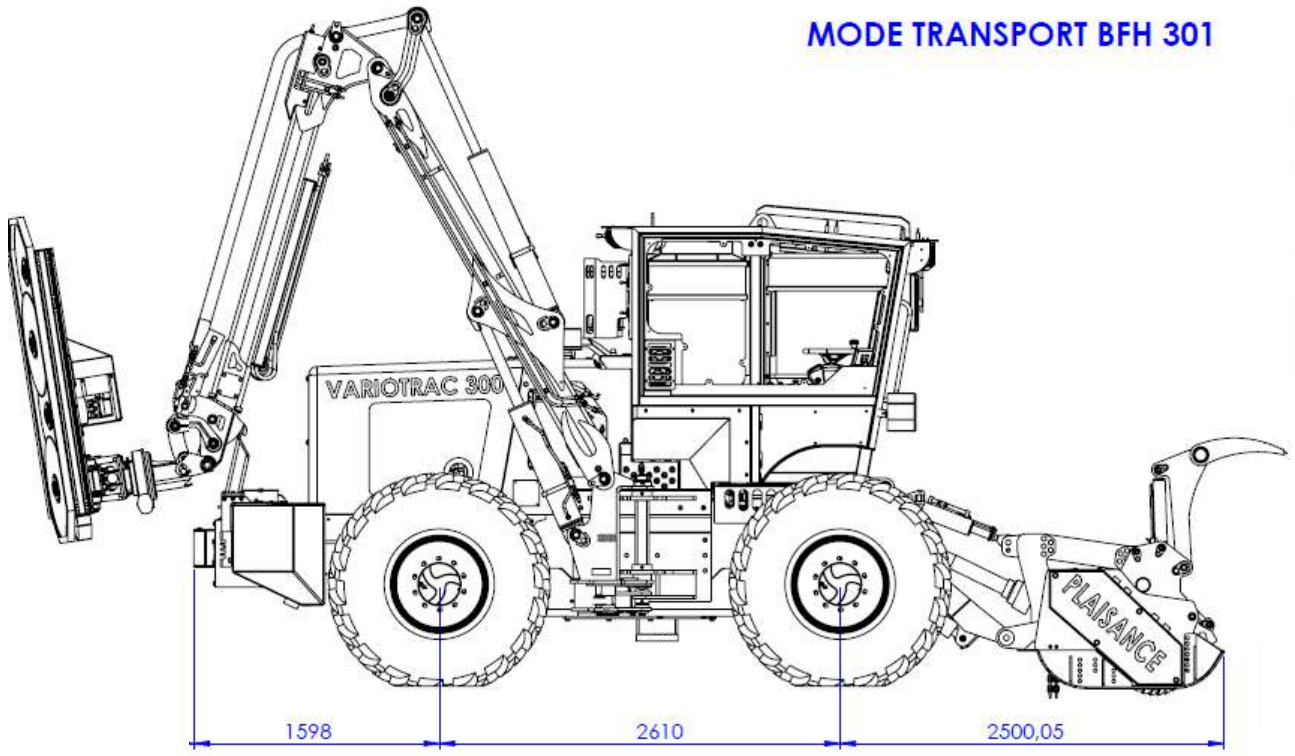


**4 OR 6-DISC CUTTER BAR AVAILABLE**



## Dimensions – Pruning knife configuration (mm)

**MODE TRANSPORT BFH 301**



**4 OR 6-DISC CUTTER BAR AVAILABLE**

