



TECHNICAL DATASHEET

VARIOTRAC 300R

CONTACT US :

1 Grande rue
54540 MONTIGNY
Tel : +33 (0)3 83 42 15 79



WWW.PLAISANCE-EQUIPEMENTS.COM

VARIOTRAC 300R

GENERAL INFORMATION

Constructor	PLAISANCE EQUIPEMENTS SAS
Brand	Plaisance
Type	Self-propelled machine (MAGA)
Version	VARIOTRAC 300R
Power grip	Mechanic

FEATURES

Advancement	Hydrostatic advancement with 2 speed ranges 0-8 km/h and 0-25 km/h
	Suptronic advancement control (automatic adaptation of the self-propelled vehicle's advance according to the engine speed)
	Number of axles and wheels : 2 motorized steering axles DANA SPICER
	4 driving wheels
	Steering mode : - 2 front wheels steering (for circulation), 4 wheels steering (for work) / Crab steering or rear wheel following
Tyres size	Forestry or road tyres 18,4-26 or ALLIANCE R550
Chassis	Integral chassis made of high strength steel. Floating motor-box set. Full shielding.
	Winch in option
Engine location and layout	On the back, longitudinal
Driver's cab location	Central position between front axle and rear axle

LATERAL ARM FEATURES

Size	7,5 m	9 m
Properties	Removal arm in SX 960 with rotator	
	180° amplitude	
Tools	BFH 301 or pruning knife	

ENGINE		
Denomination	Manufacturer : CUMMINS	
	Type : QSB 6,7 – Stage 5	
General description	Inner combustion engine with reciprocating pistons and crankshaft	
	Power grip : 260 Hp – Engine capacity : 6,7 l	
	Cycle : Diesel	
Number and disposition of cylinders	6 cylinders in line	
Maximum torque	987 Nm at 1500 rotation/min	
Maximum rotation speed	2200	
Engine power supply mode	Common rail fuel injection	
Air filter type	Dry, with cartridges	
Ignition	By compression	
Engine cooling	By forced water circulation and water cooler	
CONFORT + CAB		
VISION + windscreen	Inclined, monobloc, anti-dust, anti-reflection, anti-rain.	
Display and control	Full digital display (mulcher rotation, gauges, indicators, diagnostic, settings...)	
	Advancement control by front/rear foot pedal and manual reversing	
Safety	Lexan-Margard® safety glass 10 mm	
	ROPS-FOPS-OPS approval	
Equipments	New cab, air-conditioned, soundproof, pressurized and high comfort damping system	
	Work light : 2 front headlights and 2 rear headlights	
	High comfort seat (Public works type)	
	Stereo USB-Bluetooth radio	
EXTRA INFORMATION		
Fuel type	Diesel	
Fuel tank	<u>Without winch :</u> 466 liters metallic tank fixed on the back of the chassis	<u>With winch :</u> 357 liters metallic tank fixed on the back of the chassis
	Hydraulic tank	110 liters metallic tank fixed on the left side of the chassis

Front tool technical description

BF 501 2000R

FRONTAL MULCHER

Rotor width	2 m
Rotor diameter	500 mm
Use	Forestry mulching/crushing
Tools	Fixed – 1 or 2 carbide tips Side scraper tools
Tools position on the rotor	Helical and V positions
Mechanical drive	6 V-belts by side
Curtains of chains	Double curtains of chains
Protection door	Hydraulic with two (public works) heavy duty cylinders
Hydraulic rake	Hydraulic with two HARDOX® jacks
Rolling	Heavy duty roller bearings with double rows of rollers. Made with mass cut steel bearing.
Ski	HARDOX 500® soles
Protections	Anti-wire, bolted and interchangeable cut in mass, chains and metal sheet antiprojections
Bearings	Mass cut steel bearing
Box	300 Hp - Double industrial gimbals mechanical drive
Counter blade	HARDOX® counter knives, inside chassis
Hitch	Specific hydraulic third point
Chassis	HLE and HARDOX® steels

Tools

Single carb tip



OF5

Double carb tip



OF6

Side tool technical description

BFH 301

MULCHER

Rotor width	0,8 m	1 m	1,2 m
Rotor diameter	410 mm		
Use	Mulching		
Tools	Fixed – double carbide tip (single in option)		
Tools position on the rotor	Helical and V positions		
Mechanical drive	1 Gates® Polychain belt		
Curtain of chains	Single curtain of chains		
Protection door	Hydraulic with two (public works) heavy duty cylinders		
Safety	Anti-shock, anti-cavitation valves		
Rolling	Heavy duty roller bearings with double rows of rollers. Made with mass cut steel bearing.		
Ski	HARDOX 450® soles		
Protections	Anti-wire, bolted and interchangeable cut in mass, chains and metal sheet antiprojections		
Bearings	Mass cut steel bearing		
Hydraulic engine	HYDRO LEDUC		
Counter blade	HARDOX® counter knives, inside chassis		
Chassis	HLE steel		

Tools

Single carb tip



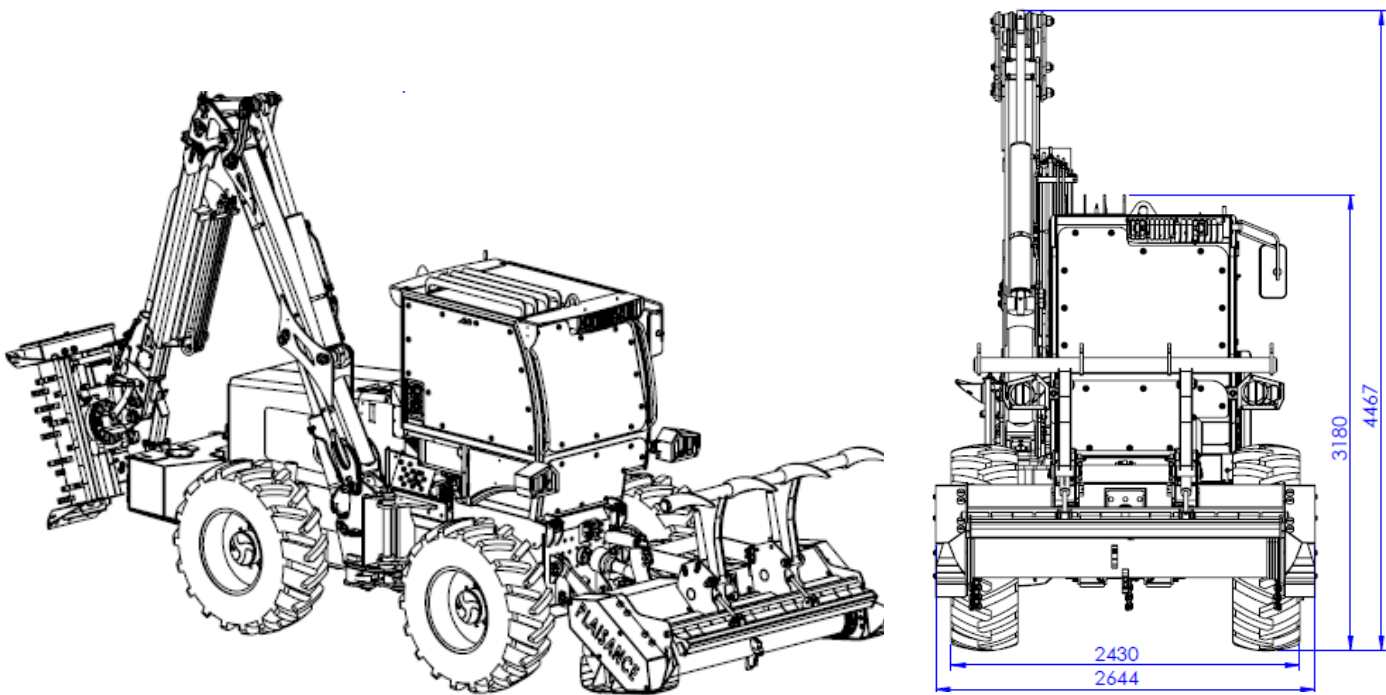
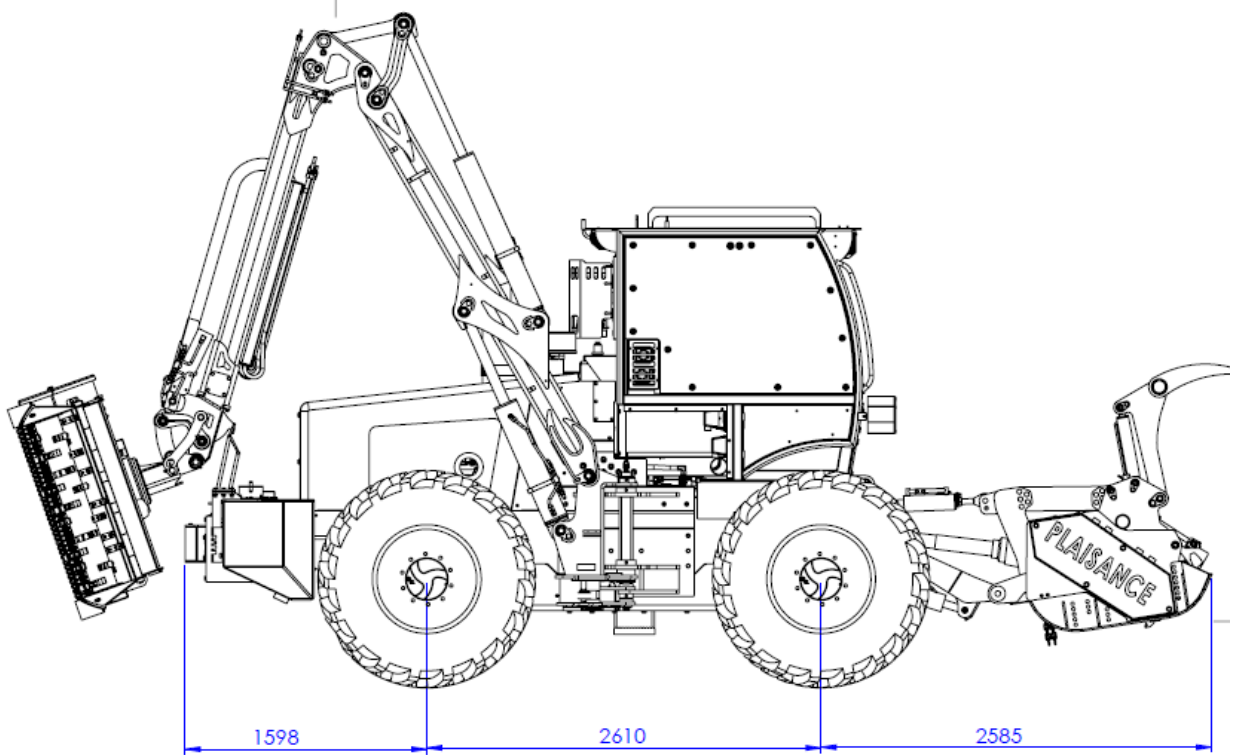
OF5

Double carb tip

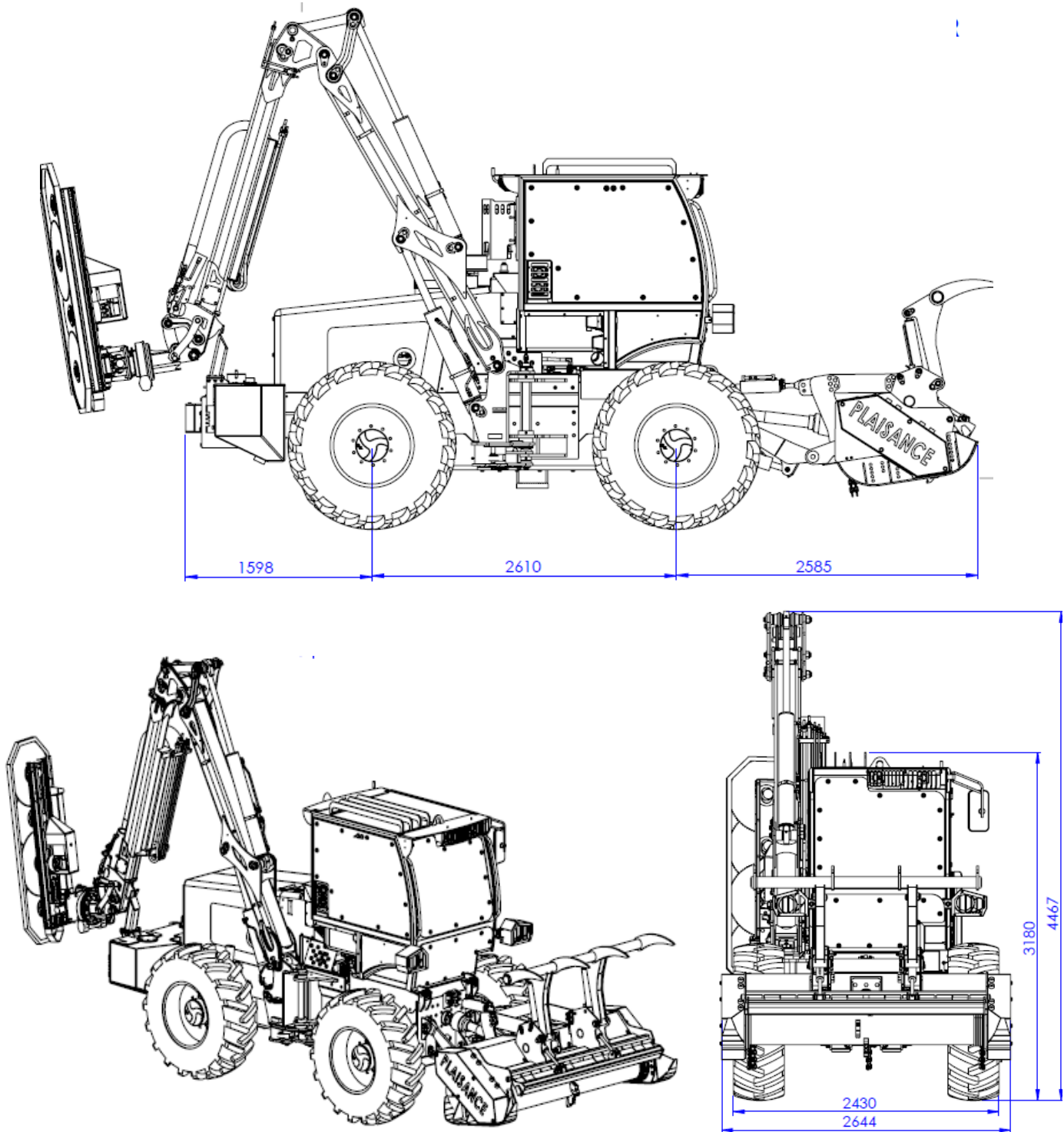


OF6

Dimensions – Hydraulic mulcher configuration (mm)



Dimensions – Pruning knife configuration (mm)



LAMIER 4 À 6 DISQUES POSSIBLE

