



# TECHNICAL DATASHEET

# GALOTRAX 800

CONTACT US :

1 Grande rue  
54540 MONTIGNY  
Tel : +33 (0)3 83 42 15 79



[WWW.PLAISANCE-EQUIPEMENTS.COM](http://WWW.PLAISANCE-EQUIPEMENTS.COM)

# GALOTRAX 800

## GENERAL INFORMATION

<b>Constructor</b>	PLAISANCE EQUIPEMENTS SAS
<b>Brand</b>	Plaisance
<b>Type</b>	Self-propelled machine
<b>Version</b>	GALOTRAX 800
<b>Power grip</b>	100 % Mechanic

## FEATURES

<b>Advancement</b>	Hydrostatic advancement with 2 speed ranges 0-4 km/h and 0-7 km/h
	Suptronic advancement control (automatic adaptation of the self-propelled vehicle's advance according to the engine speed)
	D7 caterpillars
	BONFIGLIOLI gearmotor
	Steering mode : Independent caterpillar
<b>Caterpillars size</b>	8442 mm
	Caterpillar width : 32" (813 mm)
<b>Bogies</b>	Oscillating
<b>Chassis</b>	Integral chassis made of high strength steel. Floating motor-box set. Full shielding.
<b>Engine location and layout</b>	On the back, longitudinal
<b>Driver's cab location</b>	Front central position

<b>ENGINE</b>	
<b>Denomination</b>	Manufacturer : CATERPILLAR
	Type : C18
<b>General description</b>	Inner combustion engine with reciprocating pistons and crankshaft
	Power rating : 765 Hp – Engine capacity : 18,1 l
	Cycle : Diesel
<b>Number and disposition of cylinders</b>	6 cylinders in line
<b>Maximum torque</b>	3496 nm at 1400 rotation/min
<b>Maximum rotation speed</b>	1800
<b>Engine power supply mode</b>	Common rail fuel injection
<b>Air filter type</b>	Dry, with cartridges
<b>Ignition</b>	By compression
<b>Engine cooling</b>	By forced water circulation and water cooler

<b>CAB</b>	
<b>Display and control</b>	Full digital display (mulcher rotation, gauges, indicators, diagnostic, settings...)
	Advancement control by joystick
<b>Safety</b>	Lexan-Margard® safety glass 12 mm
	ROPS-FOPS-OPS approval
<b>Equipments</b>	New cab, air-conditioned, soundproof, pressurized and high comfort damping system
	Work light : 2 front headlights and 2 rear headlights
	High comfort seat (Public works type)
	Stereo USB-Bluetooth radio

<b>EXTRA INFORMATION</b>	
<b>Fuel type</b>	Gazole
<b>Fuel tank</b>	970 liters metallic tank fixed on the left side of the chassis
<b>Hydraulic tank</b>	440 liters metallic tank fixed on the right side of the chassis

## Mulcher technical description

# BF 800 2100

	<b>MULCHER</b>
<b>Rotor width</b>	2,1 m
<b>Rotor diameter</b>	590 mm
<b>Use</b>	Forestry mulching/crushing
<b>Tools</b>	Fixed – 1 carbide tip Side scraper tools
<b>Tools position on the rotor</b>	Helical and V positions
<b>Mechanical drive</b>	2 Gates® Polychain belts
<b>Curtain of chains</b>	Triple curtain of chains
<b>Protection door</b>	Hydraulic with two (public works) heavy duty cylinders
<b>Hydraulic rake</b>	Hydraulic with two HARDOX® cylinders
<b>Safety</b>	Anti-shock, anti-cavitation valves
<b>Rolling</b>	Heavy duty roller bearings with double rows of rollers. Made with mass cut steel bearing.
<b>Ski</b>	HARDOX 450® soles
<b>Protections</b>	Anti-wire, bolted and interchangeable cut in mass, chains and metal sheet antiprojections
<b>Bearings</b>	Mass cut steel bearing
<b>Box</b>	600Hp – Double industrial gimbals mechanical drive
<b>Counter blade</b>	HARDOX® counter knives, inside chassis
<b>Hitch</b>	Specific hydraulic third point
<b>Chassis</b>	HLE and HARDOX® steels

### Tools

Single carb tip



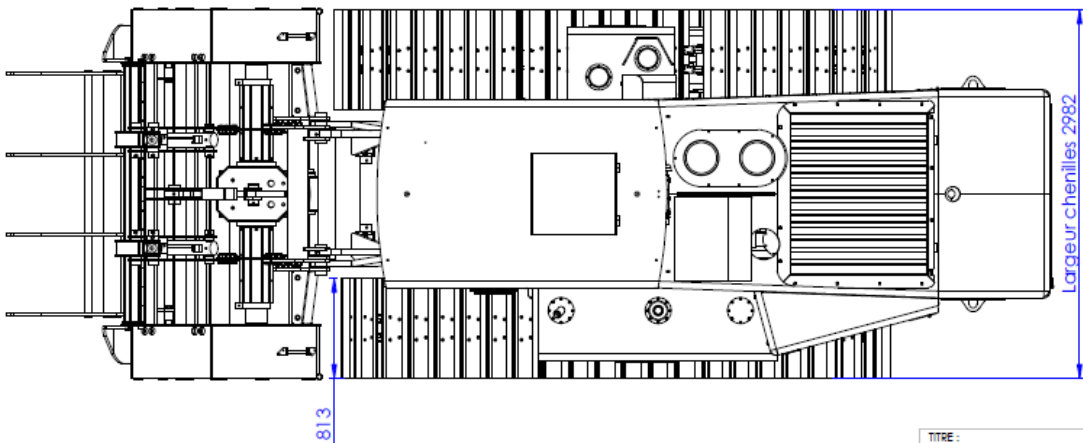
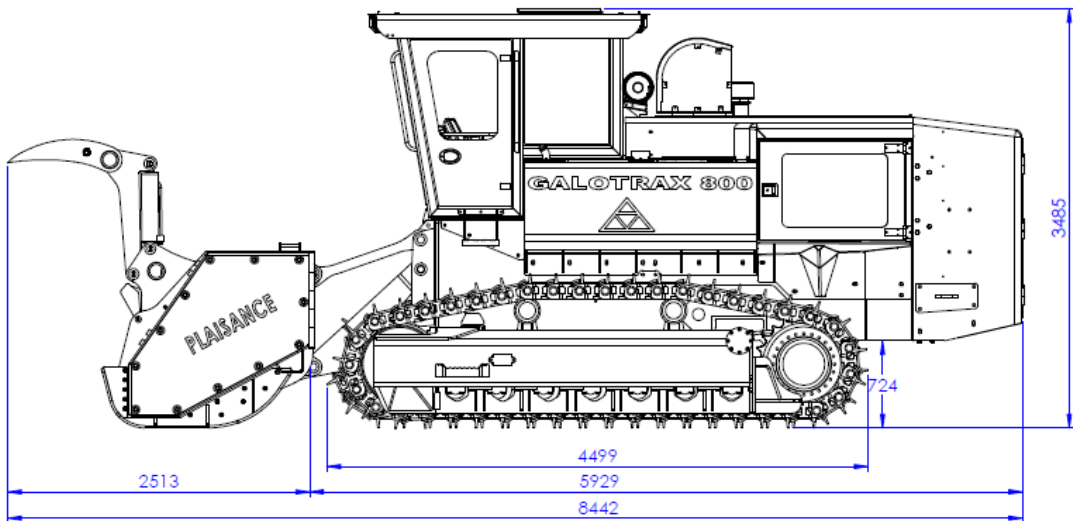
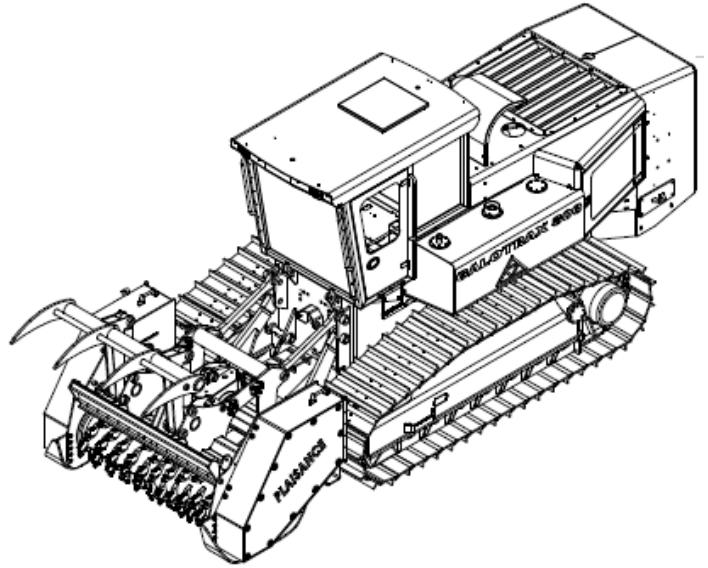
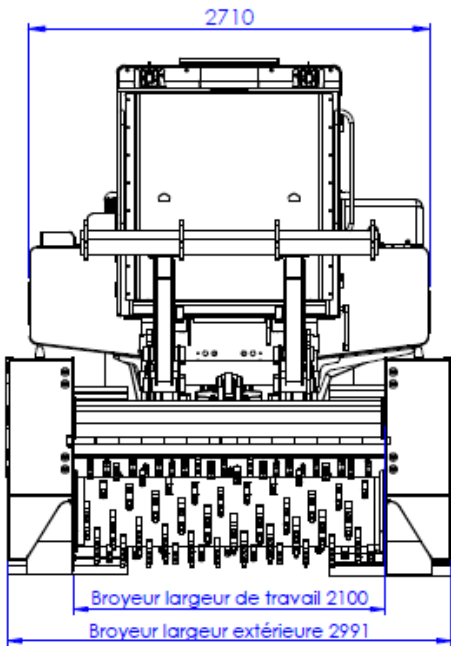
OF3

Single carb tip for stones and materials



OF8

## Weight and dimensions (kg and mm)



TITRE :



