



TECHNICAL DATASHEET

GALOTRAX 300H

CONTACT US:

Tel: +33 3 83 42 15 79

1 Grande rue

54540 MONTIGNY, FRANCE



WWW.PLAISANCE-EQUIPEMENTS.COM



GALOTRAX 300H

GENERAL INFORMATION

Constructor	PLAISANCE EQUIPEMENTS SAS
Brand	Plaisance
Type	Self-propelled machine
Version	GALOTRAX 300H
Power grip	100 % Hydraulic

FEATURES

Advancement	Hydrostatic advancement with 2 speed ranges 0-4 km/h and 0-8 km/h
	Suptronic advancement control (automatic adaptation of the self-propelled vehicule's advance according to the engine speed)
	D4 caterpillars lubricated
	Steering mode: Independent caterpillar
Track size	Length: 2182 mm
	Width: 24" (610 mm)
Bogies	Oscillant
Chassis	Self-supporting box made in sheet steel gathered by welding. Floating motor-box set. Full shielding.
Engine location and layout	On the back, longitudinal
Driver's cab location	Front central position

	ENGINE
Denomination	Constructor: VOLVO PENTA Type: TAD883VE – Stage 5
General description	Inner combustion engine with reciprocating pistons and crankshaft Power rating: 320Hp – Engine capacity: 7.7 l Cycle: Diesel
Number and disposition of cylinders	6-cylinder in-line
Maximum torque	1330 nm at 1400 rotation/min
Maximum rotation speed	2200 rotation/min
Engine power supply mode	Common rail fuel injection
Air filter type	Dry, with cartridges
Ignition	By compression
Engine cooling	By forced water circulation and water cooler

	CAB
Display and control	Full digital display (mulcher rotation, gauges, indicators, diagnostic, settings...) Advancement control by joystick
Safety	Lexan-Margard® safety glass 12 mm ROPS-FOPS-OPS approval
Equipments	New air-conditioned, soundproofed, pressurized cab and high-comfort damping system Work light: 2 front headlights and 2 rear headlights High comfort seat (Public works type) Stereo car radio

	EXTRA INFORMATION
Fuel type	Diesel
Fuel tank	330 liters metallic tank fixed on the left side of the chassis
Hydraulic tank	195 liters metallic tank fixed on the left side of the chassis
AdBlue tank	45 liters

BF 552 H 2000

EXCAVATOR'S FORESTRY MULCHER

Rotor width	2 m
Rotor diameter	500 mm
Use	Forestry mulching
Teeth	Fixed – 1 or 2 carbide tips Side scraper tools
Tools position on the rotor	Helical and V positions
Mechanical drive	2 Gates® Polychain belts
Curtain of chains	Antiprojection double curtain of chains
Protection door	Hydraulic with two heavy duty cylinders
Hydraulic rake	Hydraulic with two HARDOX® jacks
Roller bearings	Heavy duty roller bearings with double rows of rollers
Ski	HARDOX 450® soles
Protections	Anti-wire, bolted and interchangeable cut in mass, chains and metal sheet antiprojections
Roller bearings holders	Mass cut steel bearing
Two hydraulic motors	Double mechanical drive
Counter blade	HARDOX® counter knives, inside chassis
Hitch	Specific hydraulic third point (Cat 3)
Hydraulic flow/pressure	HLE and HARDOX® steels

Teeth

Single carb tip



OF3

Double carb tip



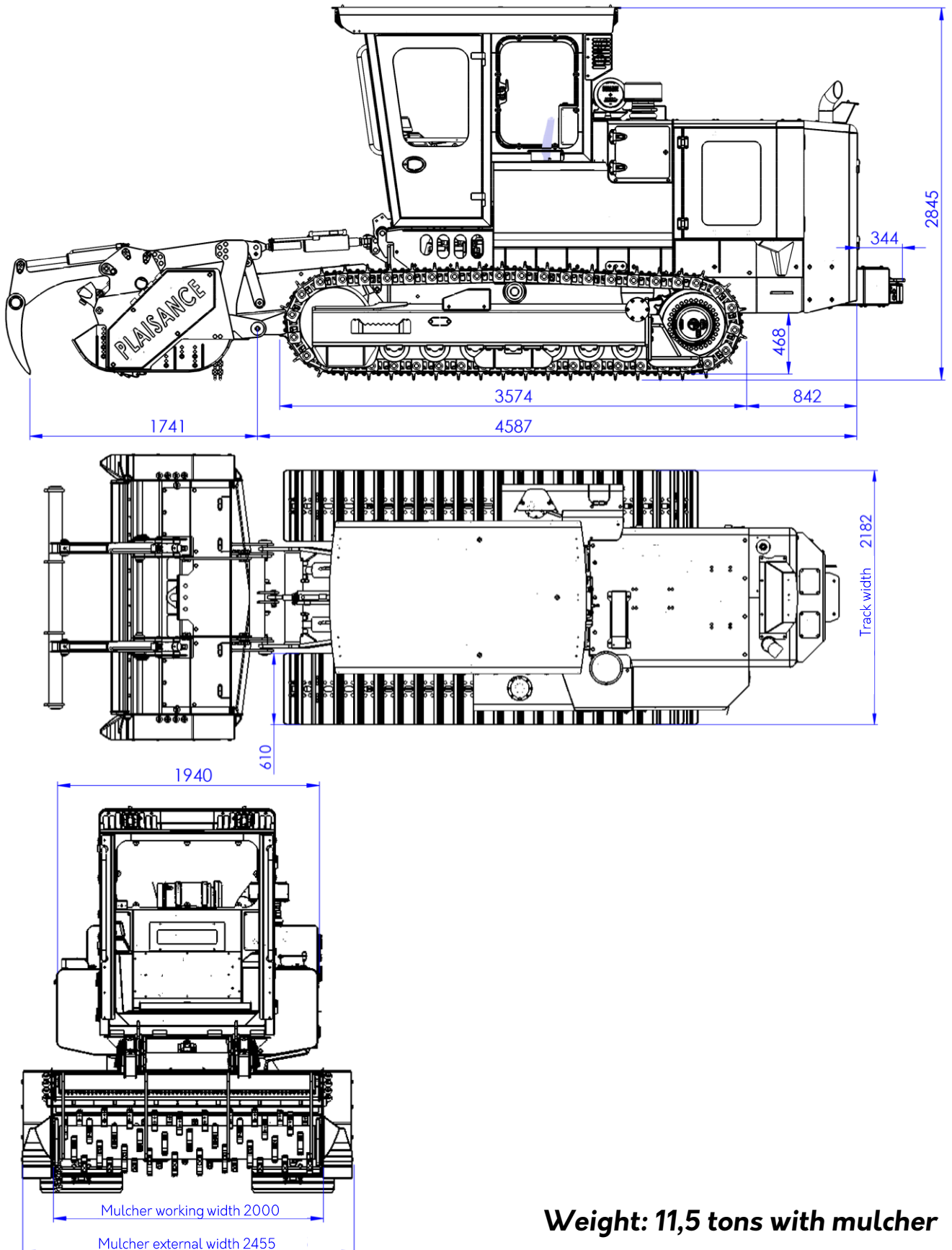
OF11

Single carb tip for stones and materials



OM5

Dimensions (mm)



Weight: 11,5 tons with mulcher



PLAISANCE EQUIPEMENTS
1 Grande rue
54540 MONTIGNY, FRANCE
Tel: +33 3 83 42 15 79

