



TECHNICAL DATASHEET

BSL 602

CONTACT US :

1 Grande rue
54540 MONTIGNY
Tel : +33 (0)3 83 42 15 79

WWW.PLAISANCE-EQUIPEMENTS.COM



BSL 602

GENERAL INFORMATION

Rotor width	850 mm
Rotor diameter	934 mm
Use	Ground crushing
Work depth	150 – 250 mm
Rotation speed	500 rotation/min
Tools	Single carbide tips
Tools position on the rotor	Helical and V positions
Mulcher power accepted	90 to 450 Hp
Mechanical drive	1 polychain belts by side
Curtain of chains	Antiprojection double curtain of chains
Protection door	Hydraulic with one heavy duty cylinder (public works).
Chassis	Full reinforced HARDOX®
Mulcher rolling	Heavy duty roller bearings with double rows of rollers.
Bearings	Mass cut steel bearing.
Ski	HARDOX 450® soles
Protections	Anti-wire cut in mass, bolted and interchangeable.
Hitch	Category 3 or 4 depending the modele.

Tools



Single carb
tip for stones

OF8



Single carb
tip for wood

OF3

THE **STRENGTHS** OF OUR MULCHERS



Saving time: Continuous hydraulic setting of the working depth from the cab thanks to the 3rd hydraulic point.



Profitability: High work flow and low cost of wear parts.



Exceptional blending quality: The hammers helical disposition ensures a homogeneous mix, reduces the power demand and increase the fertility.



Heavy-duty design inspired by Publics Works thanks to the use of high quality materials.



Simplicity and reliability of the kinematics (with few maintenance) allows a profitability gain.



Design in the rules of mechanics.

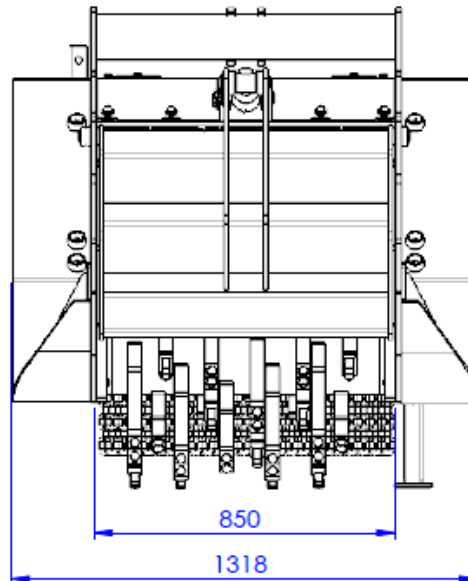
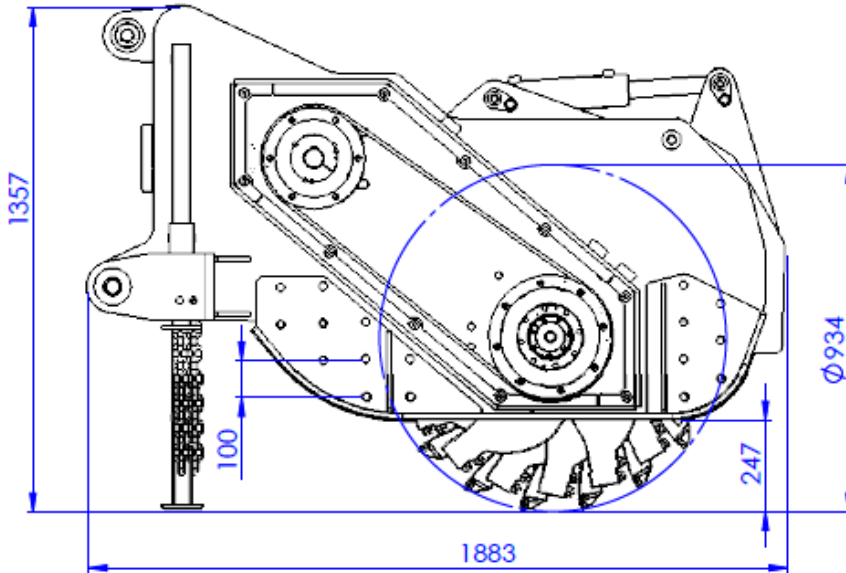


Fuel economy.

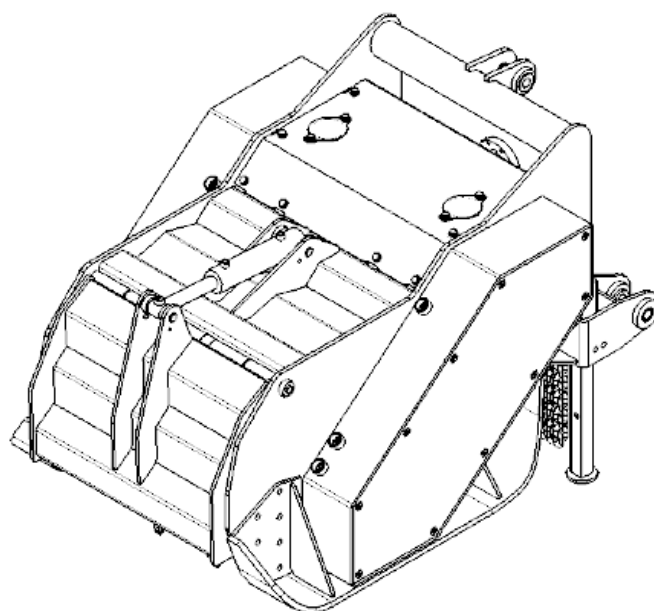


Cost of use per hectare under all competitors.

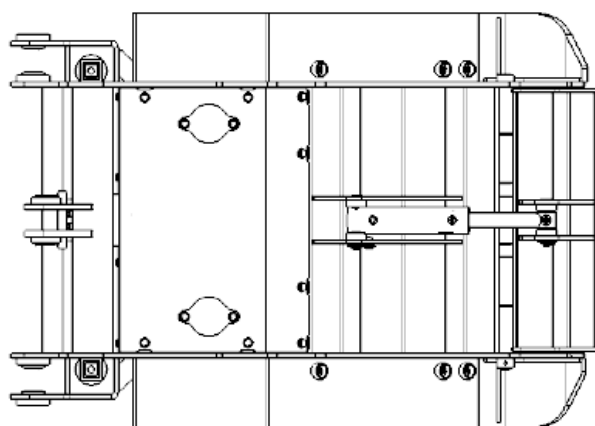
WEIGHT AND DIMENSIONS (Kg and mm)



Illustrations and dimensions are for indication only.
PLAISANCE EQUIPEMENTS reserves the right to modify them without notice.
This plan is the property of PLAISANCE EQUIPEMENTS and may not be reproduced or communicated without permission.
All rights reserved.



Working width (A)	Overall width (B)	Mass
850 mm	1318 mm	2350 Kg



Illustrations and dimensions are for indication only.
 PLAISANCE EQUIPEMENTS reserves the right to modify them without notice.
 This plan is the property of PLAISANCE EQUIPEMENTS and may not be
 reproduced or communicated without permission.
 All rights reserved.

