



TECHNICAL DATASHEET

BS 702

CONTACT US :

1 Grande rue
54540 MONTIGNY
Tel : +33 (0)3 83 42 15 79

WWW.PLAISANCE-EQUIPEMENTS.COM



BS 702

GENERAL INFORMATION

Rotor width	2 m	2,2 m
Rotor diameter	690 mm	
Use	Ground crushing	
Work depth	Until 30 cm	
Tools	Single carbide tips	
Tools position on the rotor	Helical and V positions.	
Mulcher power accepted	180 to 650 Hp	
Mechanical drive	1 Gates® Polychain belts by side	
Curtain of chains	Antiprojection triple curtain of chains	
Protection door	Hydraulic with two (public works) heavy duty cylinders.	
Chassis	Full reinforced HARDOX®	
Mulcher rolling	Heavy duty roller bearings with double rows of rollers.	
Bearings	Mass cut steel bearing.	
Ski	HARDOX 450® soles	
Protections	Anti-wire cut in mass, bolted and interchangeable.	
Hitch	Category 2 or 3 depending the modele.	

Tools



Single carb tip
for stones

OF8



Single carb tip
for wood

OF3

THE **STRENGTHS** OF OUR MULCHERS



Saving time: Continuous hydraulic setting of the working depth from the cab thanks to the 3rd hydraulic point.



Profitability: High work flow and low cost of wear parts.



Exceptional blending quality: The hammers helical disposition ensures a homogeneous mix, reduces the power demand and increase the fertility.



Heavy-duty design inspired by Publics Works thanks to the use of high quality materials.



Simplicity and reliability of the kinematics (with few maintenance) allows a profitability gain.



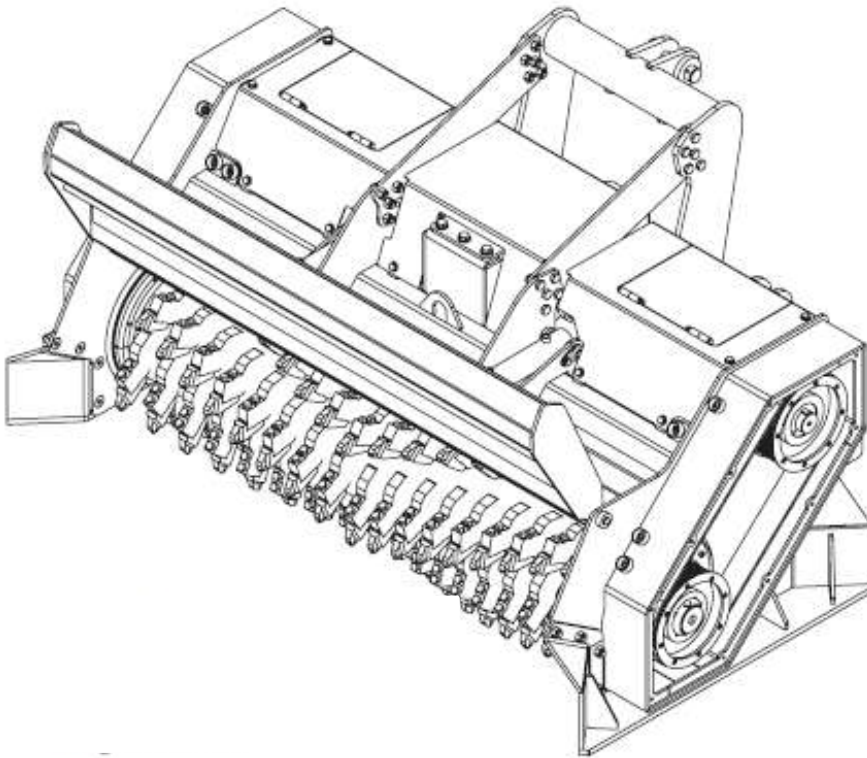
Design in the rules of mechanics.



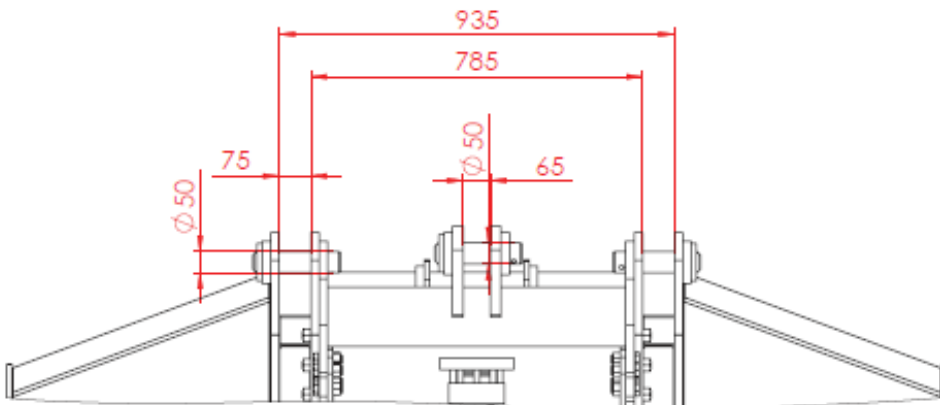
Fuel economy.



Cost of use per hectare under all competitors.



Working width (A)	Overall width (B)	Mass
2000 mm	2400 mm	3390 Kg
2200 mm	2600 mm	3540 Kg



Illustrations and dimensions are for indication only.
 PLAISANCE EQUIPEMENTS reserves the right to modify them without notice.
 This plan is the property of PLAISANCE EQUIPEMENTS and may not be reproduced or communicated without permission.
 All rights reserved.