



PLAISANCE

TECHNICAL DATASHEET

BM 501

CONTACT US:

1 Grande rue
54540 MONTIGNY, France
Tel: +33 3 83 42 15 79



WWW.PLAISANCE-EQUIPEMENTS.COM

BM 501

GENERAL INFORMATION

Rotor width	1,2 m	1,4 m	1,6 m	1,8 m	2 m	2,2 m
Rotor diameter	500 mm					
Use	Stone crushing					
Tools	Single carbide tips					
Tools position on the rotor	Fixed - Helical and V positions.					
Mulcher power accepted	100 to 180 Hp					
Mechanical drive	5 V-belts per side					
Curtain of chains	Antiprojection triple curtain of chains					
Protection door	Hydraulic with two (public works) heavy duty cylinders.					
Box	High tensile steel and HARDOX®					
Rolling	Heavy duty roller bearings with double rows of rollers.					
Bearings	Mass cut steel bearing.					
Ski	HARDOX 450® soles – Height adjustable					
Protections	Anti-wire cut in mass, bolted and interchangeable					
Hitch	Category 2 or 3 depending the modele					

Tools



Single carb tip for stones

OM2

THE **STRENGTHS** OF OUR MULCHERS



Saving time: Continuous hydraulic setting of the working depth from the cab thanks to the 3rd hydraulic point.



Profitability: High work flow and low cost of wear parts.



Exceptional blending quality: The hammers helical disposition ensures a homogeneous mix, reduces the power demand and increase the fertility.



Heavy-duty design inspired by Publics Works thanks to the use of high quality materials.



Simplicity and reliability of the kinematics (with few maintenance) allows a profitability gain.



Design in the rules of mechanics.

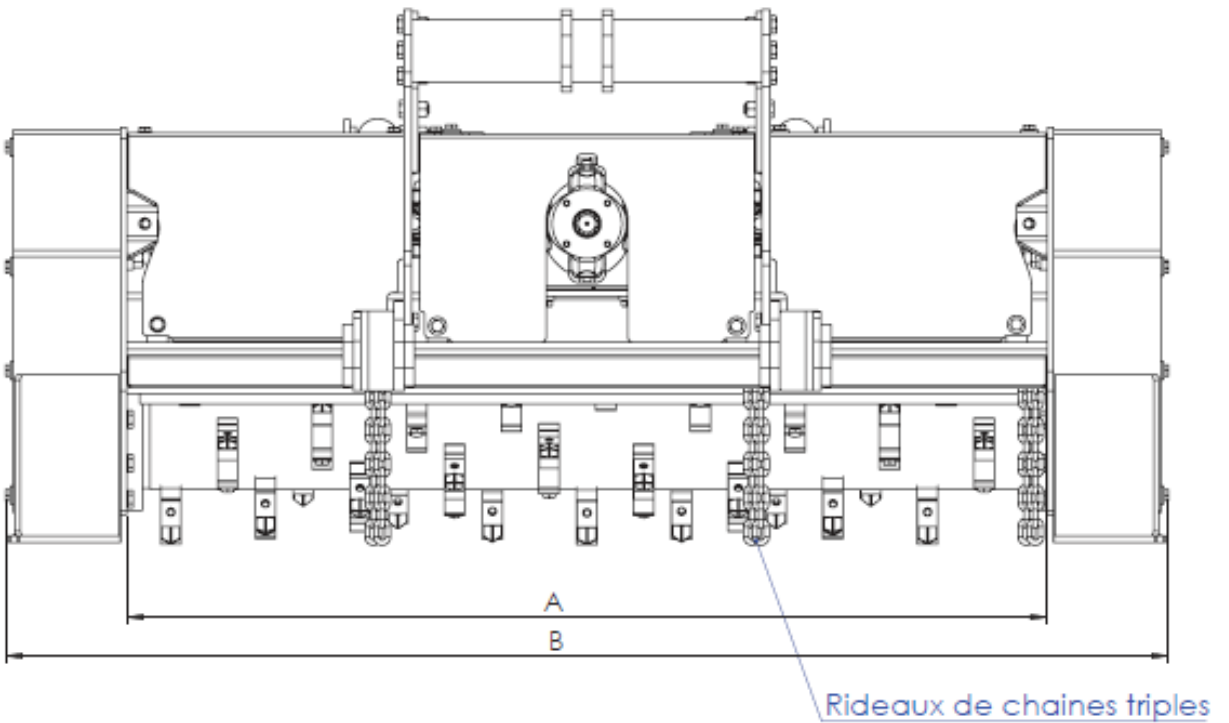
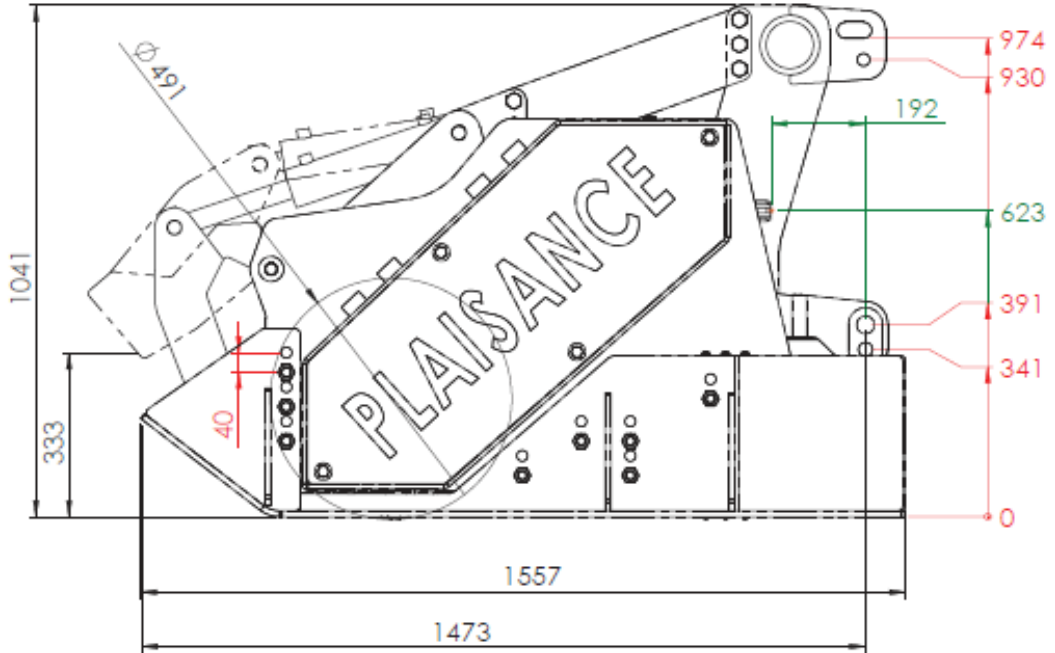


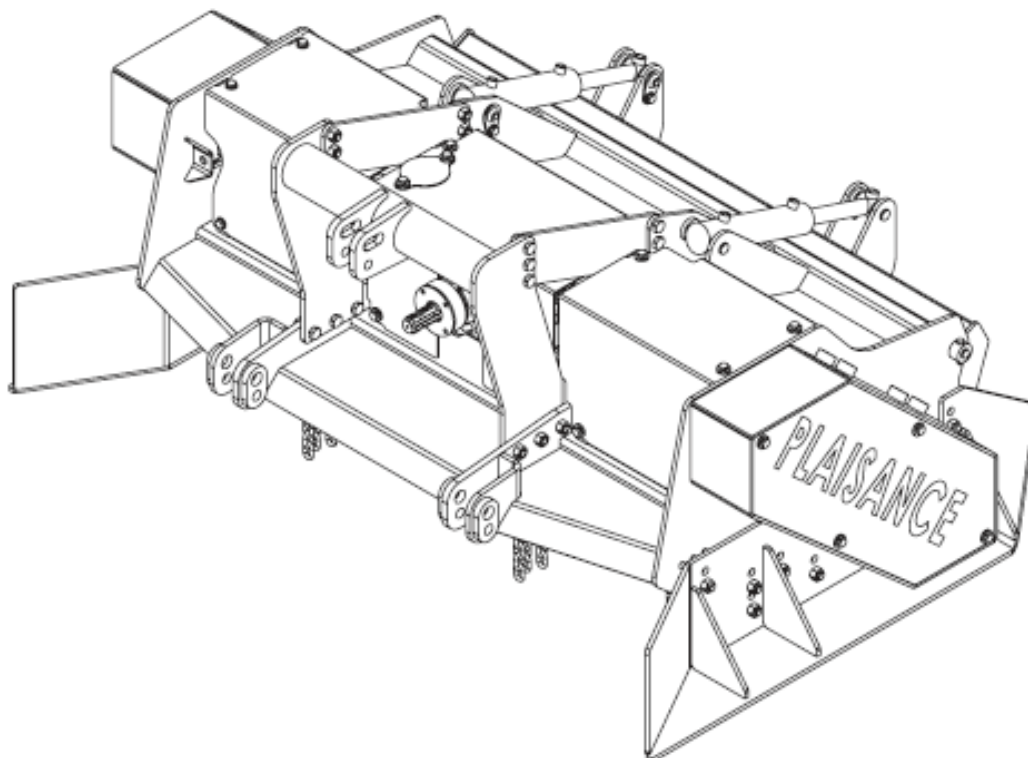
Fuel economy.



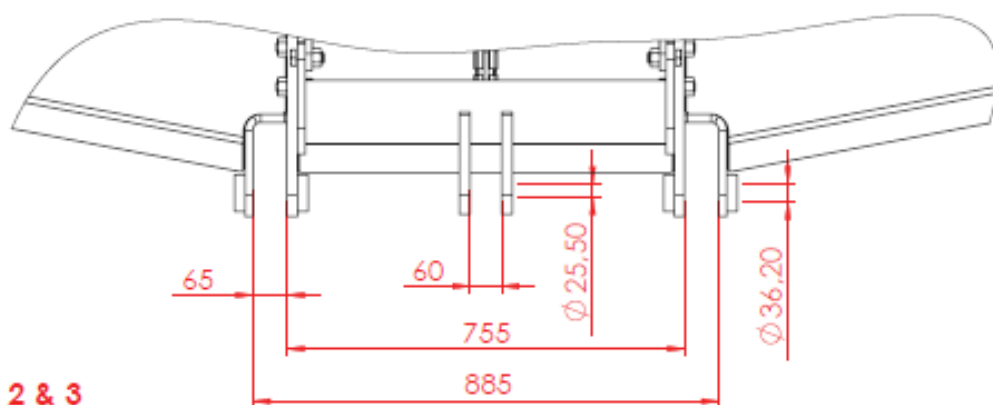
Cost of use per hectare under all competitors.

WEIGHT AND DIMENSIONS (Kg and mm)





Working width (A)	Overall width (B)	Mass
1800 mm	2274 mm	1950 Kg
2000 mm	2474 mm	2150 Kg
2200 mm	2674 mm	2250 Kg



Attelage Cat. 2 & 3

Illustrations and dimensions are for indication only.
 PLAISANCE EQUIPEMENTS reserves the right to modify them without notice.
 This plan is the property of PLAISANCE EQUIPEMENTS and may not be reproduced or communicated without permission.
 All rights reserved.

