



**PLAISANCE**

**TECHNICAL  
DATASHEET**

**BM 401**

CONTACT US :

1 Grande rue  
54540 MONTIGNY  
Tel : +33 (0)3 83 42 15 79



[WWW.PLAISANCE-EQUIPEMENTS.COM](http://WWW.PLAISANCE-EQUIPEMENTS.COM)

# BM 401

## GENERAL INFORMATION

Rotor width	1,2 m	1,3 m	1,5 m
Rotor diameter	500 mm		
Use	Stone crushing		
Tools	Single carbide tips		
Tools position on the rotor	Fixed - Helical and V positions.		
Mulcher power accepted	70 to 120 Hp		
Mechanical drive	4 V-belts		
Curtain of chains	Antiprojection simple curtain of chains		
Protection door	Hydraulic with one (public works) heavy duty cylinder.		
Box	High tensile steel and HARDOX®		
Rolling	Heavy duty roller bearings with double rows of rollers.		
Ski	HARDOX 450® soles – Height adjustable		
Protections	Anti-wire cut in mass, bolted and interchangeable		
Hitch	Category 2 or 3 depending the modele		

## Tools



Single carb tip

OM2

## THE **STRENGTHS** OF OUR MULCHERS



**Saving time:** Continuous hydraulic setting of the working depth from the cab thanks to the 3rd hydraulic point.



**Profitability:** High work flow and low cost of wear parts.



**Exceptional blending quality:** The hammers helical disposition ensures a homogeneous mix, reduces the power demand and increase the fertility.



**Heavy-duty design** inspired by Publics Works thanks to the use of high quality materials.



**Simplicity and reliability of the kinematics** (with few maintenance) allows a profitability gain.



**Design in the rules of mechanics.**

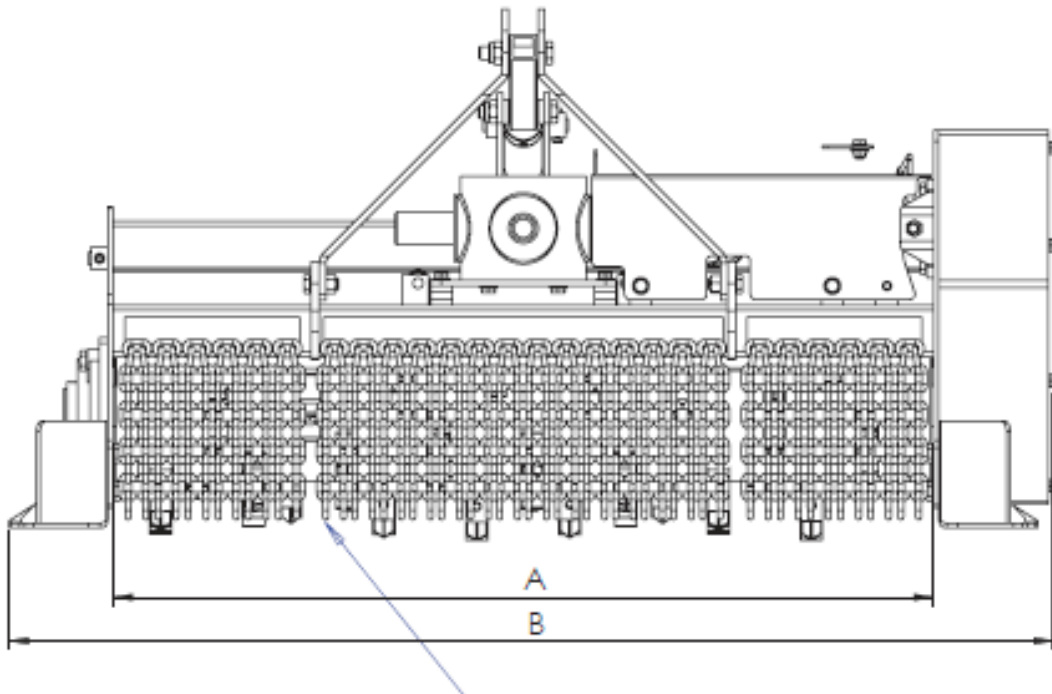
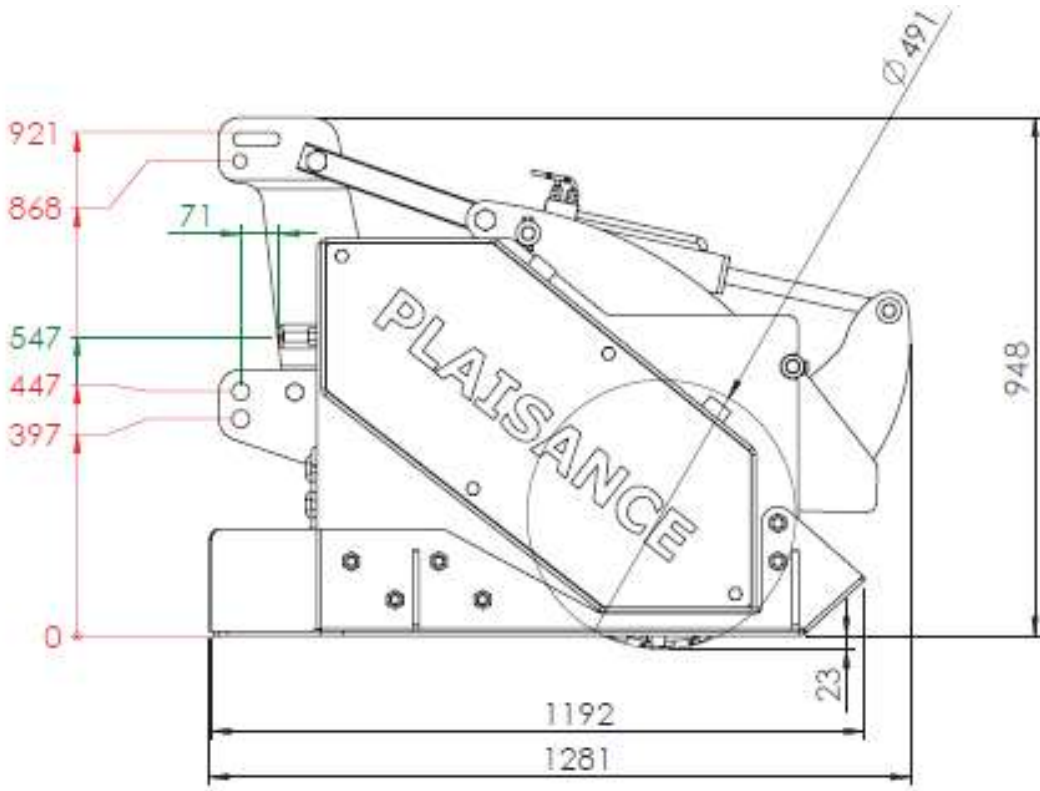


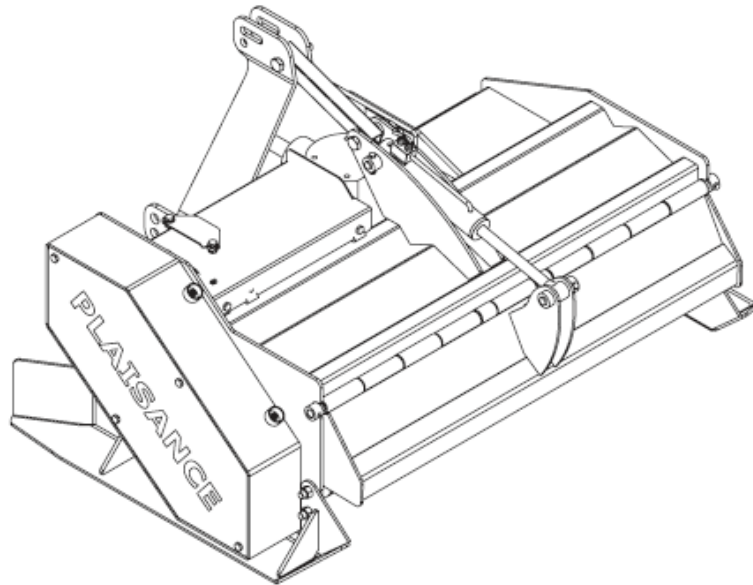
**Fuel economy.**



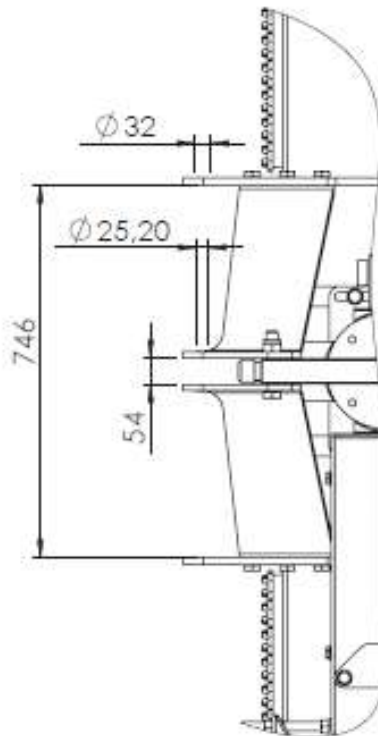
**Cost of use per hectare under all competitors.**

## WEIGHT AND DIMENSIONS (Kg and mm)





Working width (A)	Overall width (B)	Mass
1300 mm	1709 mm	1000 Kg
1500 mm	1909 mm	1100 Kg



**Attelage Cat. 2**

Illustrations and dimensions are for indication only.  
 PLAISANCE EQUIPEMENTS reserves the right to modify them without notice.  
 This plan is the property of PLAISANCE EQUIPEMENTS and may not be reproduced or communicated without permission.  
 All rights reserved.

