



TECHNICAL DATASHEET

BM 702

CONTACT US:

1 Grande rue
54540 MONTIGNY, France
Tel: +33 3 83 42 15 79



WWW.PLAISANCE-EQUIPEMENTS.COM

BM 702

GENERAL INFORMATION

Rotor width	2,2 m	2,5 m	2,7 m	3 m
Rotor diameter	650 mm			
Use	Stone crushing			
Tools	Double carbide tips			
Tools position on the rotor	Fixed - Helical and V positions.			
Mulcher power accepted	300 to 650 Hp			
Mechanical drive	2 GATES® polychain belts			
Curtain of chains	Antiprojection triple curtain of chains			
Protection door	Hydraulic with two (public works) heavy duty cylinders.			
Box	High tensile steel			
Rolling	Heavy duty roller bearings with double rows of rollers.			
Bearings	Mass cut steel bearing.			
Ski	HARDOX 450® soles – Height adjustable			
Protections	Anti-wire cut in mass, bolted and interchangeable			
Hitch	Category 2 or 3 depending the modele			

Tools



For stones

OM4



For wood

OF7

THE **STRENGTHS** OF OUR MULCHERS



Saving time: Continuous hydraulic setting of the working depth from the cab thanks to the 3rd hydraulic point.



Profitability: High work flow and low cost of wear parts.



Exceptional blending quality: The hammers helical disposition ensures a homogeneous mix, reduces the power demand and increase the fertility.



Heavy-duty design inspired by Publics Works thanks to the use of high quality materials.



Simplicity and reliability of the kinematics (with few maintenance) allows a profitability gain.



Design in the rules of mechanics.

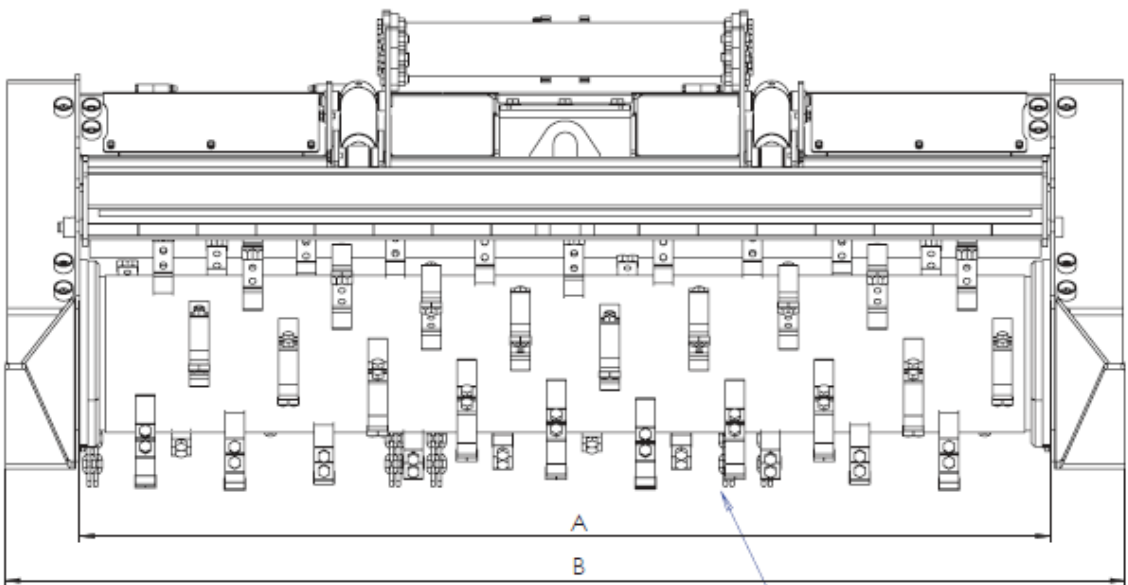
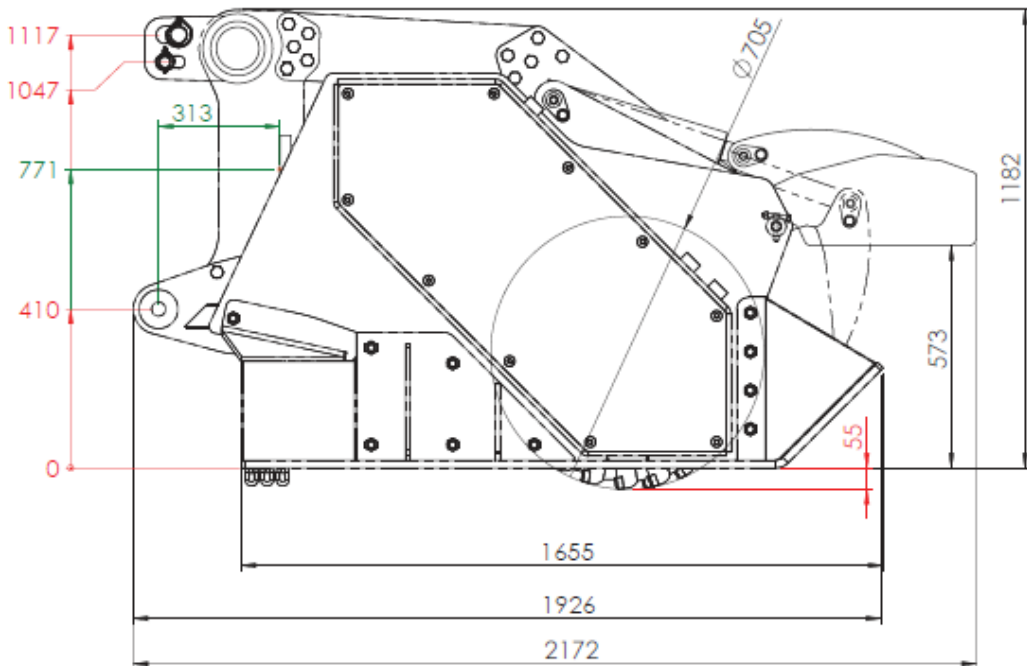


Fuel economy.

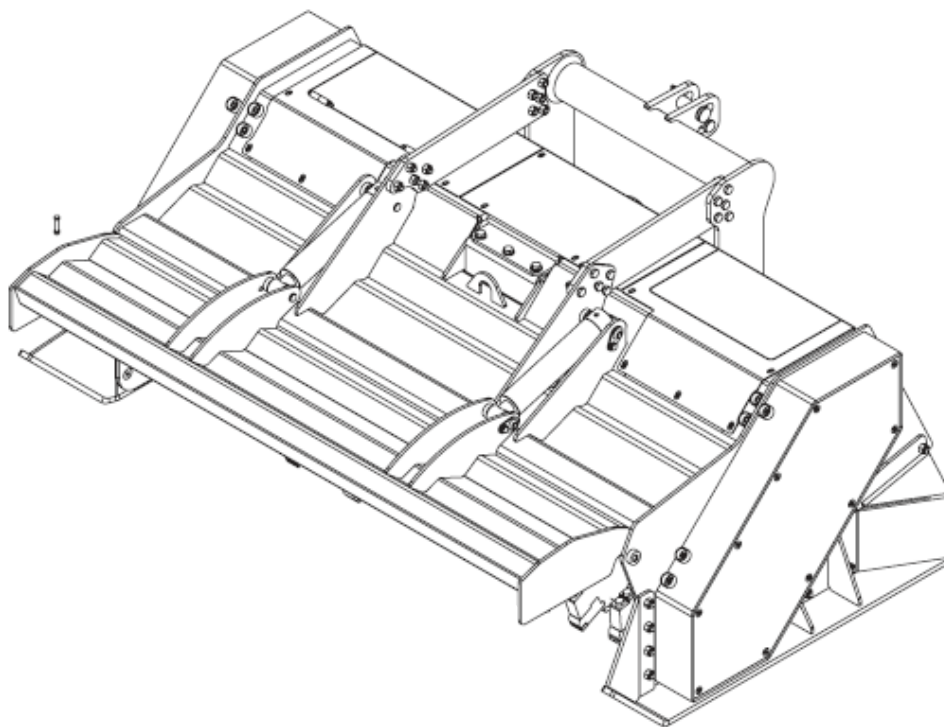


Cost of use per hectare under all competitors.

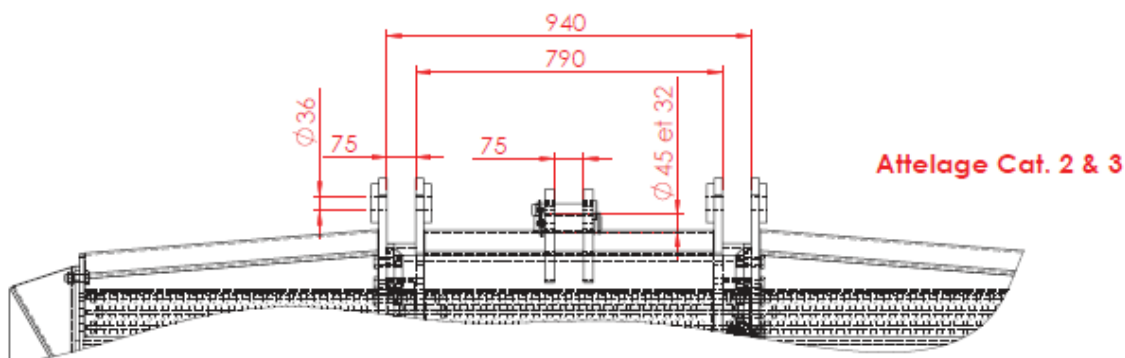
WEIGHT AND DIMENSIONS (Kg and mm)



Rideaux de chaînes triples



Working width (A)	Overall width (B)	Mass
2200 mm	2575 mm	4600 Kg
2500 mm	2875 mm	4900 Kg
2700 mm	3075 mm	5145 Kg
3000 mm	3375 mm	5500 Kg



Illustrations and dimensions are for indication only.
 PLAISANCE EQUIPEMENTS reserves the right to modify them without notice.
 This plan is the property of PLAISANCE EQUIPEMENTS and may not be reproduced or communicated without permission.
 All rights reserved.

