



TECHNICAL DATASHEET

BM 600

CONTACT US :

1 Grande rue
54540 MONTIGNY
Tel : +33 (0)3 83 42 15 79

WWW.PLAISANCE-EQUIPEMENTS.COM



BM 600

GENERAL INFORMATION

Rotor width	2 m	2,2 m	2,5 m
Rotor diameter	600 mm		
Use	Stone crushing		
Tools	Double carbide tips		
Tools position on the rotor	Fixed - Helical and V positions.		
Mulcher power accepted	170 to 350 Hp		
Mechanical drive	6 V-belts by side		
Curtain of chains	Antiprojection double curtain of chains		
Protection door	Hydraulic with two (public works) heavy duty cylinders.		
Chassis	Full HARDOX®		
Rolling	Heavy duty roller bearings with double rows of rollers.		
Bearings	Mass cut steel bearing.		
Ski	HARDOX 450® soles – Height adjustable (3 positions)		
Protections	Anti-wire cut in mass, bolted and interchangeable		
Hitch	Category 2 or 3 depending the modele		

Tools



For stones

OM4



For wood

OF7

THE **STRENGTHS** OF OUR MULCHERS



Saving time: Continuous hydraulic setting of the working depth from the cab thanks to the 3rd hydraulic point.



Profitability: High work flow and low cost of wear parts.



Exceptional blending quality: The hammers helical disposition ensures a homogeneous mix, reduces the power demand and increase the fertility.



Heavy-duty design inspired by Publics Works thanks to the use of high quality materials.



Simplicity and reliability of the kinematics (with few maintenance) allows a profitability gain.



Design in the rules of mechanics.

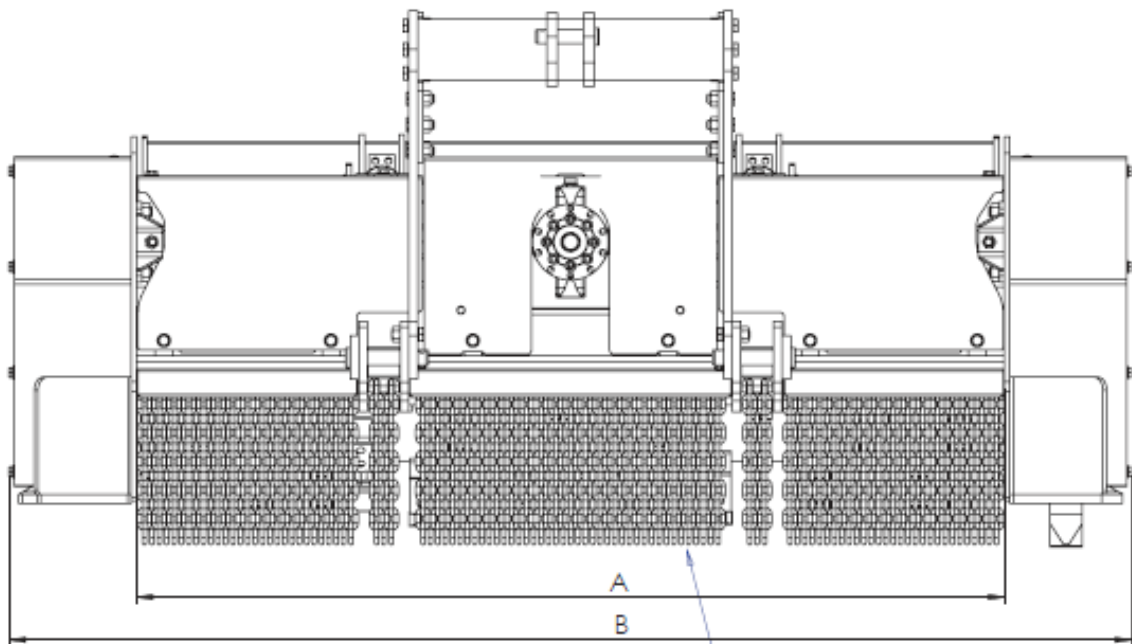
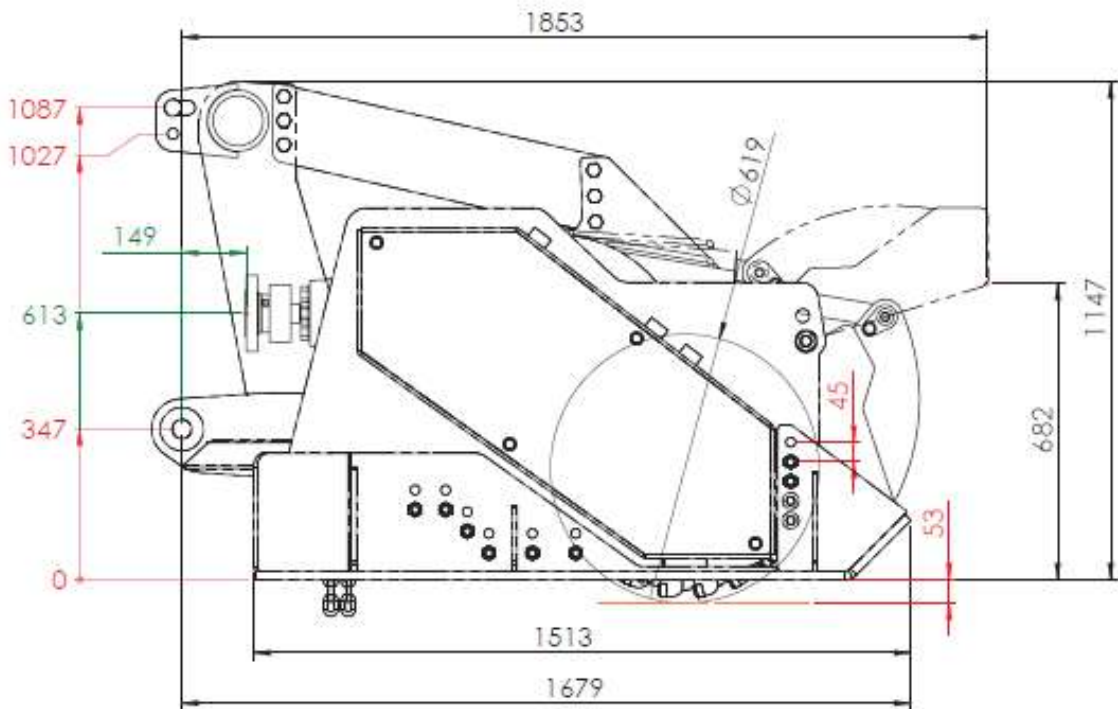


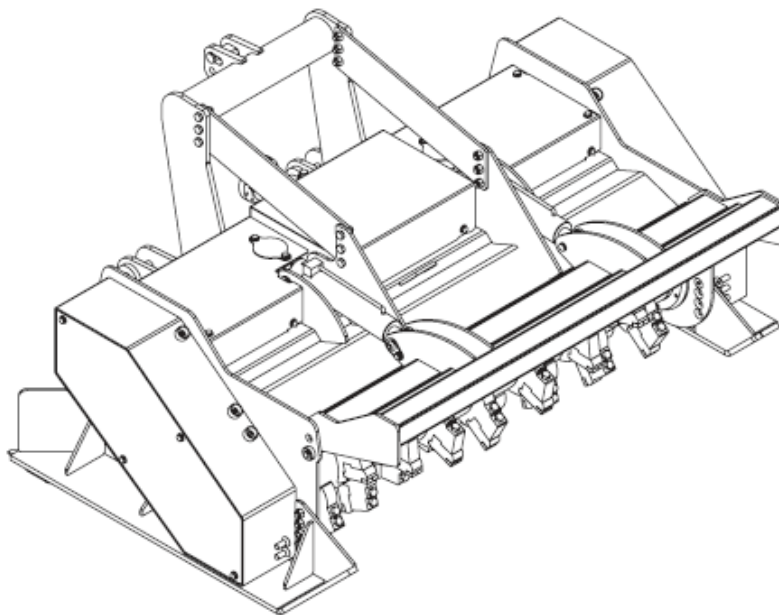
Fuel economy.



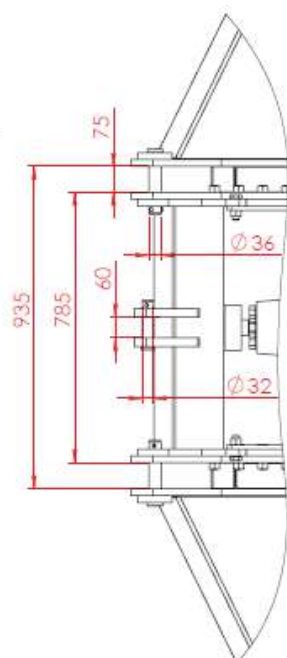
Cost of use per hectare under all competitors.

WEIGHT AND DIMENSIONS (Kg and mm)





Working width (A)	Overall width (B)	Mass
2000 mm	2586 mm	2850 Kg
2200 mm	2786 mm	2940 Kg
2500 mm	3086 mm	3090 Kg



Attelage Cat. 2 & 3

Illustrations and dimensions are for indication only.
 PLAISANCE EQUIPEMENTS reserves the right to modify them without notice.
 This plan is the property of PLAISANCE EQUIPEMENTS and may not be reproduced or communicated without permission.
 All rights reserved.

