



TECHNICAL DATASHEET

BM 550

CONTACT US :

1 Grande rue
54540 MONTIGNY
Tel : +33 (0)3 83 42 15 79



WWW.PLAISANCE-EQUIPEMENTS.COM

BM 550

GENERAL INFORMATION

Rotor width	1,6 m	1,8 m	2 m	2,2 m
Rotor diameter	500 mm			
Use	Stone crushing			
Tools	Single carbide tips			
Tools position on the rotor	Fixed - Helical and V positions.			
Mulcher power accepted	110 to 350 Hp			
Mechanical drive	6 V-belts or 1 Gates® Polychain belts by side			
Curtain of chains	Antiprojection double curtain of chains			
Protection door	Hydraulic with two (public works) heavy duty cylinders.			
Chassis	Full HARDOX®			
Rolling	Heavy duty roller bearings with double rows of rollers.			
Bearings	Mass cut steel bearing.			
Ski	HARDOX 450® soles – Height adjustable (3 positions)			
Protections	Anti-wire cut in mass, bolted and interchangeable			
Hitch	Category 2 or 3 depending the modele			

Tools



For stones

OM5



For wood

OF11

THE **STRENGTHS** OF OUR MULCHERS



Saving time: Continuous hydraulic setting of the working depth from the cab thanks to the 3rd hydraulic point.



Profitability: High work flow and low cost of wear parts.



Exceptional blending quality: The hammers helical disposition ensures a homogeneous mix, reduces the power demand and increase the fertility.



Heavy-duty design inspired by Publics Works thanks to the use of high quality materials.



Simplicity and reliability of the kinematics (with few maintenance) allows a profitability gain.



Design in the rules of mechanics.

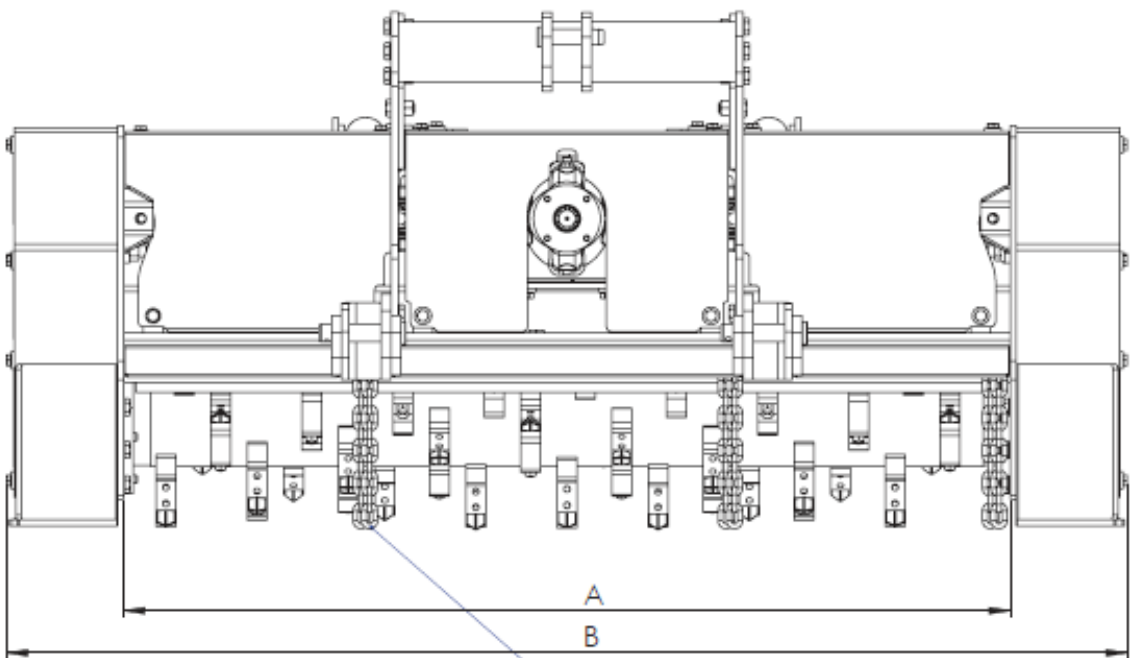
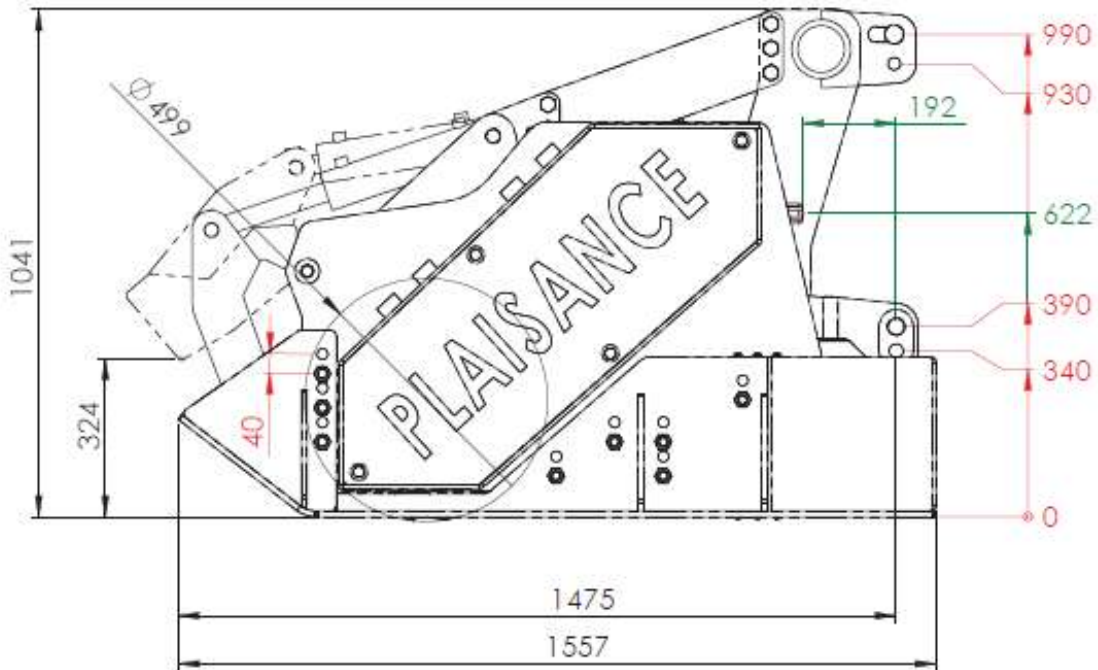


Fuel economy.

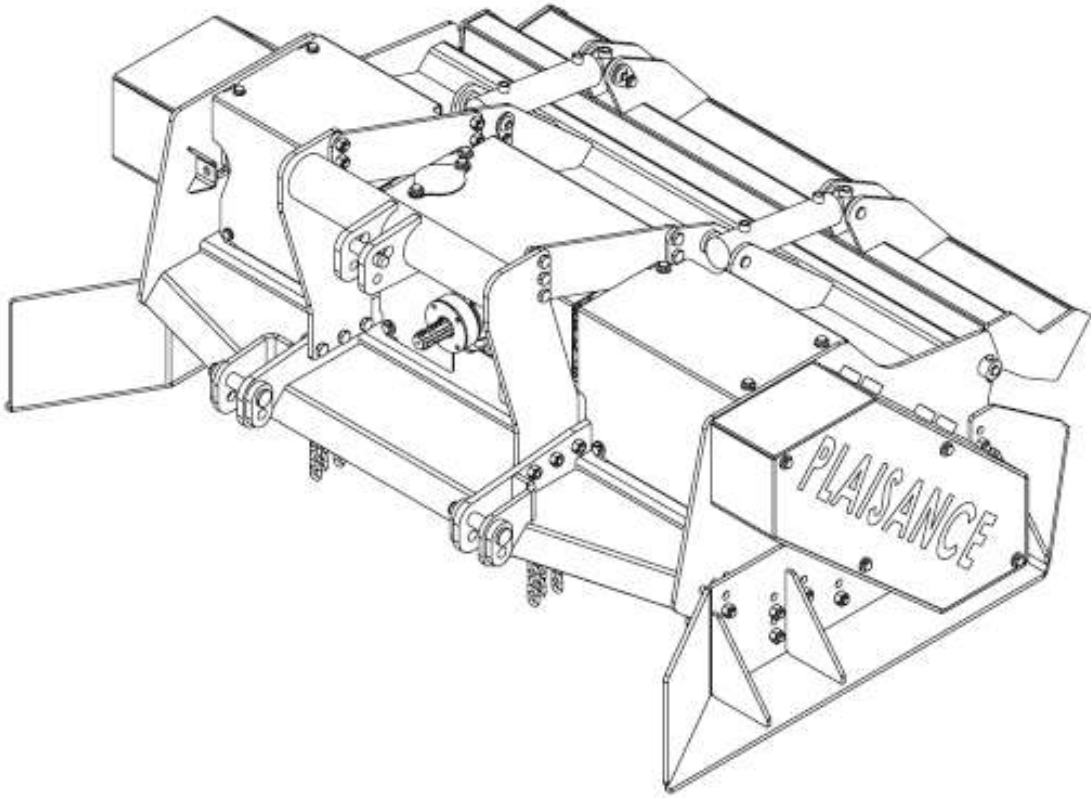


Cost of use per hectare under all competitors.

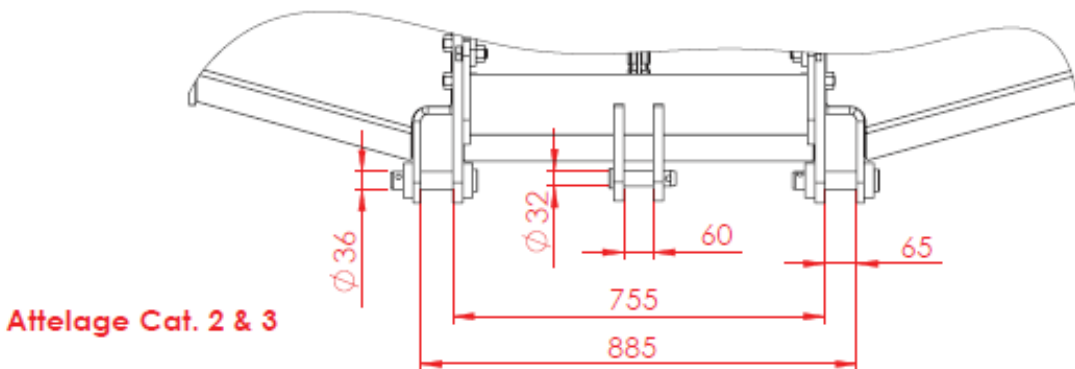
WEIGHT AND DIMENSIONS (Kg and mm)



Rideaux de chaînes doubles



Working width (A)	Overall width (B)	Mass
1800 mm	2295 mm	1920 Kg
2000 mm	2495 mm	2050 Kg
2200 mm	2695 mm	2160 Kg



Illustrations and dimensions are for indication only.
 PLAISANCE EQUIPEMENTS reserves the right to modify them without notice.
 This plan is the property of PLAISANCE EQUIPEMENTS and may not be reproduced or communicated without permission.
 All rights reserved.

