



TECHNICAL DATASHEET BFH 401

CONTACT US :

1 Grande rue
54540 MONTIGNY
Phone: +33 (0)3 83 42 15 79

WWW.PLAISANCE-EQUIPEMENTS.COM



BFH 401

GENERAL INFORMATION

Rotor width	1 m 1,2 m 1,5 m
Rotor diameter	500 mm
Use	Mulching (hydraulic excavator).
Tools	Double carbide tips ; single carbide tips or special tools.
Tools position on the rotor	Helical and V positions.
Tonnage accepted excavator	14 to 35 tonnes.
Mechanical drive	51 Gates® Polychain belts.
Curtain of chains	Simple curtain of chains.
Protection door	Hydraulic with one (public works) heavy duty cylinders.
Safety	Anti-shock, anti-cavitation valves.
Rolling	Heavy duty roller bearings with double rows of rollers. Made with mass cut steel bearing.
Ski	HARDOX 450® soles.
Protections	Anti-wire cut mass.
Bearings	Mass cut steel bearing.
Hydraulic engine	HYDRO LEDUC, Engine capacity to be defined according to excavator output.
Counter blade	HARDOX® counter knives, inside chassis.
Hitch	According customer's plan.
Chassis	HLE steel.
Flow	We will adapt the hydraulic motor to your flow rates and pressures to optimise the power and achieve optimum performance.

Tools



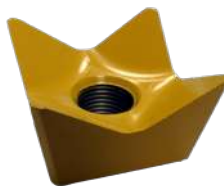
OF5

Single carb tip
(Option)



OF6

Double carb tip



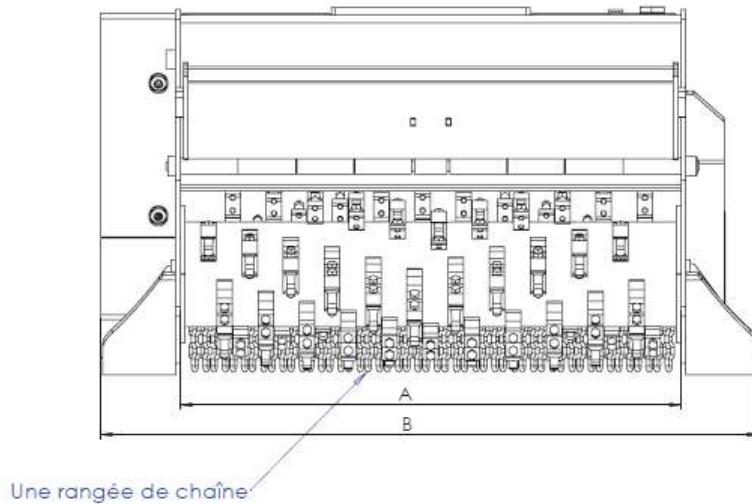
MX1

Special tools

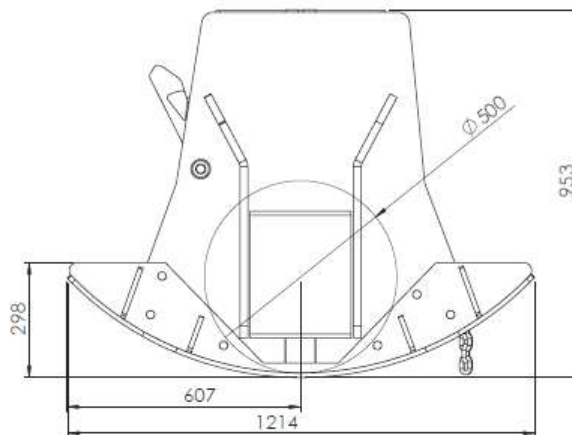


MX2

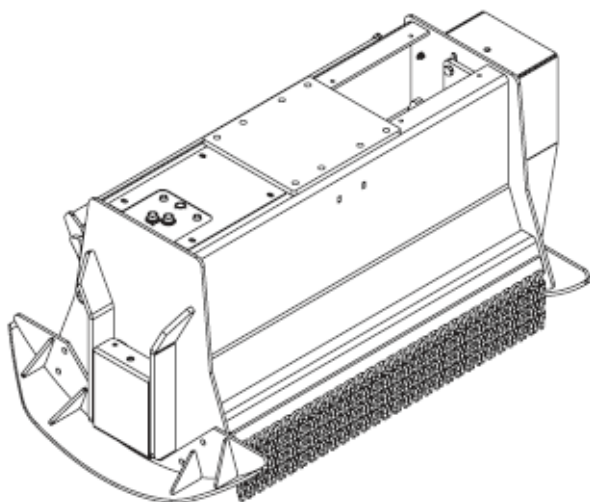
WEIGHT AND DIMENSIONS (Kg and mm)



Illustrations and dimensions are for indication only.
 PLAISANCE EQUIPEMENTS reserves the right to modify them without notice.
 This plan is the property of PLAISANCE EQUIPEMENTS and may not be reproduced
 or communicated without permission.
 All rights reserved.



Work width (A)	Overall width (B)	Weight
1000 mm	1410 mm	1050 Kg
1200 mm	1610 mm	1120 Kg
1300 mm	1710 mm	1205 Kg
1500 mm	1910 mm	1300 Kg



Illustrations and dimensions are for indication only.
PLAISANCE EQUIPEMENTS reserves the right to modify them without notice.
This plan is the property of PLAISANCE EQUIPEMENTS and may not be reproduced or communicated without permission.
All rights reserved.

