



# TECHNICAL DATASHEET BFH 351

CONTACT US :

1 Grande rue  
54540 MONTIGNY  
Phone: +33 (0)3 83 42 15 79



[WWW.PLAISANCE-EQUIPEMENTS.COM](http://WWW.PLAISANCE-EQUIPEMENTS.COM)

# BFH 351

## EXCAVATOR'S FORESTRY MULCHER

<b>Rotor width</b>	1 m	1,2 m
<b>Rotor diameter</b>	470 mm	
<b>Use</b>	Forestry mulching on hydraulic excavator	
<b>Teeth</b>	Fixed – Double carbide tips ; single carbide tips ; or special MX teeth	
<b>Tools position on the rotor</b>	Helical and V positions	
<b>Excavator weight</b>	11 to 18 tons	
<b>Side belt transmission to rotor</b>	1 Continental® Eagle belt	
<b>Curtain of chains</b>	1 curtain of chains	
<b>Protection door</b>	Hydraulic with 1 heavy duty cylinder	
<b>Safety/Hydraulic motor</b>	Anti-cavitation valves	
<b>Rolling bearings</b>	Heavy duty roller bearings with double rows of rollers. Made with mass cut steel bearing	
<b>Ski</b>	Hardox 450® soles	
<b>Rotor protections</b>	Anti-wire, bolted and interchangeable cut in mass, chains and metal sheet antiprojections	
<b>Roller bearings holders</b>	Mass cut steel bearing	
<b>Hydraulic motor</b>	Hydro Leduc hydraulic motor to be defined according to excavator flow and pressure	
<b>Counter blade</b>	Hardox 450 ® counter knives, inside chassis.	
<b>Excavator link/Attachment</b>	According to customer drawing	
<b>Mulcher frame</b>	High elastic limit frame steel capacity	
<b>Hydraulic flow/Pressure</b>	<b>We will adapt the hydraulic motor to your flow rates and pressures to optimize the power and achieve optimum performance</b>	

## Tools



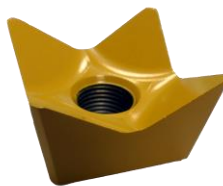
OF5

Single carb tip (Option)



OF6

Double carb tip



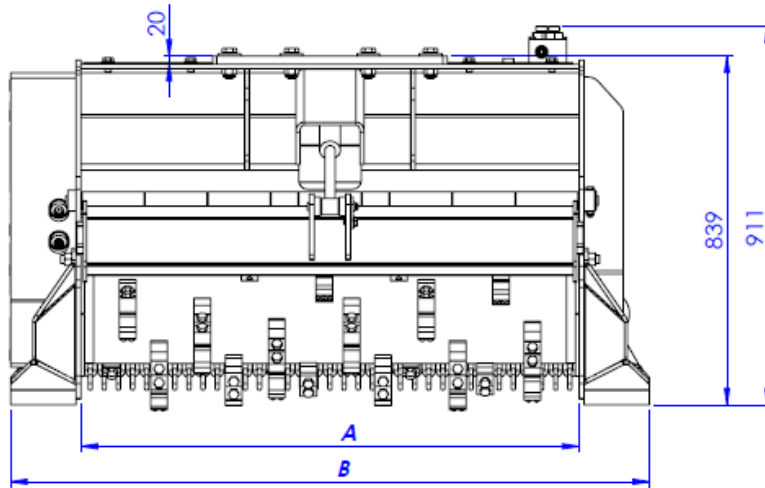
MX1

Special tools

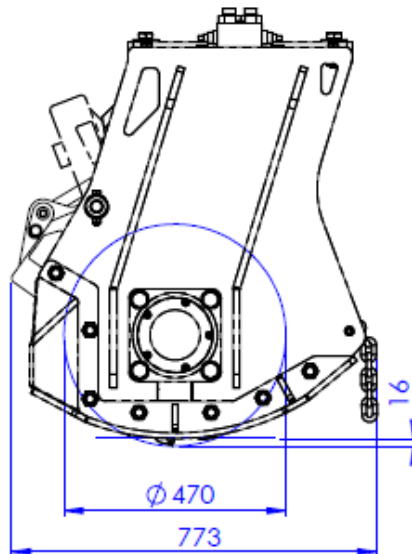


MX2

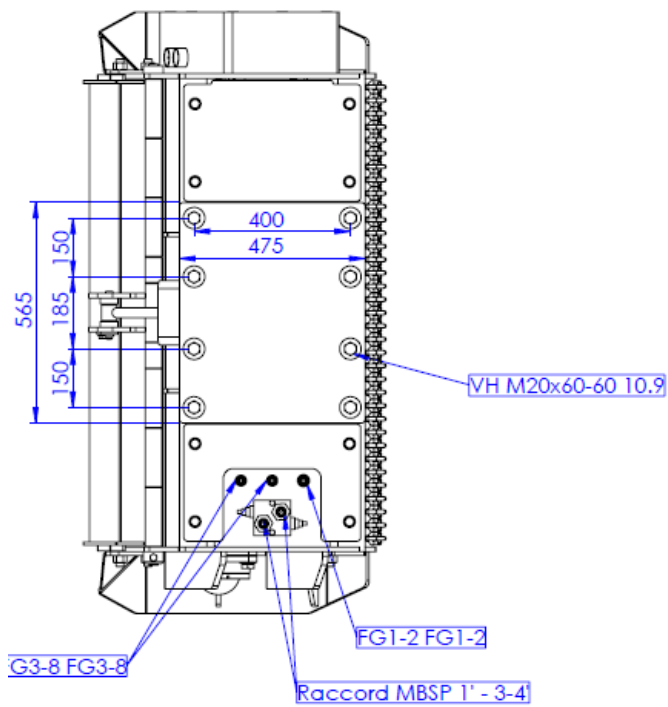
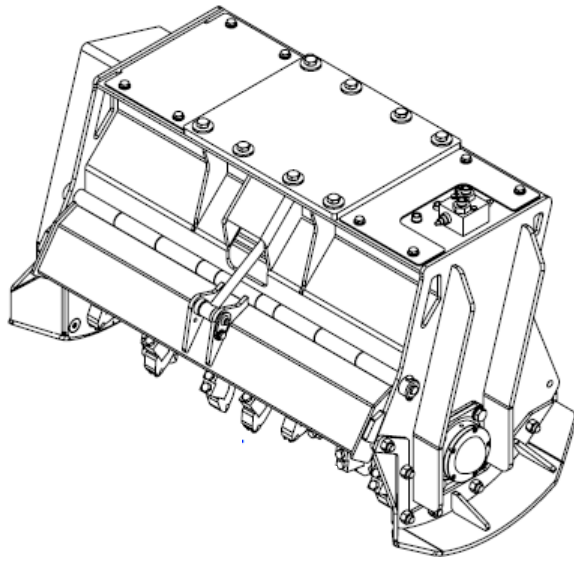
## **WEIGHT / DIMENSIONS (Kg and mm)**



<b>Working width (A)</b>	<b>Overall width (B)</b>	<b>Weight</b>
1000 mm	1340 mm	690 Kg
1200 mm	1540 mm	790 Kg



Illustrations and dimensions are for indication only.  
 PLAISANCE EQUIPEMENTS reserves the right to modify them without notice.  
 This plan is the property of PLAISANCE EQUIPEMENTS and may not be reproduced or communicated without permission.  
 All rights reserved.



Illustrations and dimensions are for indication only.  
 PLAISANCE EQUIPEMENTS reserves the right to modify them without notice.  
 This plan is the property of PLAISANCE EQUIPEMENTS and may not be reproduced or communicated without permission.  
 All rights reserved.



**PLAISANCE EQUIPEMENTS**  
1 Grande rue  
54540 MONTIGNY  
Tél : 03 83 42 15 79

