



TECHNICAL DATASHEET BFH 351

CONTACT US :

1 Grande rue
54540 MONTIGNY
Phone: +33 (0)3 83 42 15 79



WWW.PLAISANCE-EQUIPEMENTS.COM

BFH 351

GENERAL INFORMATION

Rotor width	1 m	1,2 m
Rotor diameter	470 mm	
Use	Mulching (hydraulic excavator).	
Tools	Fixed – Double carbide tips ; single carbide tips ; or special tools.	
Tools position on the rotor	Helical and V positions.	
Tonnage accepted excavator	11 to 20 tonnes.	
Mechanical drive	1 Gates® Polychain belts.	
Curtain of chains	Simple curtain of chains.	
Protection door	Hydraulic with two (public works) heavy duty cylinders.	
Safety	Anti-shock, anti-cavitation valves.	
Rolling	Heavy duty roller bearings with double rows of rollers. Made with mass cut steel bearing.	
Ski	HARDOX 450® soles.	
Protections	Anti-wire, bolted and interchangeable cut in mass, chains and metal sheet antiprojections.	
Bearings	Mass cut steel bearing.	
Hydraulic engine	HYDRO LEDUC Engine capacity to be defined according to excavator output.	
Counter blade	HARDOX® counter knives, inside chassis.	
Hitch	According customer's plan.	
Chassis	HLE and HARDOX® steels.	
Flow	We will adapt the hydraulic motor to your flow rates and pressures to optimise the power and achieve optimum performance.	

Tools



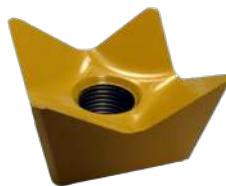
OF5

Single carb tip (Option)



OF6

Double carb tip



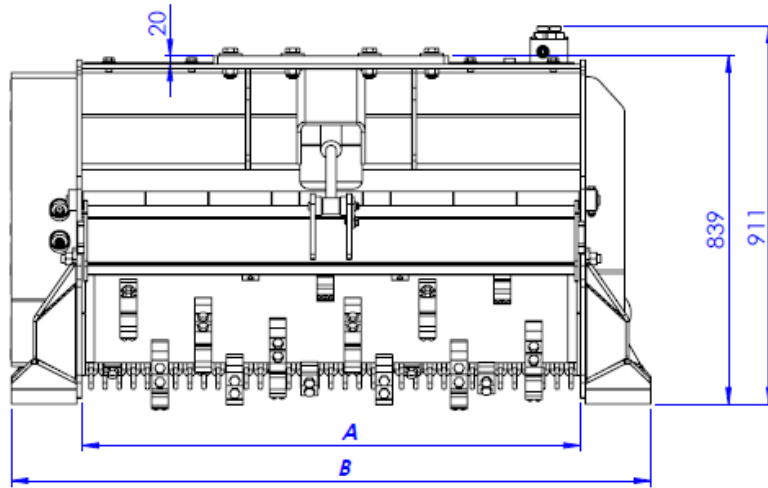
MX1

Special tools

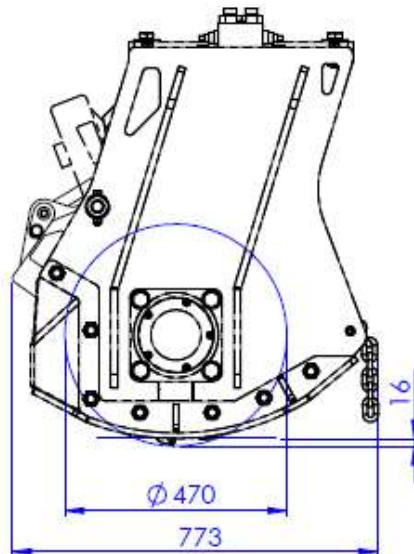


MX2

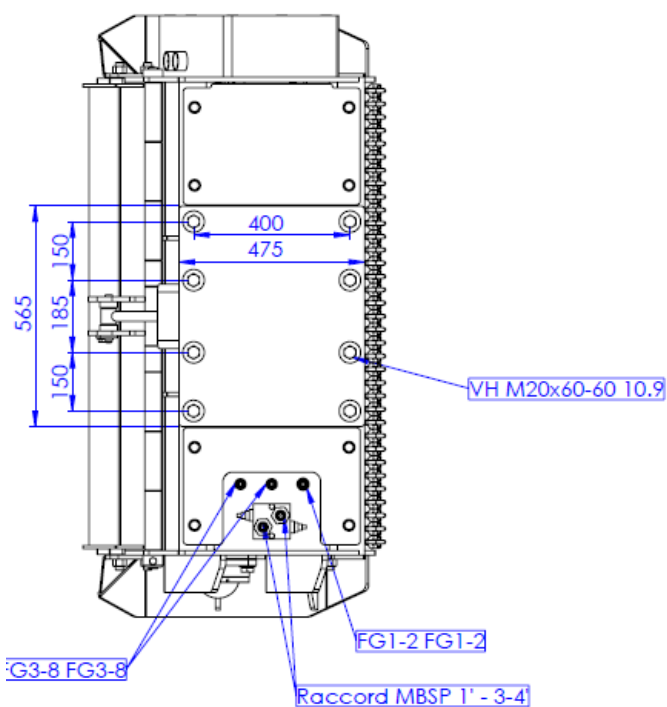
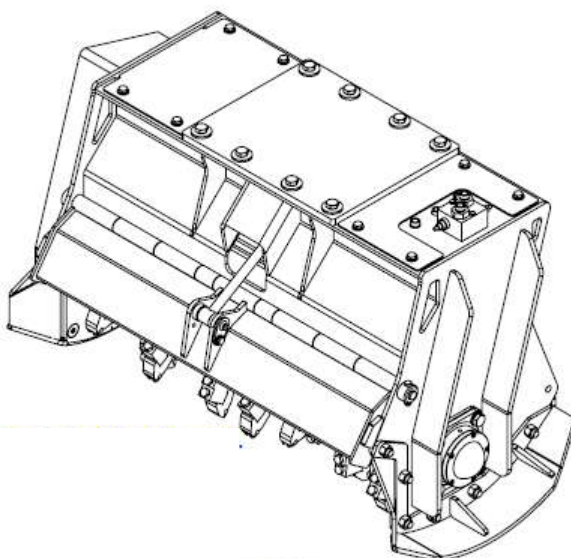
WEIGHT / DIMENSIONS (Kg and mm)



Working width (A)	Overall width (B)	Weight
1000 mm	1340 mm	690 Kg
1200 mm	1540 mm	790 Kg



Illustrations and dimensions are for indication only.
 PLAISANCE EQUIPEMENTS reserves the right to modify them without notice.
 This plan is the property of PLAISANCE EQUIPEMENTS and may not be reproduced or communicated without permission.
 All rights reserved.



Illustrations and dimensions are for indication only.
 PLAISANCE EQUIPEMENTS reserves the right to modify them without notice.
 This plan is the property of PLAISANCE EQUIPEMENTS and may not be reproduced or communicated without permission.
 All rights reserved.



PLAISANCE EQUIPEMENTS
1 Grande rue
54540 MONTIGNY
Tél : 03 83 42 15 79

