



# TECHNICAL DATASHEET

## BFH 301

CONTACT US :

1 Grande rue  
54540 MONTIGNY  
Phone: +33 (0)3 83 42 15 79

[WWW.PLAISANCE-EQUIPEMENTS.COM](http://WWW.PLAISANCE-EQUIPEMENTS.COM)



# BFH 301

## EXCAVATOR'S FORESTRY MULCHER

<b>Rotor width</b>	0,8 m	1 m	1,2 m
<b>Rotor diameter</b>	410 mm		
<b>Use</b>	Forestry mulching on hydraulic excavator or spider excavator		
<b>Teeth</b>	Double carbide tips ; single carbide tips ; or special steel teeth		
<b>Tools position on the rotor</b>	Helical and V positions		
<b>Excavator weight</b>	8 to 14 tons + spider excavators models		
<b>Side belt transmission to rotor</b>	1 Continental® Eagle belt		
<b>Curtain of chains</b>	1 curtain of chains		
<b>Protection door</b>	Hydraulic with one heavy duty cylinder		
<b>Safety/Hydraulic motor</b>	Anti-shock, anti-cavitation valves		
<b>Roller bearings</b>	Heavy duty roller bearings with double rows of rollers		
<b>Ski</b>	HARDOX 450® soles		
<b>Rotor protections</b>	Anti-wire (mass cut)		
<b>Roller bearings holders</b>	Mass cut steel bearing casing		
<b>Hydraulic motor</b>	HYDRO LEDUC, hydraulic motor capacity to be defined according to excavator output		
<b>Counter blade</b>	HARDOX® counter knives, inside chassis		
<b>Excavator link/attachment</b>	According customer's plan		
<b>Mulcher frame</b>	High elastic limit steel frame capacity		
<b>Hydraulic flow/pressure</b>	We will adapt the hydraulic motor to your flow rates and pressures to optimize the power and achieve optimum performance.		

## Teeth



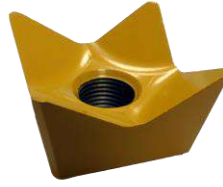
OF5

Single carb tip  
(Option)



OF6

Double carb tip



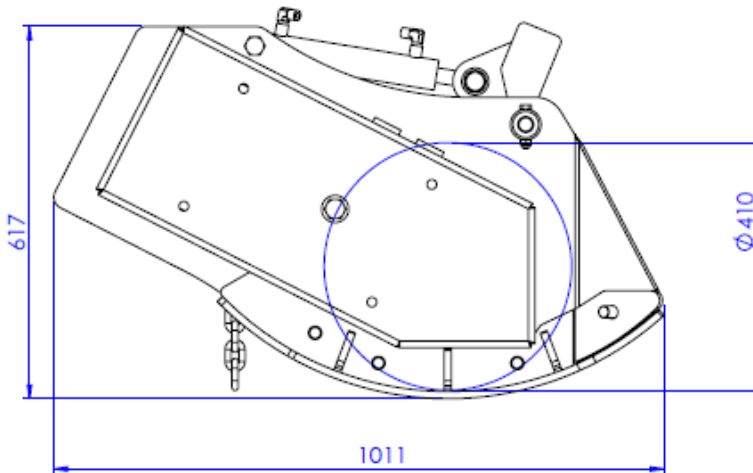
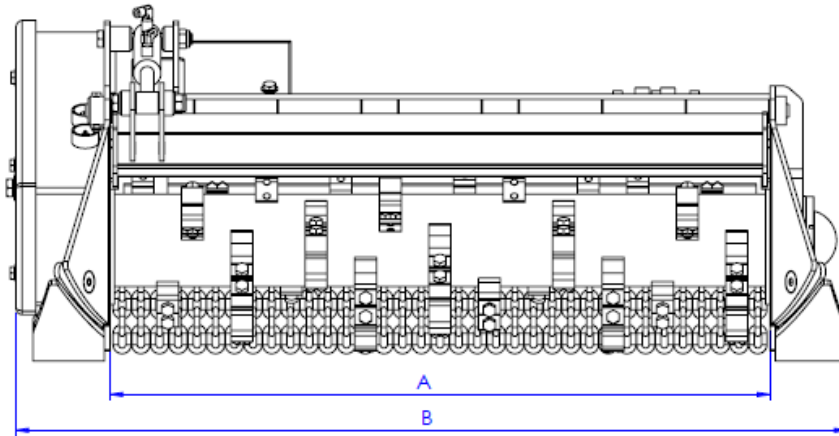
MX1

Special tools

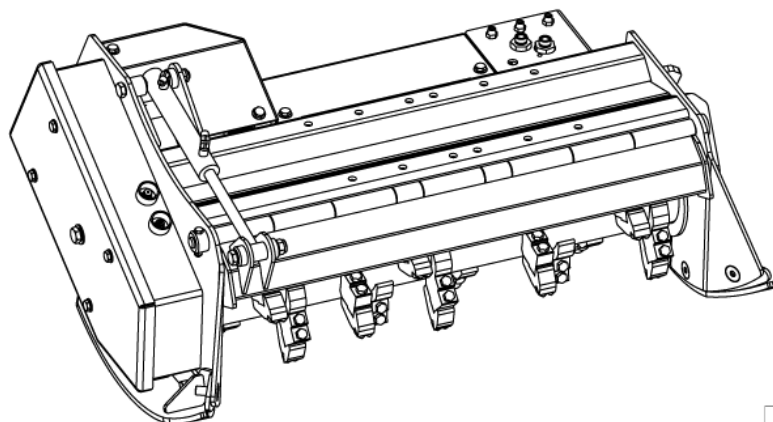


MX2

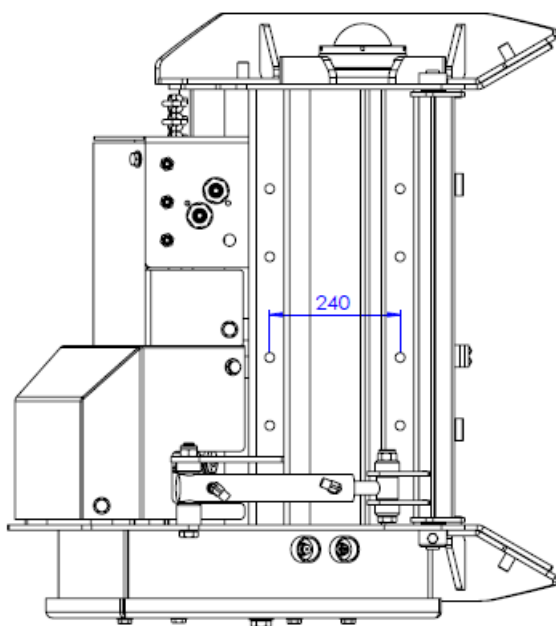
## **WEIGHT AND DIMENSIONS (Kg and mm)**



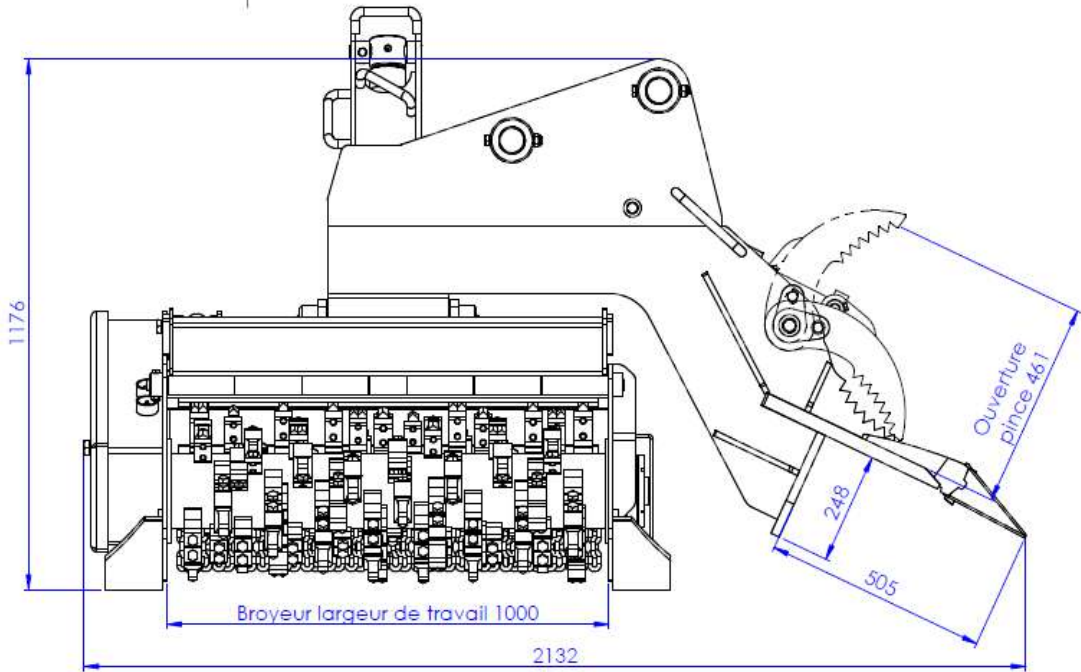
<b>Working width (A)</b>	<b>Overall width (B)</b>	<b>Mass</b>
800 mm	1111 mm	420 Kg
1000 mm	1311 mm	475 Kg
1200 mm	1511 mm	530 Kg



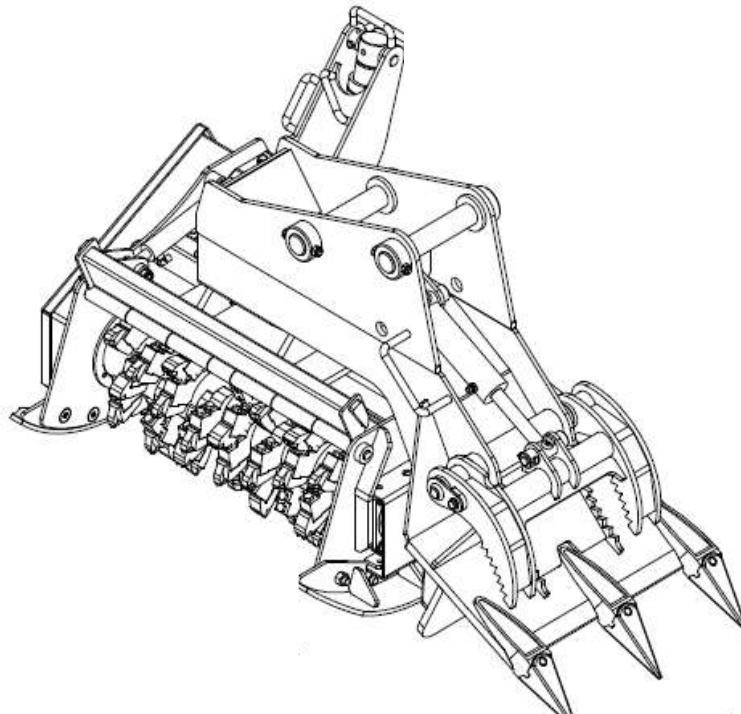
Illustrations and dimensions are for indication only.  
PLAISANCE EQUIPEMENTS reserves the right to modify them without notice.  
This plan is the property of PLAISANCE EQUIPEMENTS and may not be reproduced or communicated without permission.  
All rights reserved.

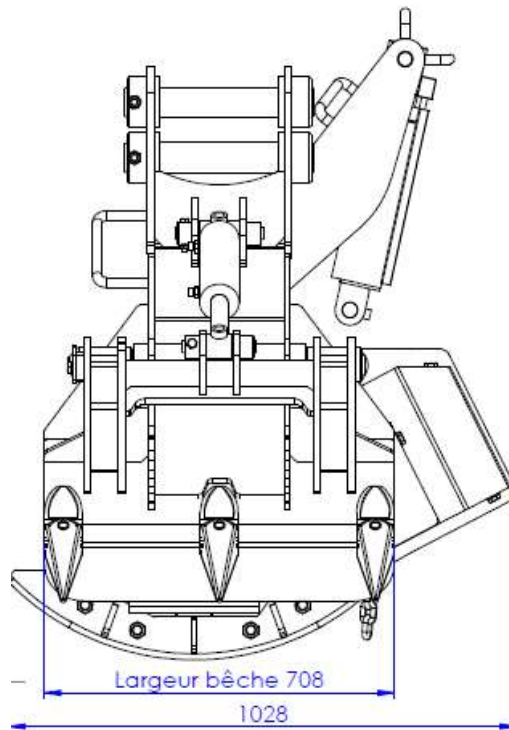


# WEIGHT AND DIMENSIONS (Kg and mm) WITH SPADE



Working width (A)	Overall width (B)	Mulcher weight	Spade weight
800 mm	1111 mm	420 Kg	440 Kg
1000 mm	1311 mm	475 Kg	
1200 mm	1511 mm	530 Kg	





Illustrations and dimensions are for indication only.  
PLAISANCE EQUIPEMENTS reserves the right to modify them without notice.  
This plan is the property of PLAISANCE EQUIPEMENTS and may not be reproduced or communicated without permission.  
All rights reserved.

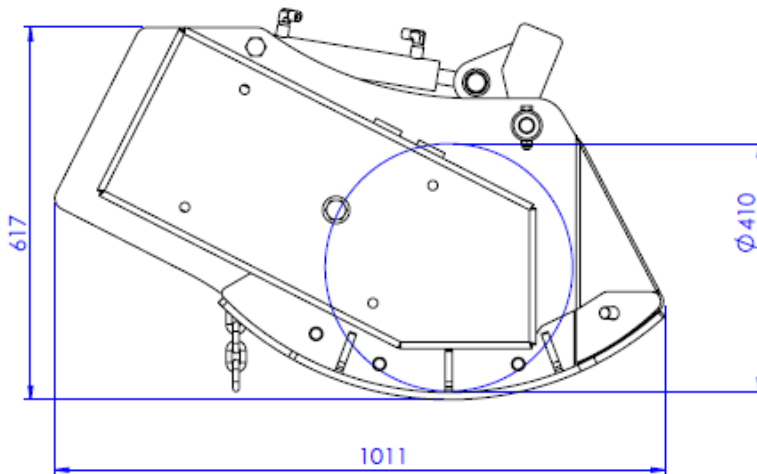
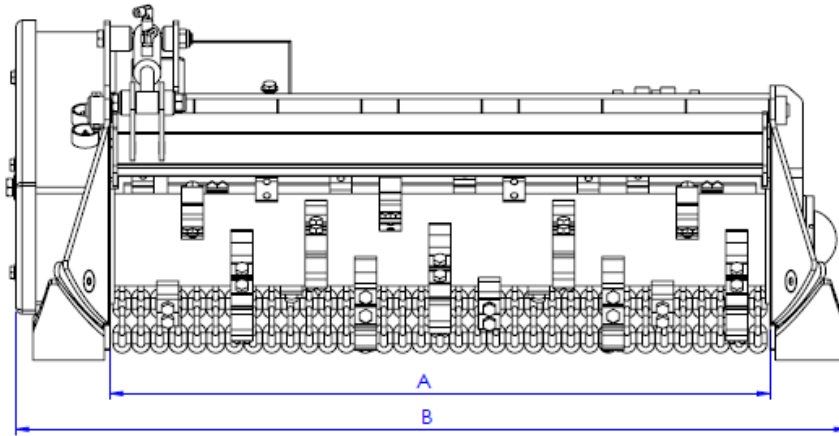
## PICTURES



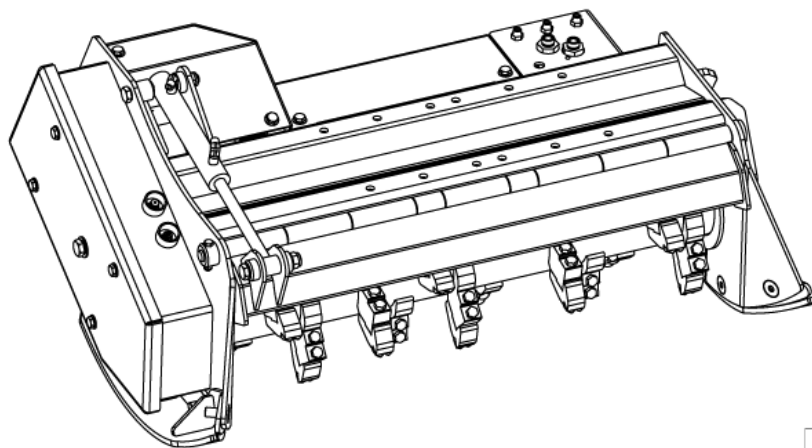




# WEIGHT AND DIMENSIONS (Kg and mm) MXCUT ROTOR



Work width (A)	Overall width (B)	Mass
800 mm	1111 mm	420 Kg
1000 mm	1311 mm	475 Kg
1200 mm	1511 mm	530 Kg



Illustrations and dimensions are for indication only.  
PLAISANCE EQUIPEMENTS reserves the right to modify them without notice.  
This plan is the property of PLAISANCE EQUIPEMENTS and may not be  
reproduced or communicated without permission.  
All rights reserved.

