



TECHNICAL DATASHEET BF 702

CONTACT US :

1 Grande rue
54540 MONTIGNY
Tel : +33 (0)3 83 42 15 79

WWW.PLAISANCE-EQUIPEMENTS.COM



BF 702

GENERAL INFORMATION

Rotor width	2,2 m	2,5 m
Rotor diameter	650 mm	
Use	Mulching	
Tools	Single carbide tip Side scraper tools	
Tools position on the rotor	Fixed - Helical and V positions.	
Mulcher power accepted	300 to 650 Hp	
Mechanical drive	2 Gates® Polychain belts	
Curtain of chains	Antiprojection triple curtain of chains	
Hydraulic rake	Hydraulic with two HARDOX® jacks	
Protection door	Hydraulic with two (public works) heavy duty cylinders.	
Chassis	High tensile steel	
Rolling	Heavy duty roller bearings with double rows of rollers.	
Ski	HARDOX 450® soles	
Protections	Anti-wire cut in mass, bolted and interchangeable	
Bearings	Mass cut steel bearing.	
Box	650 Hp	

Tools



Single carb tip
Wood
OF3

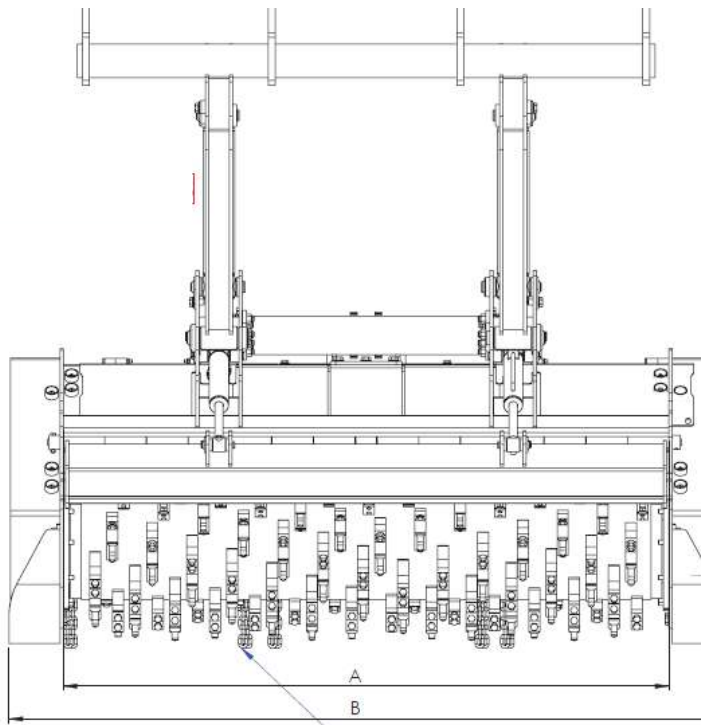
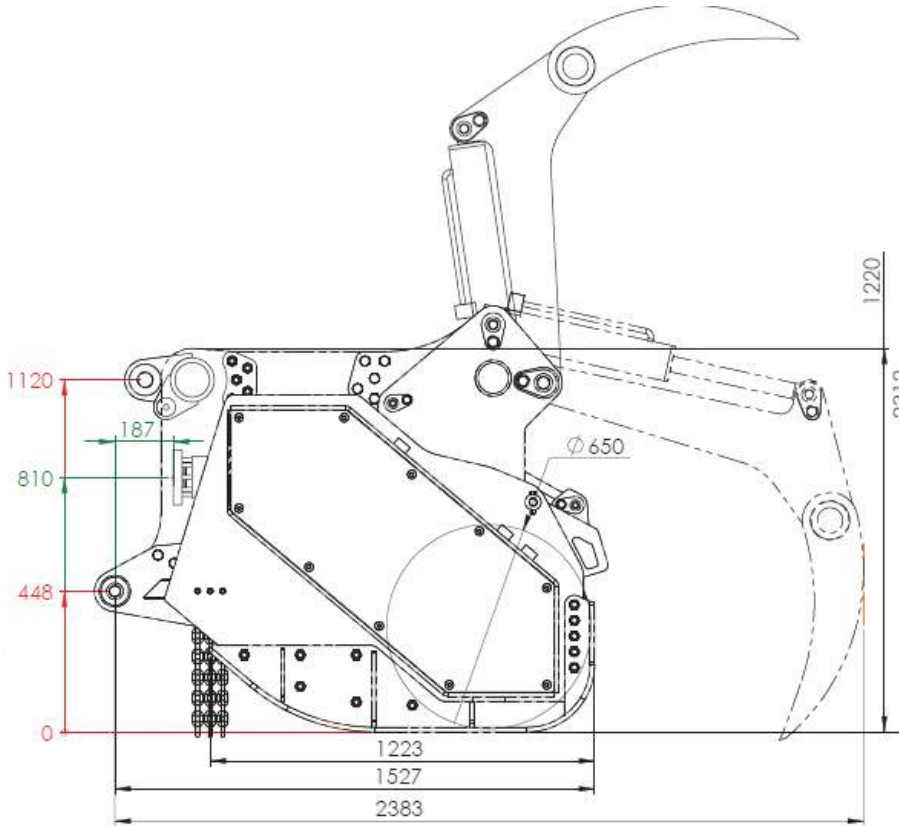


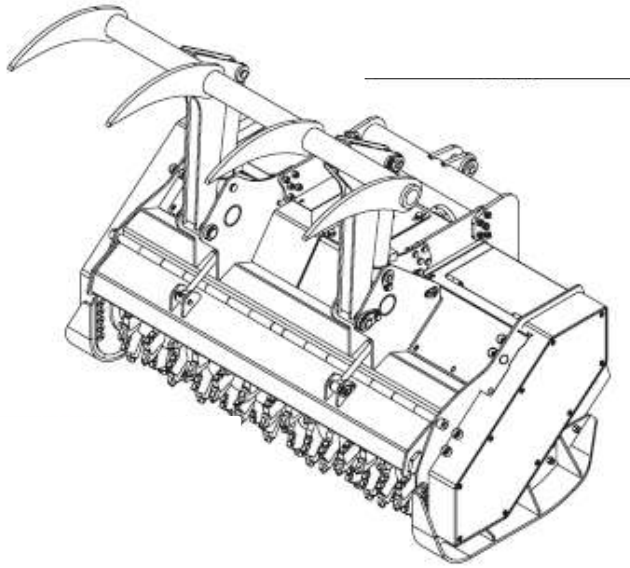
Single carb tip
Wood
OF7

Single carb tip
Wood
OF8

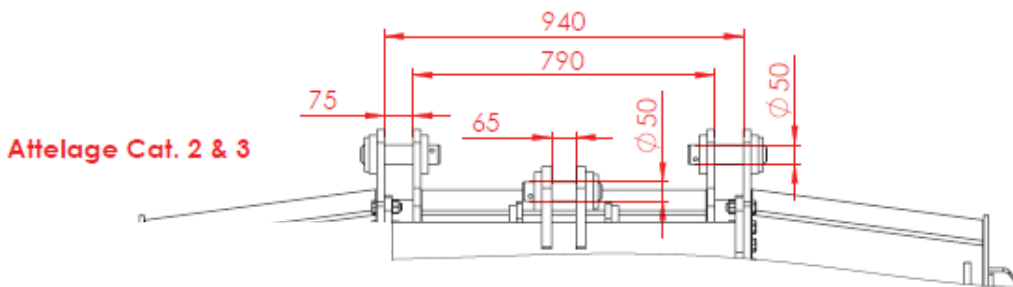


WEIGHT AND DIMENSIONS (Kg and mm)





Working width (A)	Overall width (B)	Mass
2200 mm	2594 mm	3700 Kg



Illustrations and dimensions are for indication only.
 PLAISANCE EQUIPEMENTS reserves the right to modify them without notice.
 This plan is the property of PLAISANCE EQUIPEMENTS and may not be reproduced or communicated without permission.
 All rights reserved.

