



**PLAISANCE**

# TECHNICAL DATASHEET

## BF 652

CONTACT US :

1 Grande rue  
54540 MONTIGNY  
Tel : +33 (0)3 83 42 15 79

[WWW.PLAISANCE-EQUIPEMENTS.COM](http://WWW.PLAISANCE-EQUIPEMENTS.COM)



# BF 652

## GENERAL INFORMATION

Rotor width	2,2 m	2,4 m	2,5 m
Rotor diameter	590 mm		
Use	Forestry mulching/crushing		
Tools	Fixed – Single carbide tips Side scraper tools		
Tools position on the rotor	Helical and V positions.		
Mechanical drive	2 GATES® Polychain belts		
Curtain of chains	Triple curtain of chains		
Protection door	Hydraulic with two (public works) heavy duty cylinders		
Hydraulic rake	Hydraulic with two HARDOX® cylinders		
Safety	Anti-shock, anti-cavitation valves		
Rolling	Heavy duty roller bearings with double rows of rollers. Made with mass cut steel bearing.		
Ski	HARDOX 450® soles		
Protections	Anti-wire, bolted and interchangeable cut in mass, chains and metal sheet antiprojections.		
Bearings	Mass cut steel bearing		
Box/drive	600 cv – Double industrial gimbals mechanical drive		
Counter blade	HARDOX® counter knives, inside chassis		
Hitch	Specific hydraulic third point		
Chassis	HLE and HARDOX® steels		

## Tools



Single carb tip  
Wood

OF3

Single carb tip for  
stones and materials

OF8



Double carb tip  
Wood

OF7

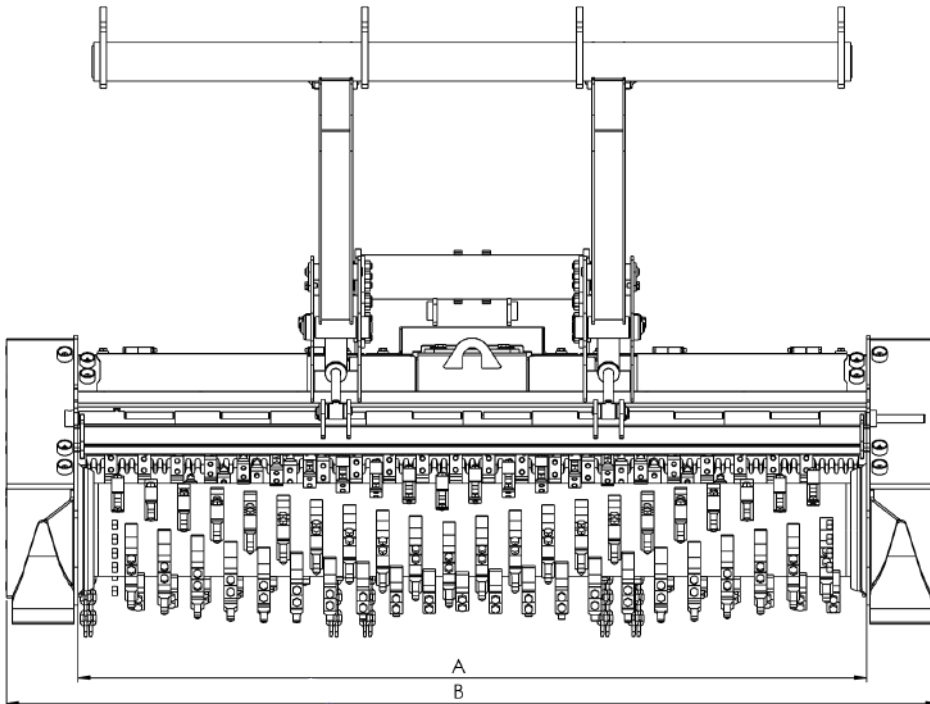
Double carb tip for  
stones and materials

OM4

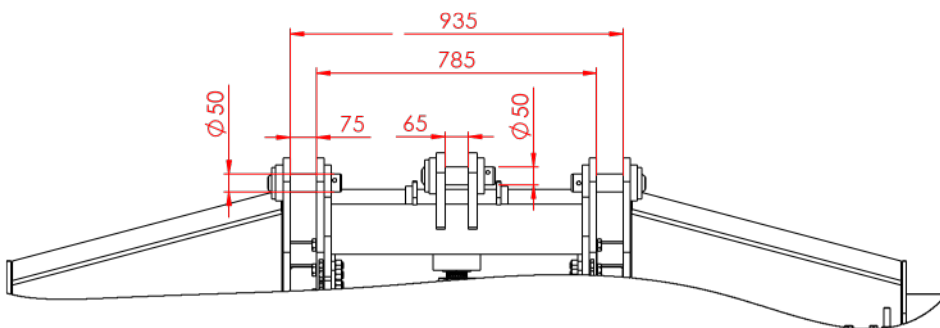








Illustrations and dimensions are for indication only.  
 PLAISANCE EQUIPEMENTS reserves the right to modify them without notice.  
 This plan is the property of PLAISANCE EQUIPEMENTS and may not be  
 reproduced or communicated without permission.  
 All rights reserved.







**PLAISANCE EQUIPEMENTS**  
1 Grande rue  
54540 MONTIGNY  
Tél : 03 83 42 15 79

