



# TECHNICAL DATASHEET BF 602

CONTACT US :

1 Grande rue  
54540 MONTIGNY  
Tel : +33 (0)3 83 42 15 79



[WWW.PLAISANCE-EQUIPEMENTS.COM](http://WWW.PLAISANCE-EQUIPEMENTS.COM)

# BF 602

## GENERAL INFORMATION

Rotor width	2 m	2,2 m	2,5 m	3 m
Rotor diameter	600 mm			
Use	Mulching			
Tools	Single or double carbide tips			
	Side scraper tools			
Tools position on the rotor	Fixed - Helical and V positions.			
Mulcher power accepted	250 to 400 Hp			
Mechanical drive	2 Gates® Polychain belts			
Curtain of chains	Antiprojection triple curtain of chains			
Hydraulic rake	Hydraulic with two HARDOX® jacks			
Protection door	Hydraulic with two (public works) heavy duty cylinders.			
Chassis	High tensile steel			
Rolling	Heavy duty roller bearings with double rows of rollers.			
Ski	HARDOX 450® soles			
Protections	Anti-wire cut in mass, bolted and interchangeable			
Bearings	Mass cut steel bearing.			
Box	400 Hp			

## Tools



Single carb tip  
Wood

OF3

Single carb tip  
Wood

OF8



Double carb tip  
Wood

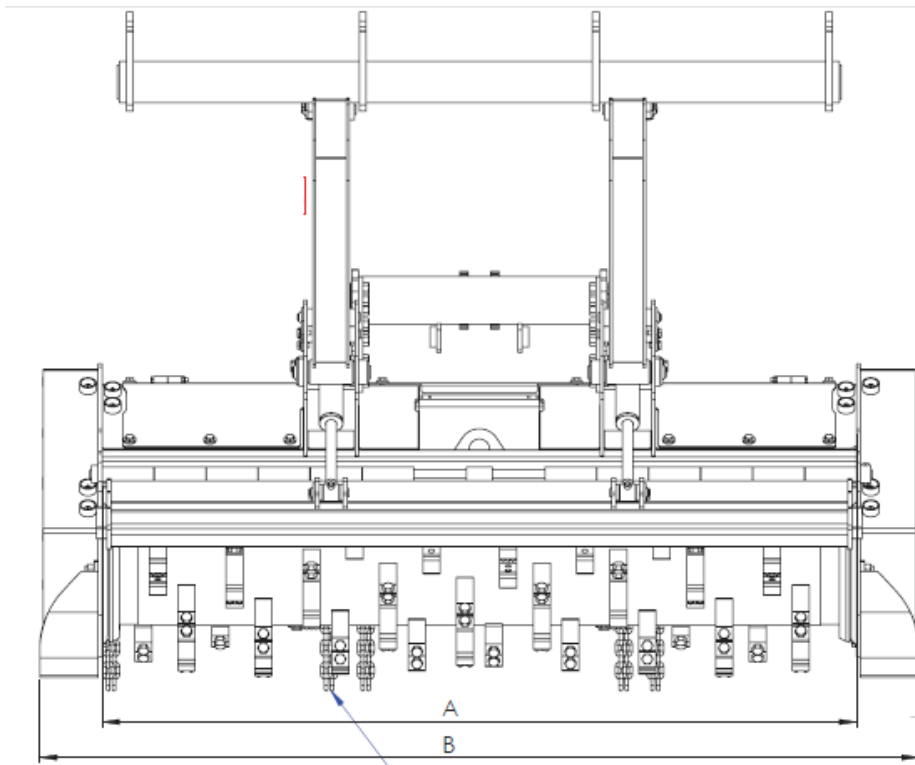
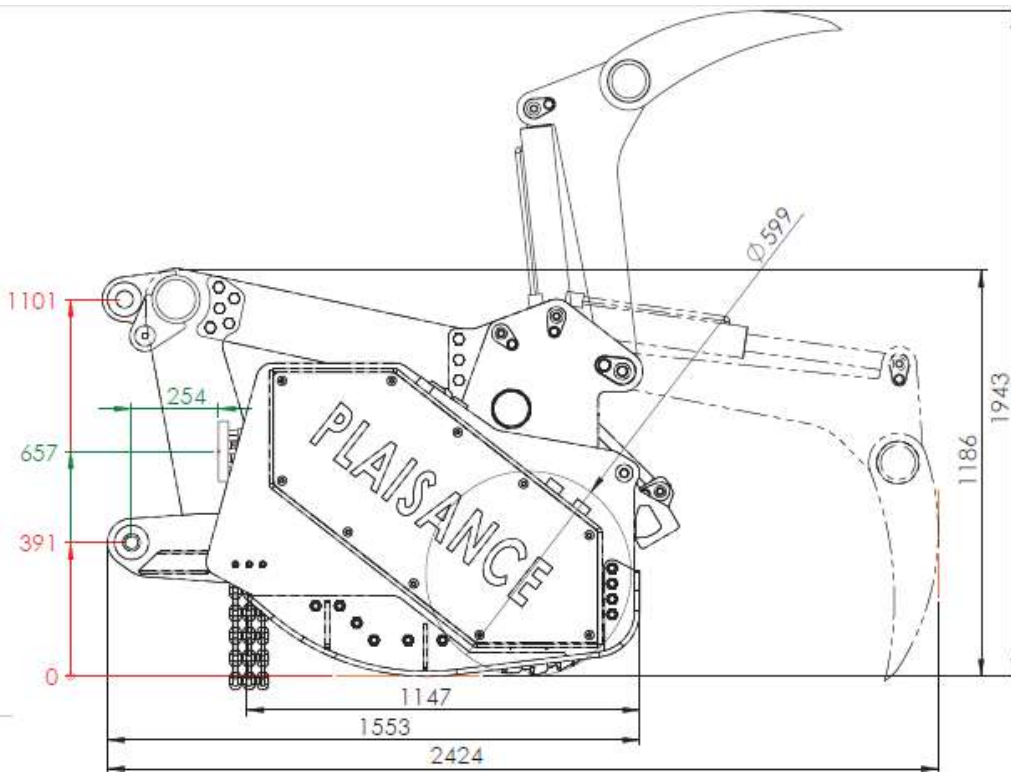
OF7

Double carb tip  
Stones

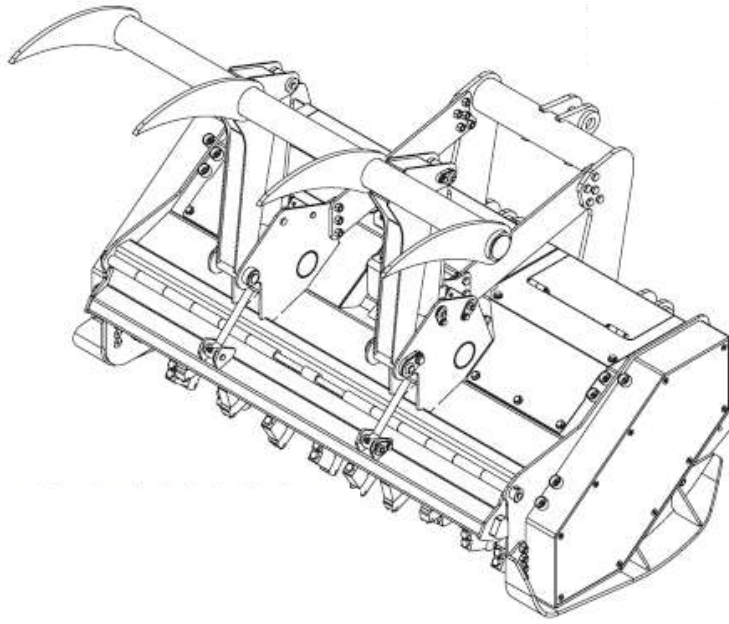
OM4



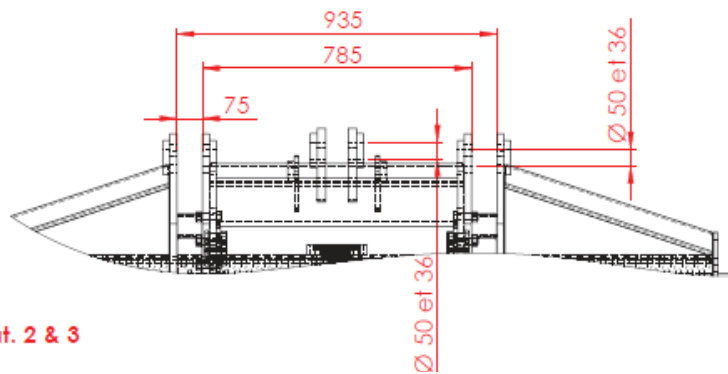
# WEIGHT AND DIMENSIONS (Kg and mm)







Working width (A)	Overall width (B)	Mass
2200 mm	2564 mm	3185 Kg
2500 mm	2864 mm	3400 Kg
3000 mm	3364 mm	3820 Kg



**Attelage Cat. 2 & 3**

Illustrations and dimensions are for indication only.  
 PLAISANCE EQUIPEMENTS reserves the right to modify them without notice.  
 This plan is the property of PLAISANCE EQUIPEMENTS and may not be reproduced or communicated without permission.  
 Tous droits réservés.



