



TECHNICAL DATASHEET BF 600

CONTACT US :

1 Grande rue
54540 MONTIGNY
Tel : +33 (0)3 83 42 15 79

WWW.PLAISANCE-EQUIPEMENTS.COM



BF 600

GENERAL INFORMATION

Rotor width	1,8 m	2 m	2,2 m	2,5 m	3 m
Rotor diameter	600 mm				
Use	Mulching				
Tools	Single or double carbide tips Side scraper tools				
Tools position on the rotor	Fixed - Helical and V positions.				
Mulcher power accepted	200 to 320 Hp				
Mechanical drive	6 Gates® Polychain belts by side				
Curtain of chains	Antiprojection double curtain of chains				
Hydraulic rake	Hydraulic with two HARDOX® jacks				
Protection door	Hydraulic with two (public works) heavy duty cylinders.				
Chassis	High tensile steel				
Rolling	Heavy duty roller bearings with double rows of rollers.				
Ski	HARDOX 450® soles				
Protections	Anti-wire, bolted and interchangeable cut in mass, chains and metal sheet antiprojections.				
Bearings	Mass cut steel bearing.				
Box	320 Hp				
Hitch	Category 3				

Tools



Single carb tip
Wood
OF3

Single carb tip
Wood
OF8

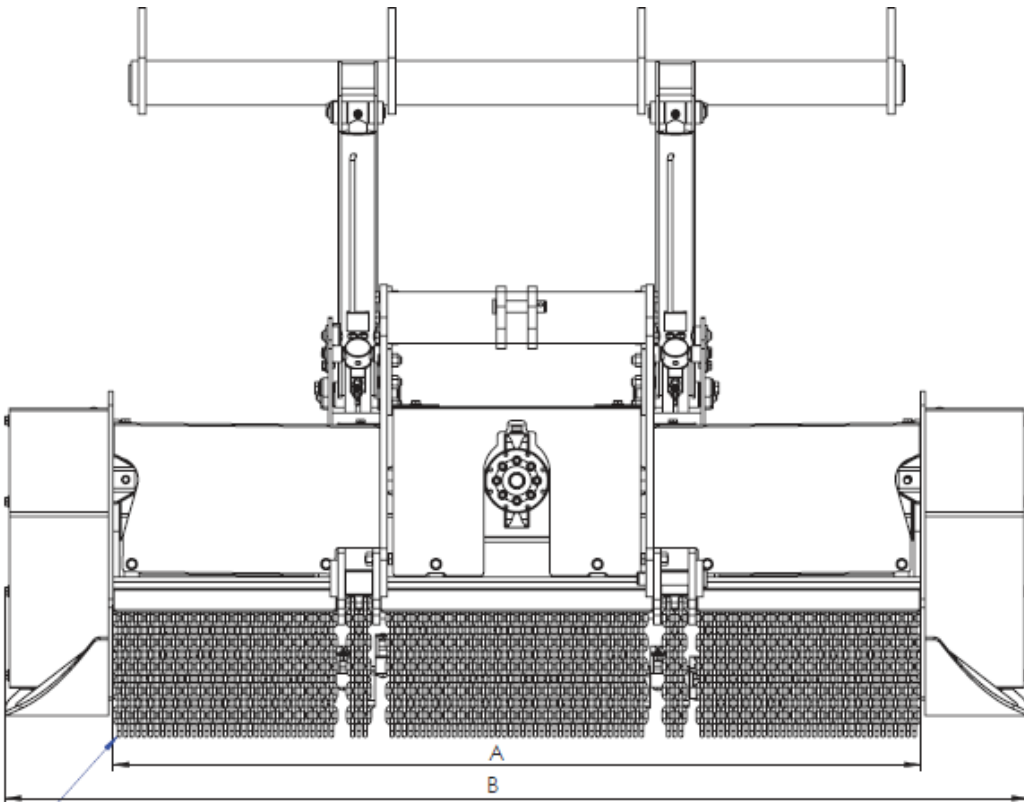
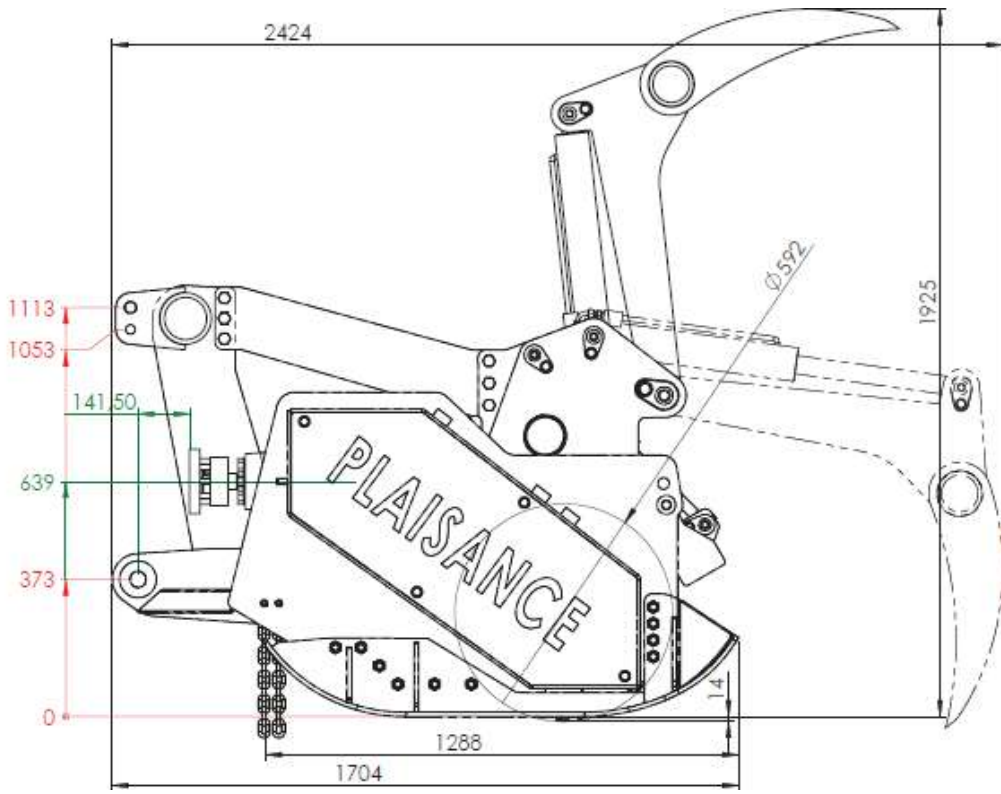


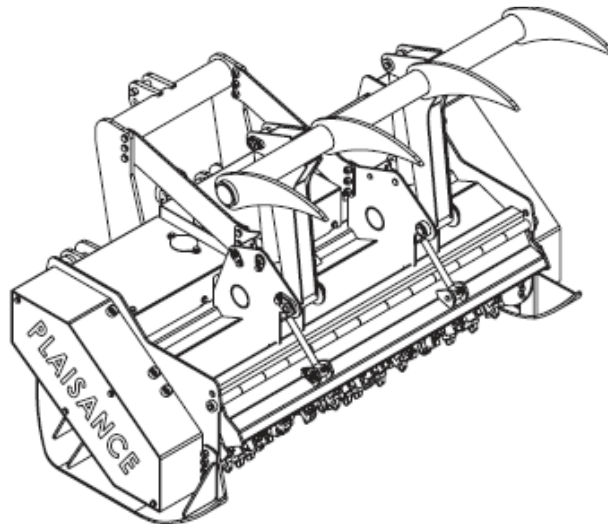
Double carb tip
Wood
OF7

Double carb tip
Wood
OM4

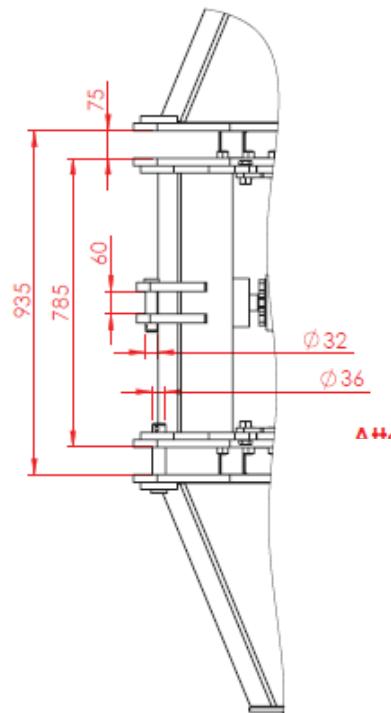


WEIGHT AND DIMENSIONS (Kg and mm)





Working width (A)	Overall width (B)	Mass
2000 mm	2586 mm	2514 Kg
2200 mm	2786 mm	2805 Kg



Illustrations and dimensions are for indication only.
 PLAISANCE EQUIPEMENTS reserves the right to modify them without notice.
 This plan is the property of PLAISANCE EQUIPEMENTS and may not be reproduced or communicated without permission.
 All rights reserved.

