



# TECHNICAL DATASHEET

## BF 552

CONTACT US :

1 Grande rue  
54540 MONTIGNY  
Phone : +33 (0)3 83 42 15 79

[WWW.PLAISANCE-EQUIPEMENTS.COM](http://WWW.PLAISANCE-EQUIPEMENTS.COM)



# BF 552

## GENERAL INFORMATION

Rotor width	1,8 m	2 m	2,2 m	2,5 m
Rotor diameter	500 mm			
Use	Forestry mulching/crushing			
Tools	Fixed – 1 or 2 carbide tips Side scraper tools			
Tools position on the rotor	Helical and V positions.			
Mulcher power accepted	150 to 320 Hp			
Mechanical drive	2 Gates® Polychain belts			
Curtain of chains	Double curtain of chains			
Hydraulic rake	Hydraulic with two HARDOX® jacks			
Protection door	Hydraulic with two (public works) heavy duty cylinders.			
Chassis	High tensile steel and HARDOX®			
Rolling	Heavy duty roller bearings with double rows of rollers.			
Ski	HARDOX 450® soles			
Protections	Anti-wire, bolted and interchangeable cut in mass, chains and metal sheet antiprojections.			
Bearings	Mass cut steel bearing.			
Box	320 Hp			
Hitch	3rd specific hydraulic point (cat 3)			

## Tools



Single carb tip  
Wood

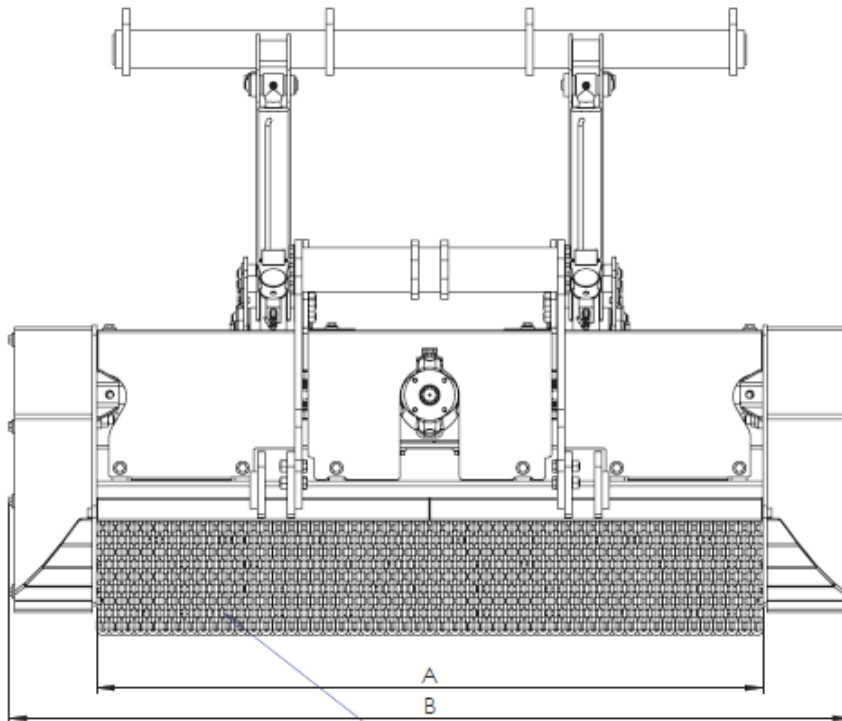
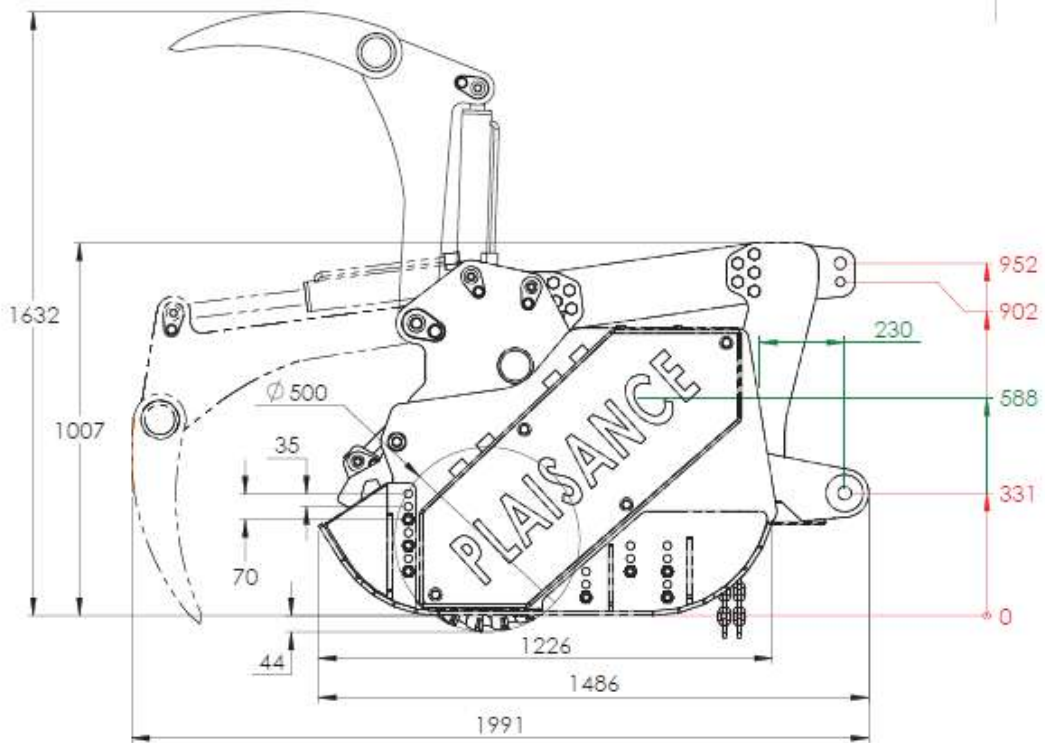
OF3

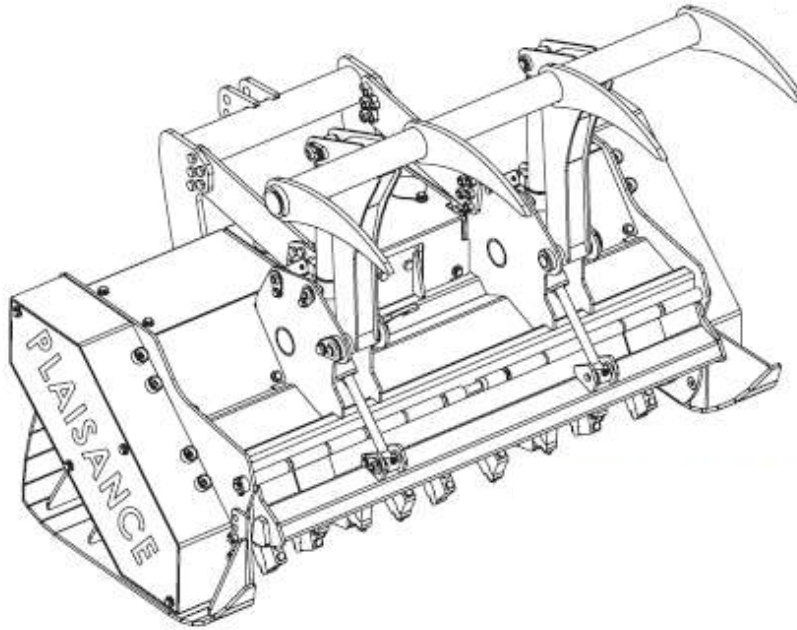


Double carb tip  
Wood

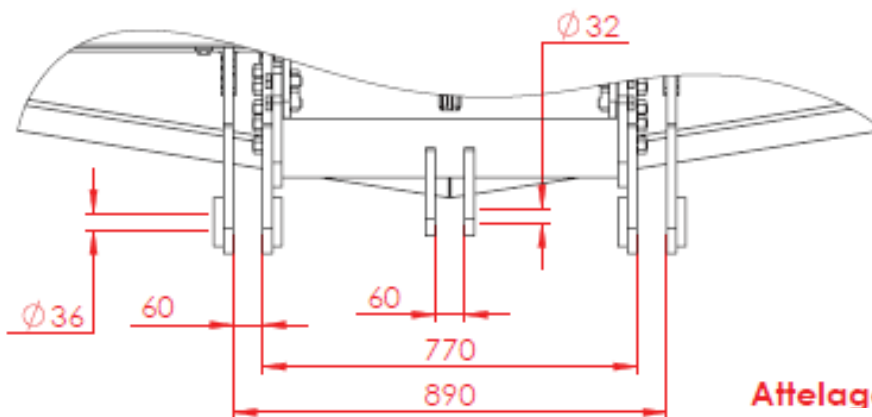
OF11

## WEIGHT AND DIMENSIONS (Kg and mm)





Working width (A)	Overall width (B)	Mass
1800 mm	2274 mm	2000 Kg
2000 mm	2474 mm	2090 Kg
2200 mm	2674 mm	2150 Kg



**Attelage Cat. 2 & 3**

Illustrations and dimensions are for indication only.  
 PLAISANCE EQUIPEMENTS reserves the right to modify them without notice.  
 This plan is the property of PLAISANCE EQUIPEMENTS and may not be reproduced or communicated without permission.  
 All right reserved.

