



TECHNICAL DATASHEET BF 501 & 501 R

CONTACT US :

1 Grande rue
54540 MONTIGNY
Tél : +33 (0)3 83 42 15 79



WWW.PLAISANCE-EQUIPEMENTS.COM

BF 501 & 501 R

GENERAL INFORMATION

Rotor width	1,8 m	2 m	2,2 m
Rotor diameter	500 mm		
Use	Mulching		
Tools	Single or double carbide tips		
Tools position on the rotor	Fixed - Helical and V positions.		
Mulcher power accepted	90 to 280 Hp		
Mechanical drive	5 Gates® Polychain belts by side		
Curtain of chains	Antiprojection simple curtain of chains		
Hydraulic rake	Hydraulic with two HARDOX® jacks		
Protection door	Hydraulic with two (public works) heavy duty cylinders.		
Chassis	High tensile steel		
Rolling	Heavy duty roller bearings with double rows of rollers.		
Ski	HARDOX 450® soles		
Protections	Anti-wire cut in mass, bolted and interchangeable.		
Box	280 Hp		
Hitch	2 or 3		

Tools



Single carb tip
Wood

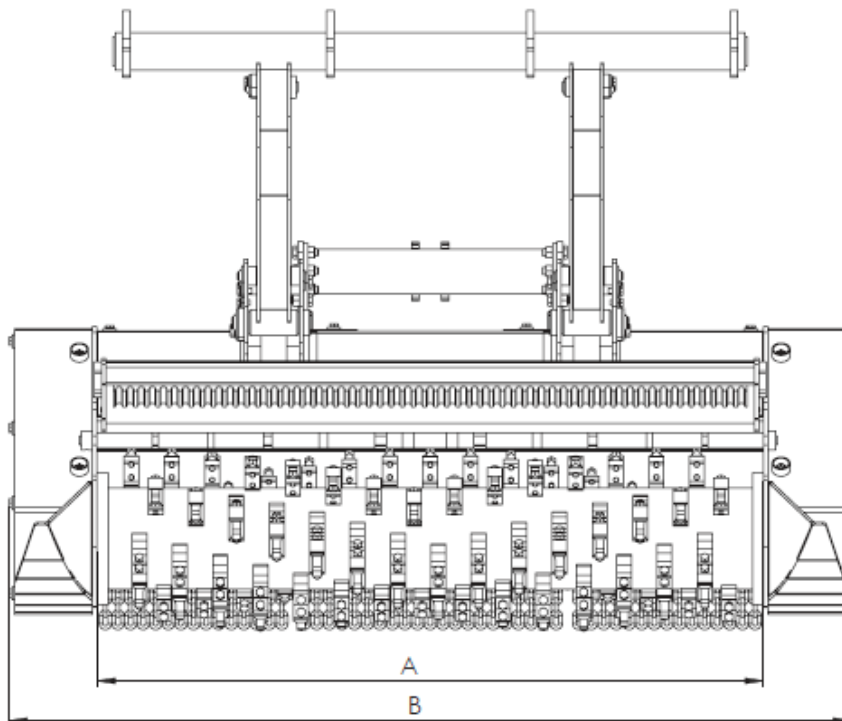
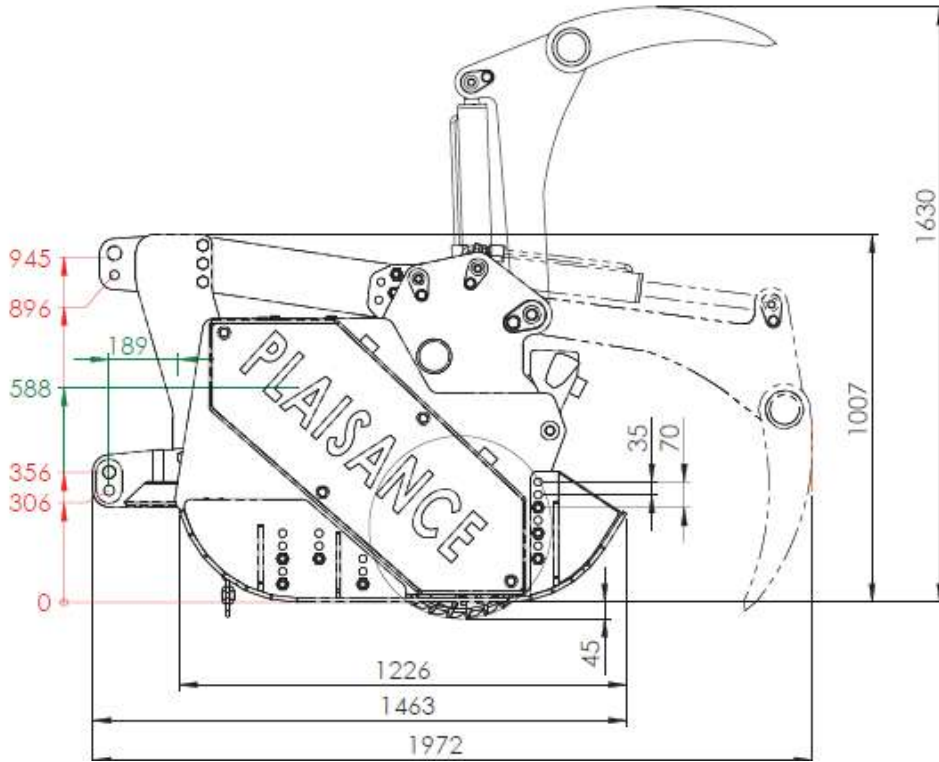
OF5

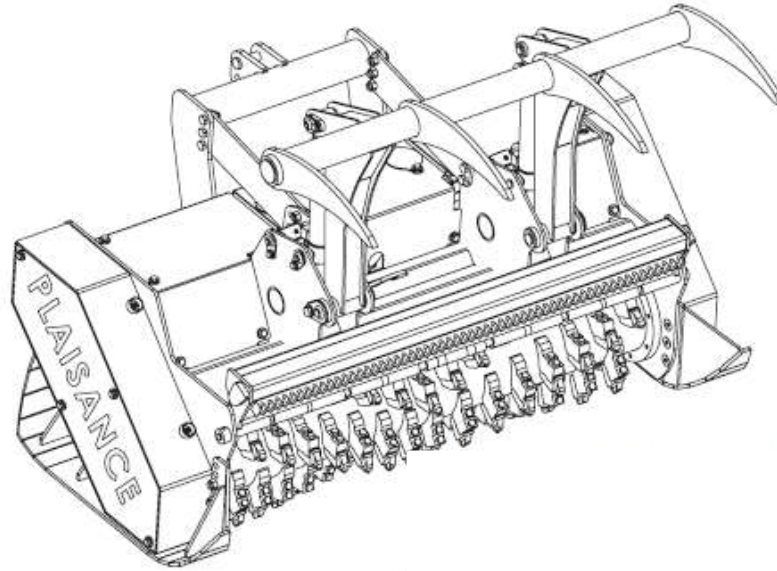


Double carb tip
Wood

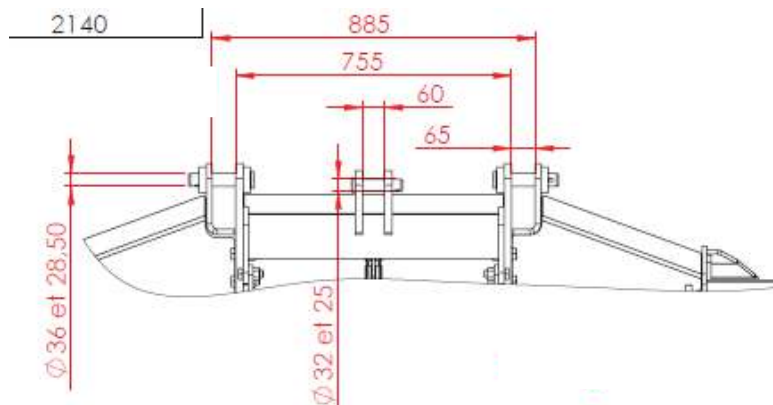
OF6

WEIGHT AND DIMENSIONS (Kg and mm)





Working width (A)	Overall width (B)	Mass
1800 mm	2274 mm	2000 Kg
2000 mm	2474 mm	2090 Kg
2200 mm	2674 mm	2140 Kg



Illustrations and dimensions are for indication only.
 PLAISANCE EQUIPEMENTS reserves the right to modify them without notice.
 This plan is the property of PLAISANCE EQUIPEMENTS and may not be
 reproduced or communicated without permission.
 Tous droits réservés.

