



**TECHNICAL
DATASHEET**
VARIOTRAC 180H

CONTACT US :

1 Grande rue
54540 MONTIGNY
Tel : +33 (0)3 83 42 15 79

WWW.PLAISANCE-EQUIPEMENTS.COM





VARIOTRAC 180H

GENERAL INFORMATION

Constructor	PLAISANCE EQUIPEMENTS SAS
Brand	Plaisance
Type	Self-propelled machine (MAGA)
Version	VARIOTRAC 180H
Power grip	Hydraulic

FEATURES

Advancement	Hydrostatic advancement with 2 speed ranges 0-8 km/h and 0-25 km/h
	Suptronic advancement control (automatic adaptation of the self-propelled vehicle's advance according to the engine speed)
	Number of axles and wheels : 2 motorized steering axles DANA type 212/420 and 212/421, 4 simple wheels
	4 driving wheels
	Steering mode : – 2 front wheels steering (for circulation), 4 wheels steering (for work)
Tyres size	Forestry tyres 420/85-28
Chassis	Integral chassis made of high strength steel. Floating motor-box set. Full shielding.
Engine location and layout	On the back, longitudinal
Driver's cab location	Central position between front axle and rear axle

	ENGINE
Denomination	Manufacturer : VOLVO PENTA
General description	Type : TAD581_VE – Stage 5 Inner combustion engine with reciprocating pistons and crankshaft Power rating : 175 Hp – Engine capacity : 5,13 l Cycle : Diesel
Number and disposition of cylinders	4 cylinders in line
Maximum torque	950 nm at 1300 rotation/min
Maximum rotation speed	2310
Engine power supply mode	Common rail fuel injection
Air filter type	Dry, with cartridges
Ignition	By compression
Engine cooling	By forced water circulation and water cooler

	CONFORT + CAB
VISION + windscreen	Inclined, monobloc, anti-dust, anti-reflection, anti-rain.
Display and control	Full digital display (mulcher rotation, gauges, indicators, diagnostic, settings...) Advancement control by front/rear foot pedal and manual reversing
Safety	Lexan-Margard® safety glass 12 mm ROPS-FOPS-OPS approval
Equipments	New cab, air-conditioned, soundproof, pressurized and high comfort damping system Work light : 2 front headlights and 2 rear headlights High comfort seat (Public works type) Stereo USB-Bluetooth radio

	EXTRA INFORMATION
Fuel type	Diesel
Fuel tank	215 liters metallic tank fixed on the left side of the chassis
Hydraulic tank	195 liters metallic tank fixed on the right side of the chassis
AdBlue tank	45 liters on the right in the hydraulic tank

Mulcher technical description

BF 401H 1800

MULCHER

Rotor width	1,8 m
Rotor diameter	497 mm
Use	Forestry mulching/crushing
Tools	Fixed – 2 carbide tips Side scraper tools
Tools position on the rotor	Helical and V positions
Mechanical drive	1 Gates® Polychain belt
Curtain of chains	Simple curtain of chains
Protection door	Hydraulic with two (public works) heavy duty cylinders
Hydraulic rake	Hydraulic with two HARDOX® cylinders
Rolling	Heavy duty roller bearings with double rows of rollers. Made with mass cut steel bearing.
Ski	HARDOX 450® soles
Protections	Anti-wire, bolted and interchangeable cut in mass, chains and metal sheet antiprojections
Bearings	Mass cut steel bearing
Box/drive	Linde hydraulic engine
Counter blade	HARDOX® counter knives, inside chassis
Hitch	Specific hydraulic third point
Chassis	HLE and HARDOX® steels

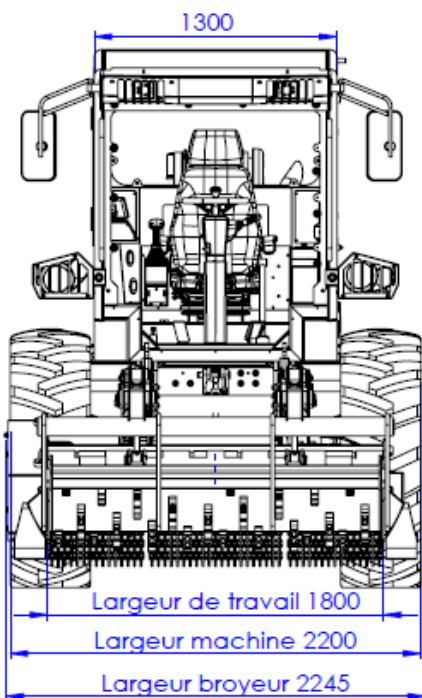
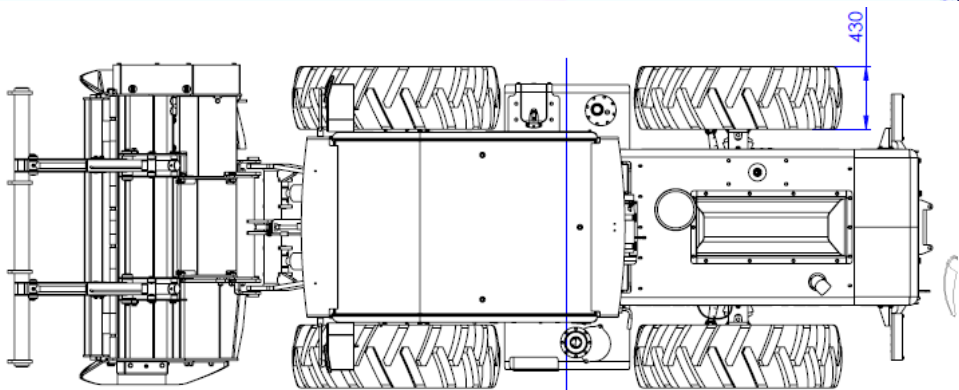
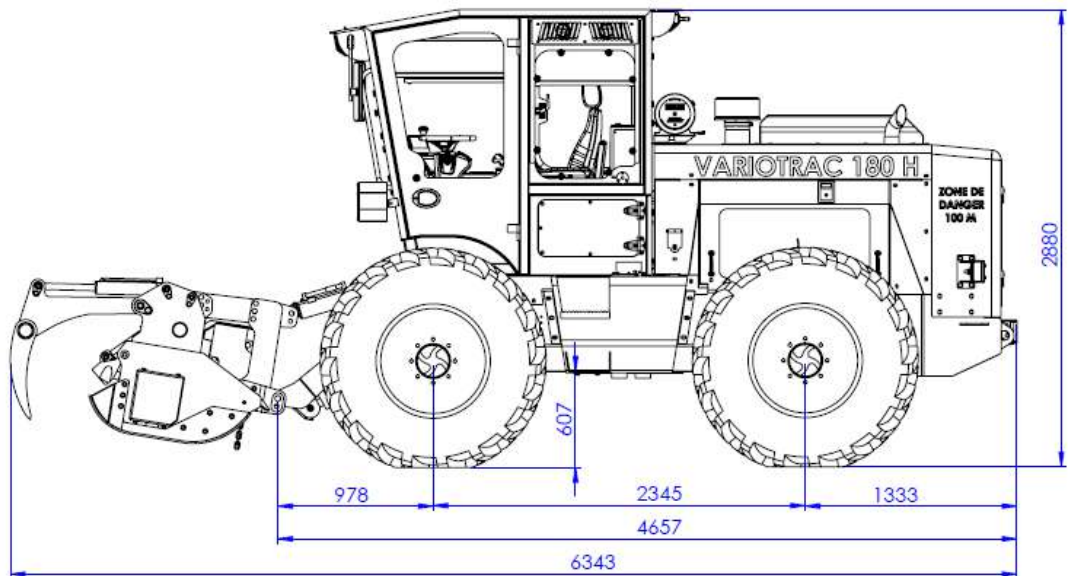
Tools

Double carb tip



OF6

Dimension (mm)





PLAISANCE EQUIPEMENTS

1, Grande rue

54540 MONTIGNY

Tél. 03 83 42 15 79 Fax 03 83 42 24 21

