



# TECHNICAL DATASHEET GALOTRAX 600B

CONTACT US:

1 Grande rue  
54540 MONTIGNY, France  
Tel: +33 3 83 42 15 79



[WWW.PLAISANCE-EQUIPEMENTS.COM](http://WWW.PLAISANCE-EQUIPEMENTS.COM)

# GALOTRAX 800

## GENERAL INFORMATION

<b>Constructor</b>	PLAISANCE EQUIPEMENTS SAS
<b>Brand</b>	Plaisance
<b>Type</b>	Self-propelled machine
<b>Version</b>	GALOTRAX 800
<b>Power grip</b>	Mechanical

## FEATURES

<b>Advancement</b>	Hydrostatic advancement with 2 speed ranges 0-4 km/h and 0-7 km/h
	Suptronic advancement control (automatic adaptation of the self-propelled vehicle's advance according to the engine speed)
	D7 Caterpillar
	BONFIGLIOLI gearmotor
	Steering mode: Independent tracks
<b>Tracks size</b>	Overall width: 2982 mm
	Width: 32" (813 mm)
<b>Bogies</b>	Oscillating
<b>Chassis</b>	Integral chassis made of high strength steel. Floating linkage. Full shielding.
<b>Engine location and layout</b>	On the back, longitudinal
<b>Driver's cab location</b>	Front central position

## ENGINE

<b>Denomination</b>	Manufacturer: CATERPILLAR
	Type: C18
<b>General description</b>	Inner combustion engine with reciprocating pistons and crankshaft
	Power rating: 765 hp – Engine capacity: 18,1 l
	Cycle: Diesel
<b>Number and disposition of cylinders</b>	6 cylinders in-line
<b>Maximum torque</b>	3496 nm at 1400 rotation/min
<b>Maximum rotation speed</b>	1800 rotation/min
<b>Engine power supply mode</b>	Common rail fuel injection
<b>Air filter type</b>	Dry, with cartridges
<b>Ignition</b>	By compression
<b>Engine cooling</b>	By forced water circulation and water cooler

## CAB

<b>Display and control</b>	Full digital display (mulcher rotation, gauges, indicators, diagnostic, settings...)
	Advancement control by joystick
<b>Safety</b>	Lexan-Margard® safety glass 12 mm
	ROPS-FOPS-OPS approval
<b>Equipment</b>	Cab: air-conditioning system, soundproofed, pressurized and high comfort damping system
	Work light: 2 front working lights and 2 rear working lights
	High comfort seat (Public works type)
	Stereo USB-Bluetooth radio

## EXTRA INFORMATION

<b>Fuel type</b>	Diesel
<b>Fuel tank</b>	970 l steel tank on the left side of the frame
<b>Hydraulic tank</b>	440 l steel tank on the right side of the frame

## MULCHER TECHNICAL DESCRIPTION

# BF 800 2100

## MULCHER

<b>Rotor width</b>	2,1 m
<b>Rotor diameter</b>	590 mm
<b>Use</b>	Forestry mulching
<b>Teeth</b>	Single carbide tip + Side teeth
<b>Teeth position on the rotor</b>	Helical and V positions
<b>Side belts transmission to rotor</b>	2 Polychain belts in carbon
<b>Curtain of chains</b>	Triple anti-projection curtain of chains
<b>Protection door</b>	Hydraulic with two cylinders (public works)
<b>Hydraulic rake</b>	With two cylinders (public works)
<b>Frame</b>	HLE and HARDOX® steels
<b>Rolling</b>	Heavy duty roller bearings with double rows of rollers. Made with mass cut steel bearing.
<b>Rotor axis</b>	Bolted shafts
<b>Skids</b>	HARDOX 450® soles
<b>Protections</b>	Anti-wire, bolted and interchangeable cut in mass
<b>Hitch</b>	Hydraulic third point

## TEETH



Wood tool  
Single carb tip

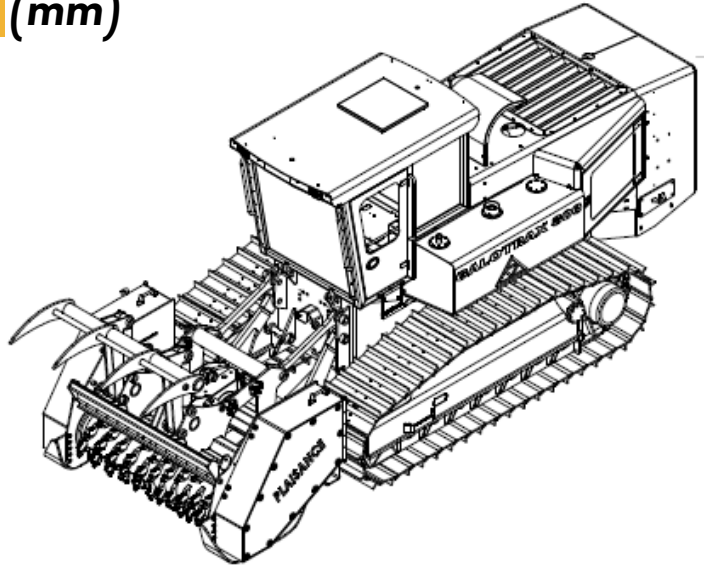
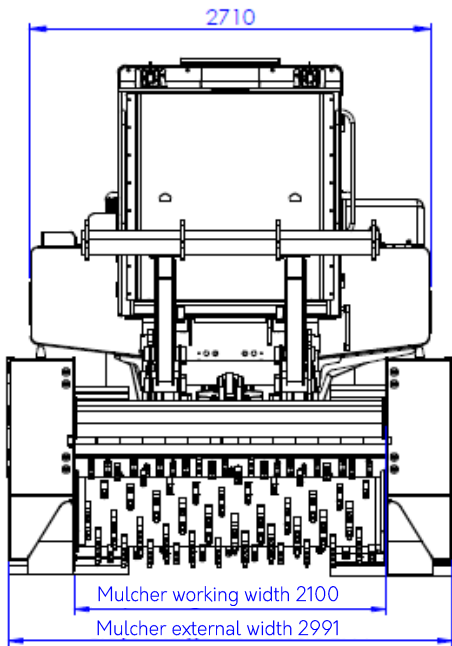
OF3



Stone tool  
Single carb tip

OF8

# PLAN AND DIMENSIONS (mm)



**TOTAL WEIGHT: 27 300 kg**

