



# TECHNICAL DATASHEET

## BM 501

**CONTACT US:**

1 Grande rue  
54540 MONTIGNY, France  
Tel: +33 3 83 42 15 79



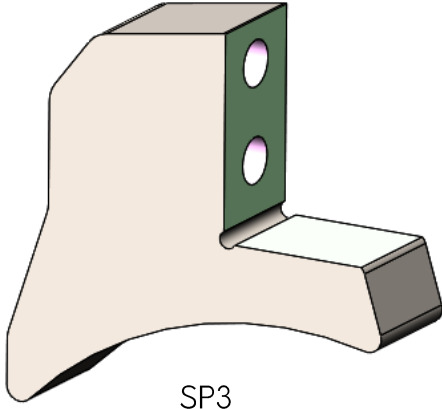
[WWW.PLAISANCE-EQUIPEMENTS.COM](http://WWW.PLAISANCE-EQUIPEMENTS.COM)

# BM 501

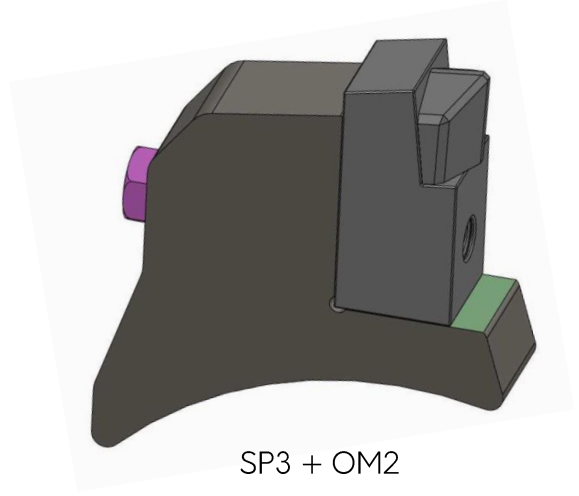
## GENERAL INFORMATION

<b>Rotor widths</b>	1,6 m	1,8 m	2 m	2,2 m
<b>Rotor diameter</b>	500 mm			
<b>Use</b>	Stone crushers			
<b>Teeth</b>	Single carbide tip			
<b>Teeth position on the rotor</b>	Fixed - Helical and V positions			
<b>Working depth</b>	- 150 mm			
<b>Engine power</b>	100 to 140 hp			
<b>Side belt transmission to rotor</b>	5 V-belts by side			
<b>Curtain of chains</b>	Anti-projection double curtain of chains			
<b>Protection door</b>	Hydraulic with two cylinders (public works)			
<b>Frame</b>	Strengthen - High tensile steel and HARDOX®			
<b>Rollings</b>	Heavy duty roller bearings with double rows of rollers. Mounted in solid-cut steel bearing			
<b>Rotor axis</b>	Bolted shafts			
<b>Skids</b>	HARDOX 450® adjustable soles			
<b>Protections</b>	Anti-wire cut in mass, bolted and interchangeable			
<b>Gearbox</b>	300 hp			
<b>Hitch</b>	2 <sup>nd</sup> and 3 <sup>rd</sup> hydraulic points			

## HOLDERS



SP3



SP3 + OM2

## TEETH



Stone tool  
Single carb tip

---

OM2  
35 to 55 teeth

## THE **STRENGTHS** OF OUR MULCHERS



**Saving time:** continuous hydraulic setting of the working depth from the cab thanks to the 3rd hydraulic point.



**Profitability:** high work flow and low cost of wear parts.



**Exceptional mixing quality:** the helical teeth ensures a homogeneous mix, reducing power demand and increasing fertility.



**Heavy-duty design** inspired by Publics Works thanks to the use of high-quality materials.



**Simplicity and reliability of the kinematics** (with few maintenance) allows a profitability gain.



**Design in the rules of mechanics**

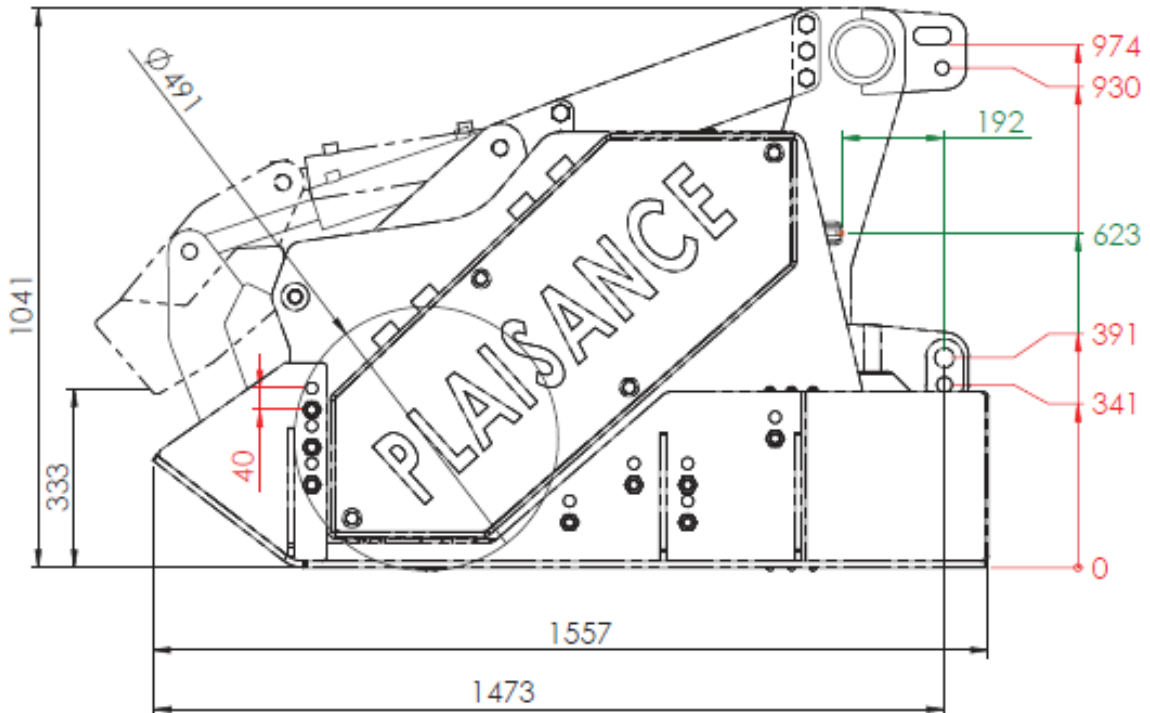
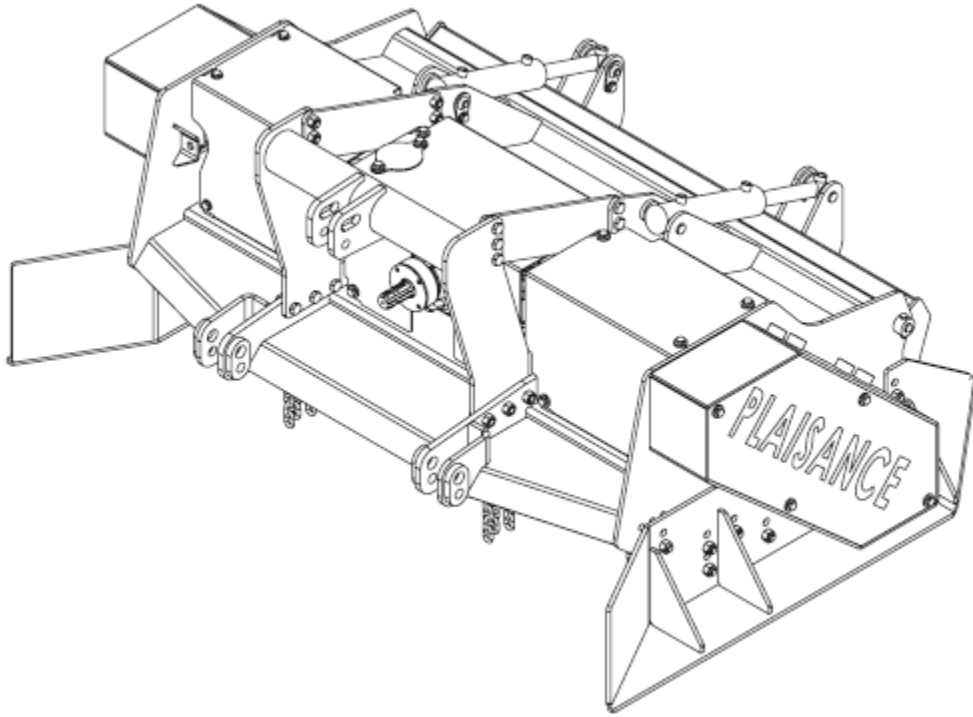


**Fuel-efficient due to low drawbar pull**

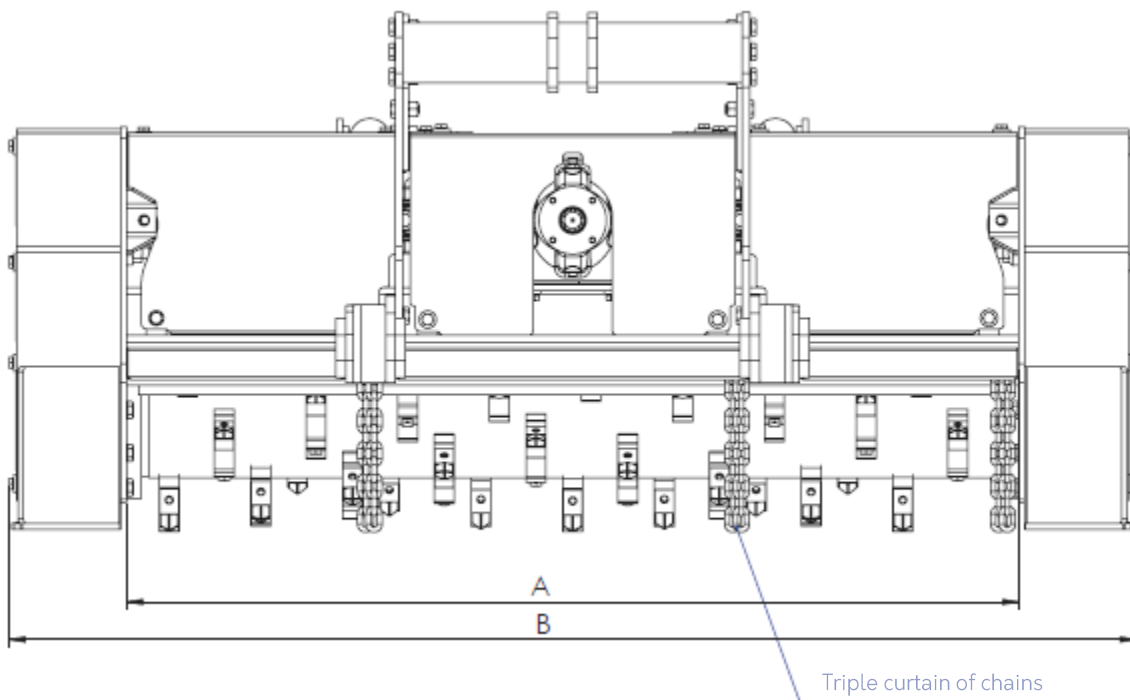


**Cost of use per hectare below all competitors**

## PLAN AND DIMENSIONS



## **WEIGHT AND DIMENSIONS (kg and mm)**



<b>Working width (A)</b>	<b>Overall width (B)</b>	<b>Weight</b>
1800 mm	2274 mm	1950 kg
2000 mm	2474 mm	2150 kg
2200 mm	2674 mm	2250 kg

Illustrations and dimensions are for indication only.  
 PLAISANCE EQUIPEMENTS reserves the right to modify them without notice.  
 This plan is the property of PLAISANCE EQUIPEMENTS and may not be reproduced or  
 communicated without permission.  
 All rights reserved

