



TECHNICAL DATASHEET

BFH 201

CONTACT US:

1 Grande rue
54540 MONTIGNY, France
Tel: +33 3 83 42 15 79



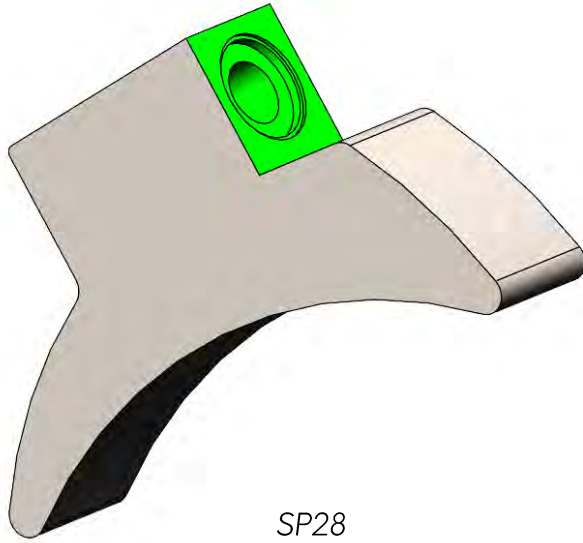
WWW.PLAISANCE-EQUIPEMENTS.COM

BFH 201

GENERAL INFORMATION

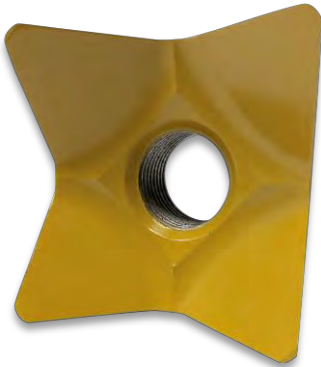
Rotor widths	0,8 m	1m
Rotor diameter	325 mm	
Use	Forestry mulching on hydraulic excavator or spider excavator	
Teeth	Special steel teeth Mxcut ; Double carbide tips	
Teeth position on the rotor	Fixed - Helical and V positions	
Excavator weight	4 tot 10 tons + spider excavators models	
Option	Spade	
Side belt transmission to rotor	1 polychain belt	
Curtain of chains	Anti-projection curtain of chains	
Protection door	Hydraulic with one heavy duty cylinder	
Safety	Anti-shock, anti-cavitation valves	
Frame	High tensile steel	
Skids	HARDOX 450® soles	
Counter blade	HARDOX® counter knives, inside frame	
Rotor protections	Anti-wire (mass cut)	
Hydraulic engine	According to excavator capacity	
Hydraulic flow/pressure	We adapt the hydraulic motor to your flow rates and pressures to optimize power and achieve maximum efficiency	

HOLDER



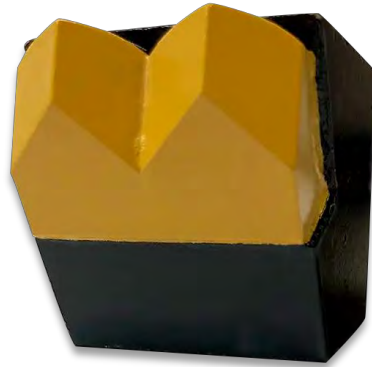
SP28

TEETH



Wood tool
MXcut

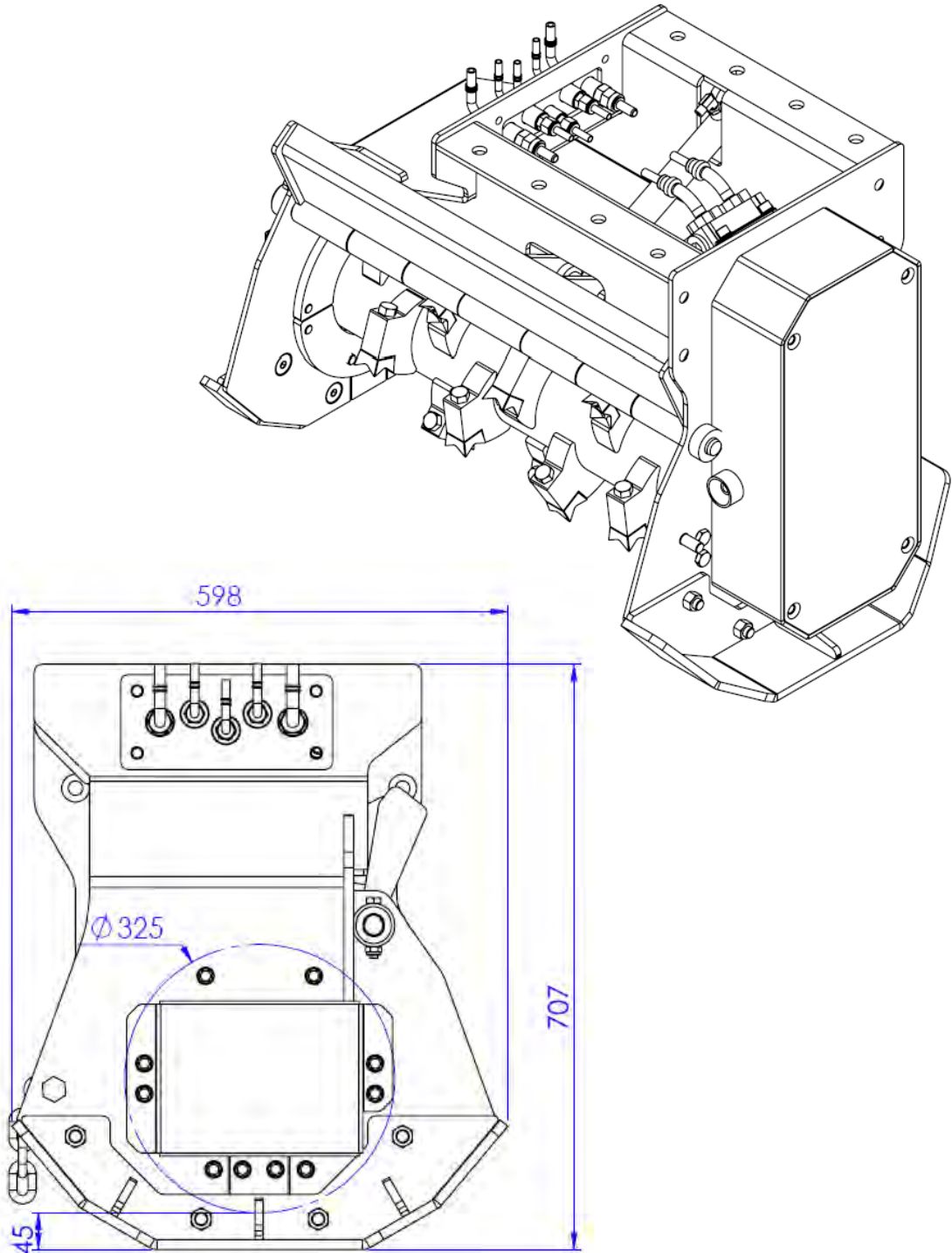
OFMX1
20 to 25 teeth



Wood tool
Double carb tip

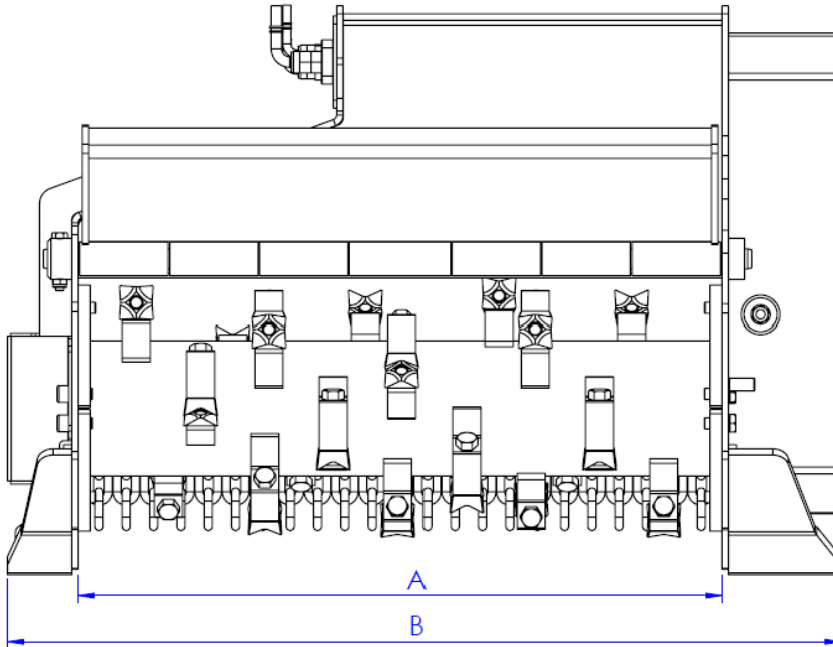
OF12
20 to 25 teeth

PLANS AND DIMENSIONS

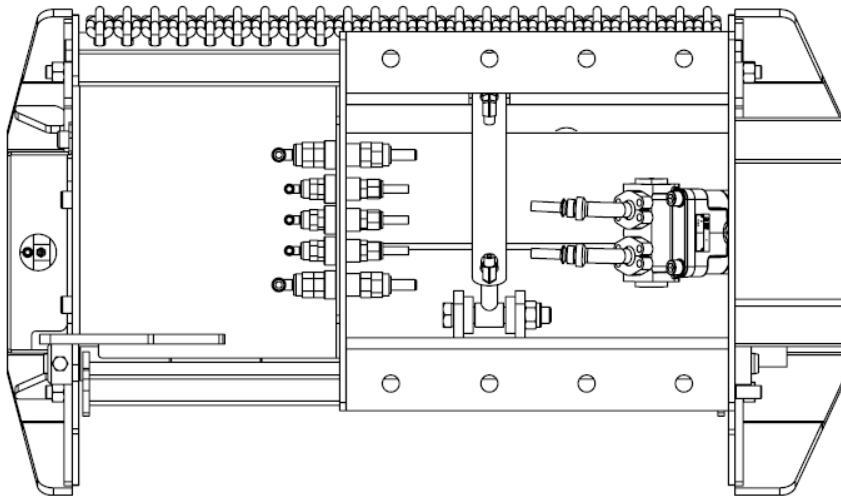


*Illustrations and dimensions are for guidance only.
PLAISANCE EQUIPEMENTS reserves the right to modify them without notice.
This plan is the property of PLAISANCE EQUIPEMENTS and may not be reproduced or
transmitted without permission.
All rights reserved*

WEIGHT AND DIMENSIONS (kg and mm)



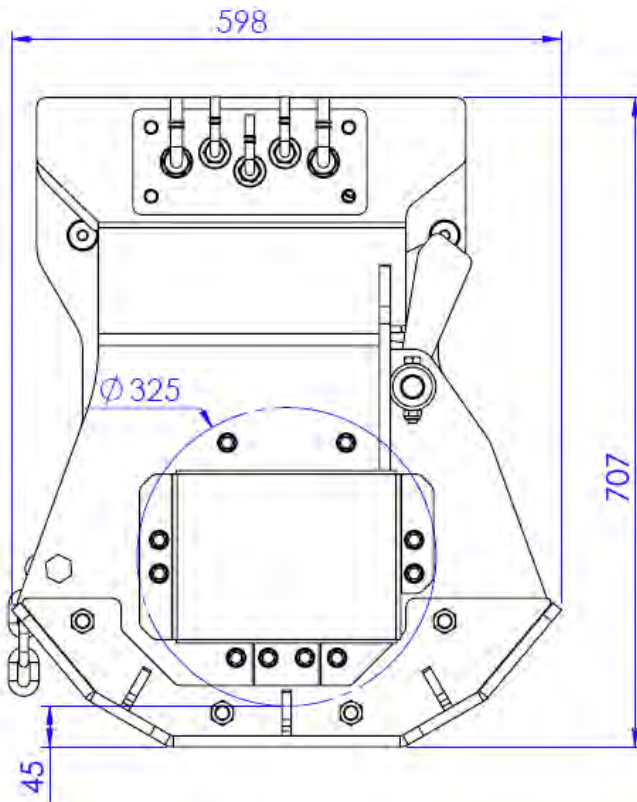
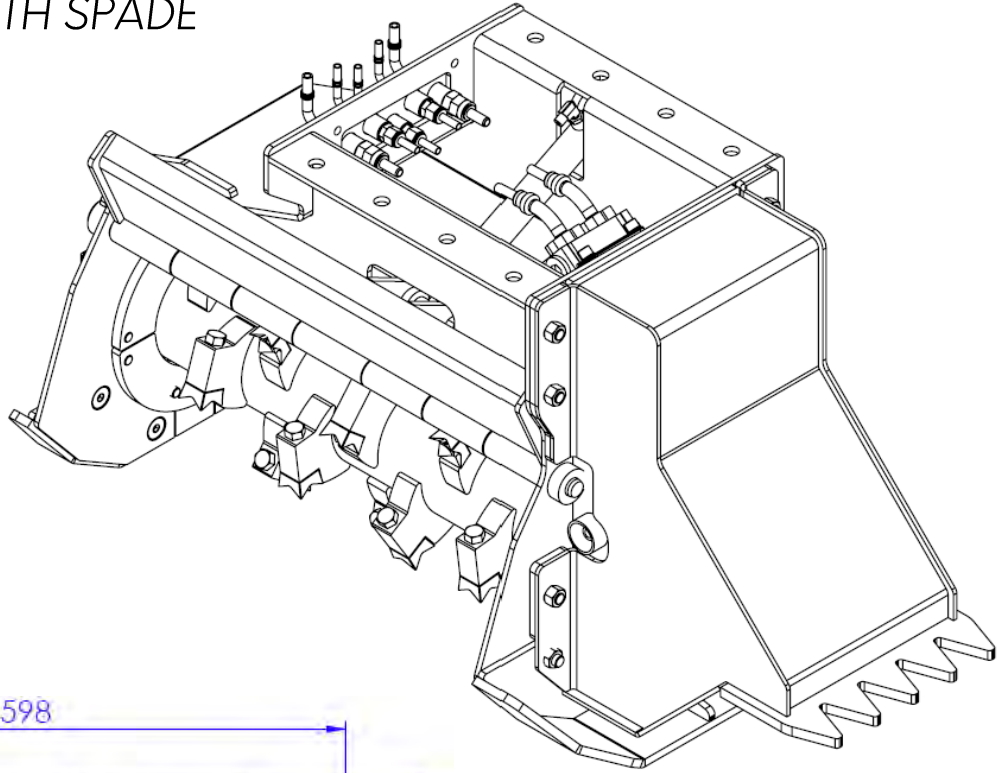
Working width (A)	Overall width (B)	Weight
800 mm	1036 mm	305 kg
1000 mm	1236 mm	345 kg



*Illustrations and dimensions are for guidance only.
 PLAISANCE EQUIPEMENTS reserves the right to modify them without notice.
 This plan is the property of PLAISANCE EQUIPEMENTS and may not be reproduced or
 transmitted without permission.
 All rights reserved*

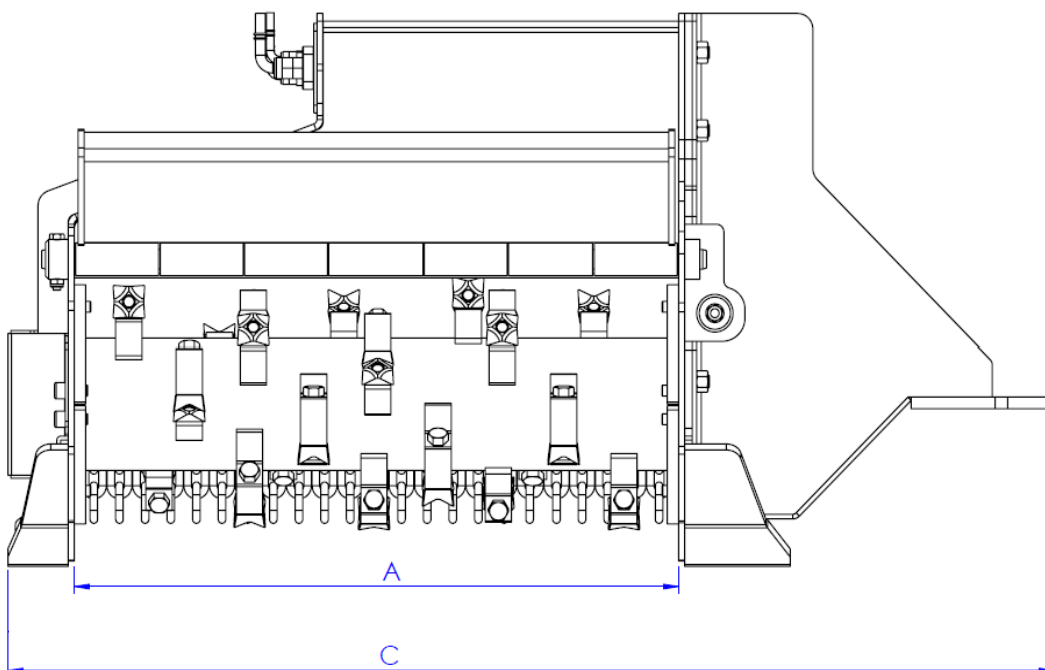
PLANS AND DIMENSIONS

MULCHER WITH SPADE (optional)

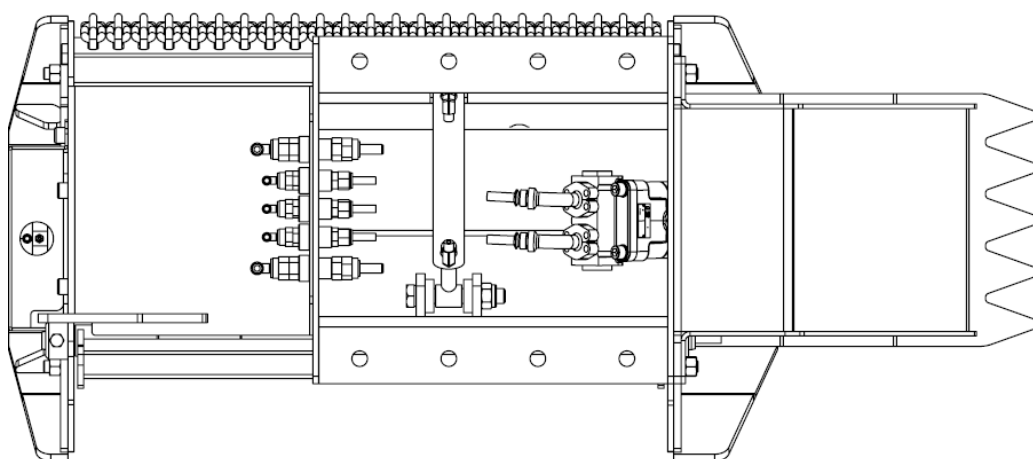


Illustrations and dimensions are for guidance only.
PLAISANCE EQUIPEMENTS reserves the right to modify them without notice.
This plan is the property of PLAISANCE EQUIPEMENTS and may not be reproduced or
transmitted without permission.
All rights reserved

WEIGHT AND DIMENSIONS (kg and mm)



Working width (A)	Overall width (C)	Weight
800 mm	1386 mm	347 kg
1000 mm	1586 mm	387 kg



*Illustrations and dimensions are for guidance only.
 PLAISANCE EQUIPEMENTS reserves the right to modify them without notice.
 This plan is the property of PLAISANCE EQUIPEMENTS and may not be reproduced or
 transmitted without permission.
 All rights reserved*

