



TECHNICAL DATASHEET

BFH 401

CONTACT US:

1 Grande rue
54540 MONTIGNY, France
Tel: +33 3 83 42 15 79



WWW.PLAISANCE-EQUIPEMENTS.COM

BFH 401

GENERAL INFORMATION

Rotor widths	1 m	1,2 m	1,5 m
Rotor diameter	500 mm		
Use	On hydraulic excavator		
Teeth	Single or double carbide tips ; Special steel teeth		
Teeth position on the rotor	Fixed - Helical and V positions		
Excavator weight	14 to 35 tons		
Side belt transmission to rotor	5 V-belts		
Curtain of chains	Anti-projection curtain of chains		
Protection door	Hydraulic with one heavy duty cylinder		
Safety	Anti-shock, anti-cavitation valves		
Frame	Reinforced with double rows of bronze cage rollers. Mounted in ground steel bearing		
Roller bearings holders	Mass cut steel bearing casing		
Skids	HARDOX 450® soles		
Counter blade	HARDOX® counter knives, inside frame		
Rotor protections	Anti-wire (mass cut)		
Hydraulic engine	According to excavator capacity		
Hydraulic flow/pressure	We adapt the hydraulic motor to your flow rates and pressures to optimize power and achieve maximum efficiency		

TEETH



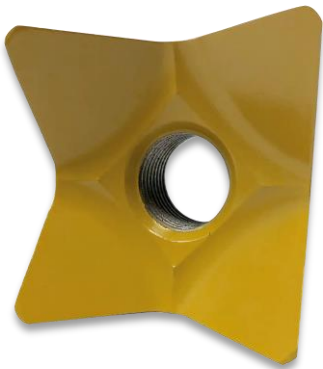
Wood tool
Single carb tip

OF5
40 to 65 teeth



Wood tool
Double carb tip

OF6
20 to 35 teeth



Wood tool
MXcut

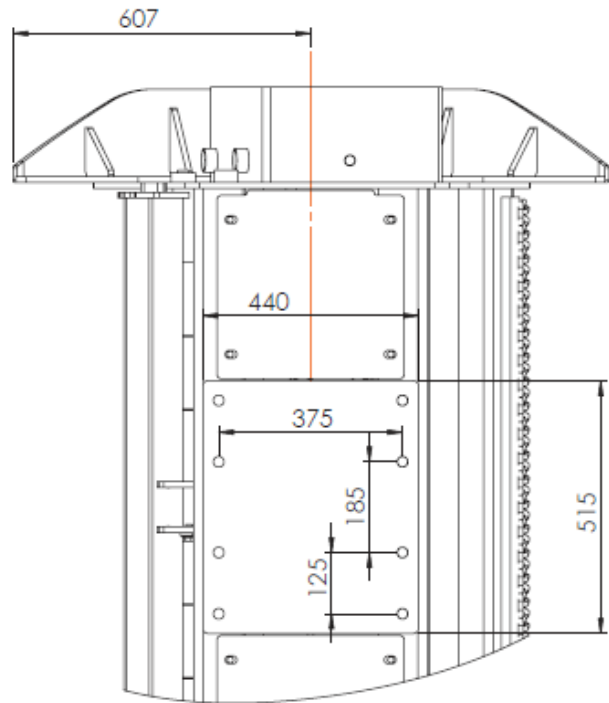
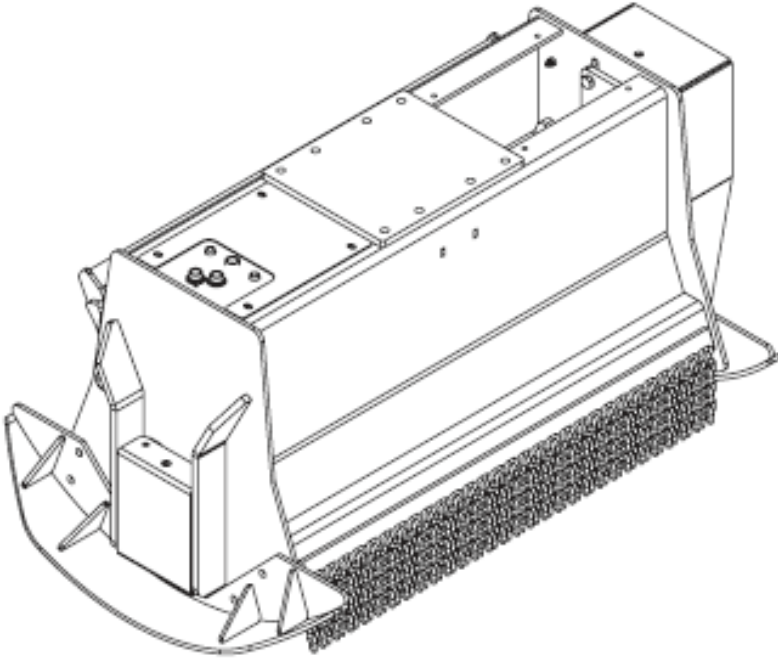
OFMX1
25 to 40 teeth



Wood tool
Double carb tip

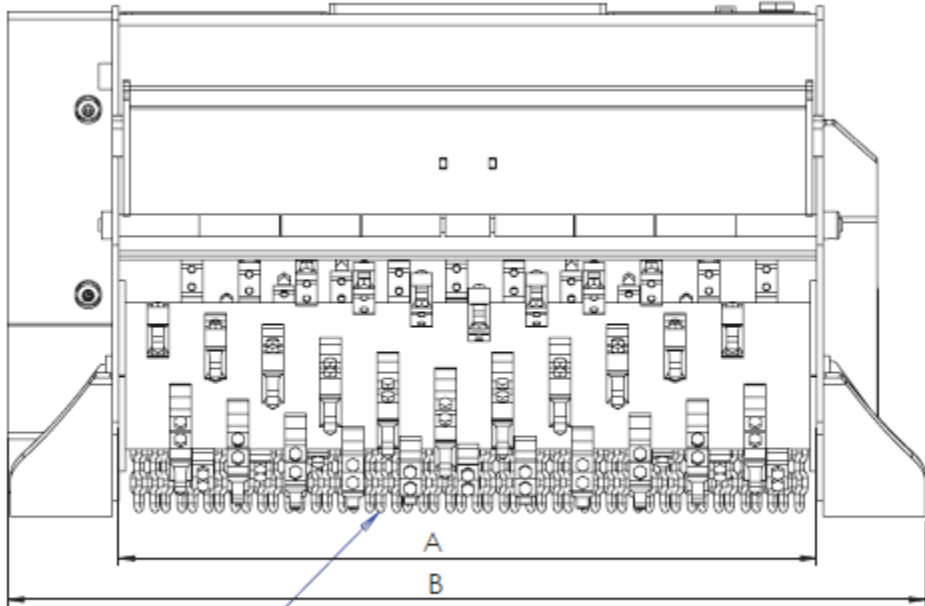
OF12
25 to 40 teeth

PLAN AND DIMENSIONS



Illustrations and dimensions are for guidance only.
PLAISANCE EQUIPEMENTS reserves the right to modify them without notice.
This plan is the property of PLAISANCE EQUIPEMENTS and may not be reproduced or
transmitted without permission.
All rights reserved

WEIGHT AND DIMENSIONS (kg and mm)



Curtain of chains

Working width (A)	Overall width (B)	Weight
1000 mm	1410 mm	1050 kg
1200 mm	1610 mm	1120 kg
1500 mm	1910 mm	1300 kg

