



TECHNICAL DATASHEET

BF 752

CONTACT US:

1 Grande rue
54540 MONTIGNY, France
Tel: +33 3 83 42 15 79



WWW.PLAISANCE-EQUIPEMENTS.COM

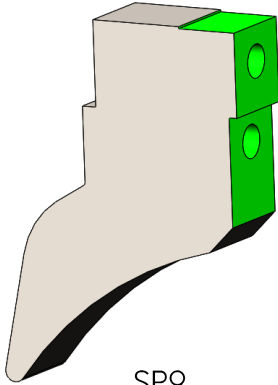
BF 752

GENERAL INFORMATION

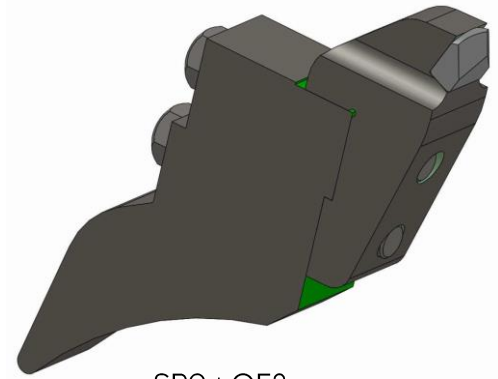
Rotor widths	2,2 m	2,5 m
Rotor diameter	660 mm	
Use	Forestry mulching	
Teeth	Simple carbide tips + side teeth	
Teeth position on the rotor	Fixed - Helical and V positions	
Engine power	300 to 600 hp	
Side belt transmission to rotor	2 polychain belts in carbon	
Curtain of chains	Anti-projection triple curtain of chains	
Hydraulic rake	With two cylinders (public works)	
Protection door	With two cylinders (public works)	
Frame	Strengthen - High tensile steel	
Rolling	Heavy duty roller bearings with double rows of rollers	
Rotor axis	Bolted shaft	
Skids	HARDOX 450® soles Adjustable in 3 positions : + 45 mm / 0 mm / - 45 mm	
Protections	Anti-wire cut in mass, bolted and interchangeable	
Gearbox	600 hp	
Hitch	3 rd and 4 th hydraulic point	

SIMPLE CARB TIP TEETH

HOLDERS



SP9



SP9+OF3

TEETH



Wood tool
 Simple carb tip

OF3
 98 to 112 teeth



Wood tool
 Simple carb tip

OF8
 98 to 112 teeth

SIDE TEETH



Side tool
 Double carb tip

OFL1
 2 side teeth

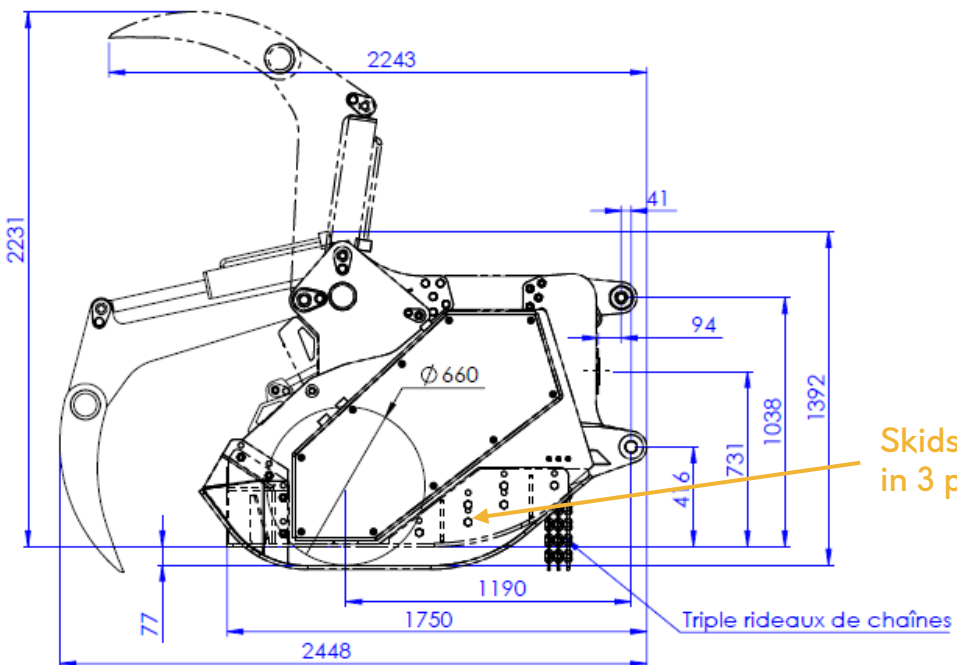
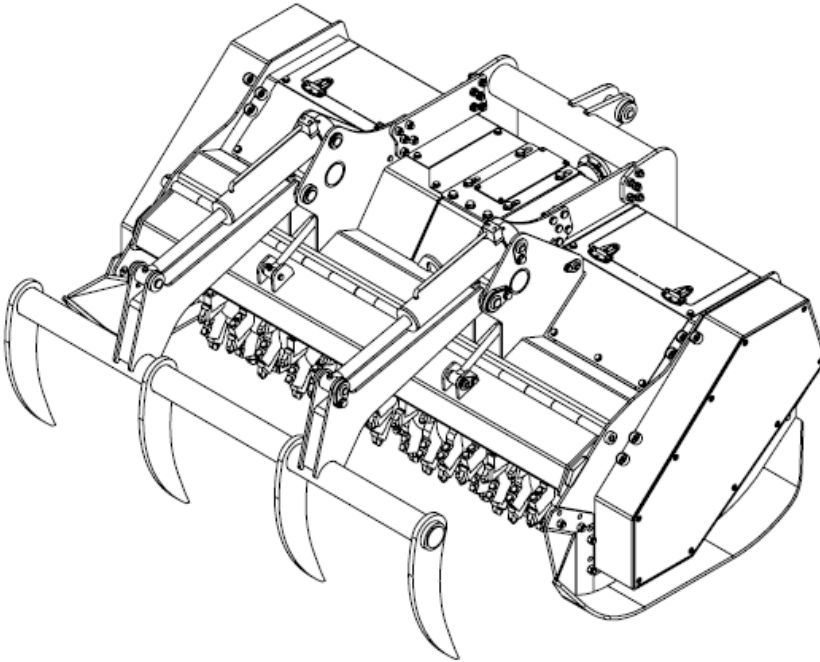


Side tool
 Quadruple carb tip

OFL2
 2 side teeth

Our side teeth are the same on the left and right.

PLAN AND DIMENSIONS



Skids adjustable in 3 positions

Illustrations and dimensions are for guidance only.
 PLAISANCE EQUIPEMENTS reserves the right to modify them without notice.
 This plan is the property of PLAISANCE EQUIPEMENTS and may not be reproduced or transmitted without permission.
 All rights reserved

RAKES AND DOOR



Rakes raised – Door closed



Rakes raised – Door opened

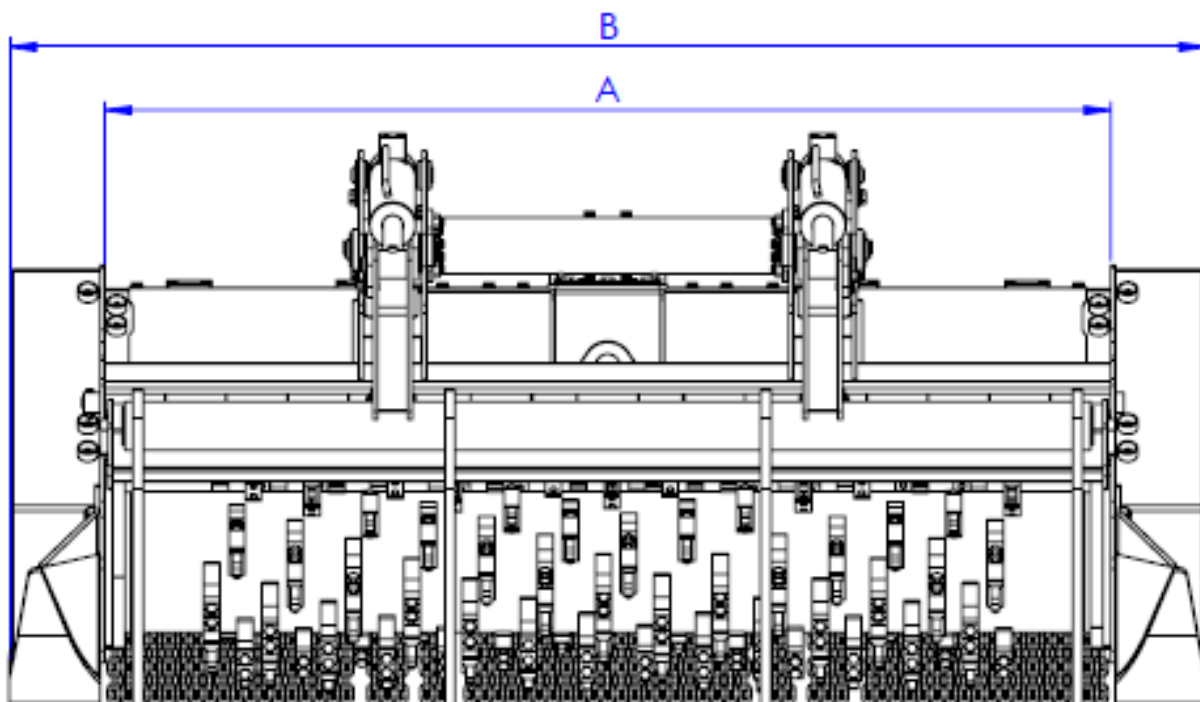


Rakes lowered – Door closed



Rakes lowered – Door opened

WEIGHT AND DIMENSIONS (kg and mm)



Working width (A)	Overall width (B)	Weight
2200 mm	2668 mm	4000 kg
2500 mm	2968 mm	4250 kg

Illustrations and dimensions are for indication only.
 PLAISANCE EQUIPEMENTS reserves the right to modify them without notice.
 This plan is the property of PLAISANCE EQUIPEMENTS and may not be reproduced or
 communicated without permission.
 All rights reserved

