



# TECHNICAL DATASHEET

## BF 652

**CONTACT US:**

1 Grande rue  
54540 MONTIGNY, France  
Tel: +33 3 83 42 15 79



[WWW.PLAISANCE-EQUIPEMENTS.COM](http://WWW.PLAISANCE-EQUIPEMENTS.COM)



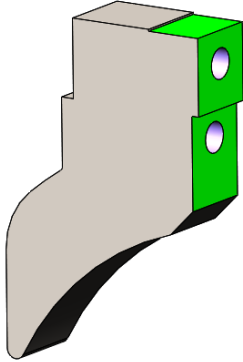
# BF 652

## GENERAL INFORMATION

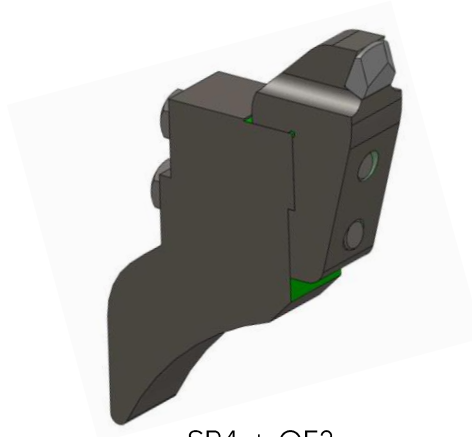
<b>Rotor widths</b>	2,2 m	2,4 m	2,5 m
<b>Rotor diameter</b>	590 mm		
<b>Use</b>	Forestry mulching		
<b>Teeth</b>	Simple or double carbide tips + side teeth		
<b>Teeth position on the rotor</b>	Fixed - Helical and V positions		
<b>Engine power</b>	300 to 600 hp		
<b>Side belt transmission to rotor</b>	2 polychain belts in carbon		
<b>Curtain of chains</b>	Anti-projection triple curtain of chains		
<b>Hydraulic rake</b>	With two cylinders (public works)		
<b>Protection door</b>	With two cylinders (public works)		
<b>Frame</b>	High tensile steel and HARDOX 450®		
<b>Rolling</b>	Heavy duty roller bearings with double rows of rollers		
<b>Rotor axis</b>	Bolted shaft		
<b>Skids</b>	HARDOX 450® soles Adjustable in 3 positions : + 45 mm / 0 mm / - 45 mm		
<b>Protections</b>	Anti-wire cut in mass, bolted and interchangeable		
<b>Gearbox</b>	600 hp		
<b>Hitch</b>	3 <sup>rd</sup> and 4 <sup>th</sup> hydraulic point		

# SIMPLE CARB TIP TEETH

## HOLDERS



SP4



SP4 + OF3

## TEETH



Wood tool  
 Simple carb tip

OF3  
 95 to 110 teeth



Wood tool  
 Simple carb tip

OF8  
 95 to 110 teeth

## SIDE TEETH



Side tool  
 Double carb tip

OFL1  
 2 side teeth



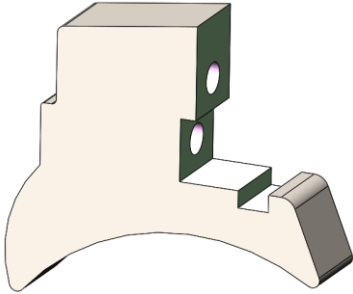
Side tool  
 Quadruple carb tip

OFL2  
 2 side teeth

*Our side teeth are the same on the left and right.*

# DOUBLE CARB TIP TEETH

## HOLDERS



SP14



SP14 + OF7

## TEETH



Wood tool  
 Double carb tip

OF7  
 45 to 50 teeth



Stone tool  
 Double carb tip

OM4  
 45 to 50 teeth

## SIDE TEETH



Side tool  
 Double carb tip

OFL3  
 2 side teeth

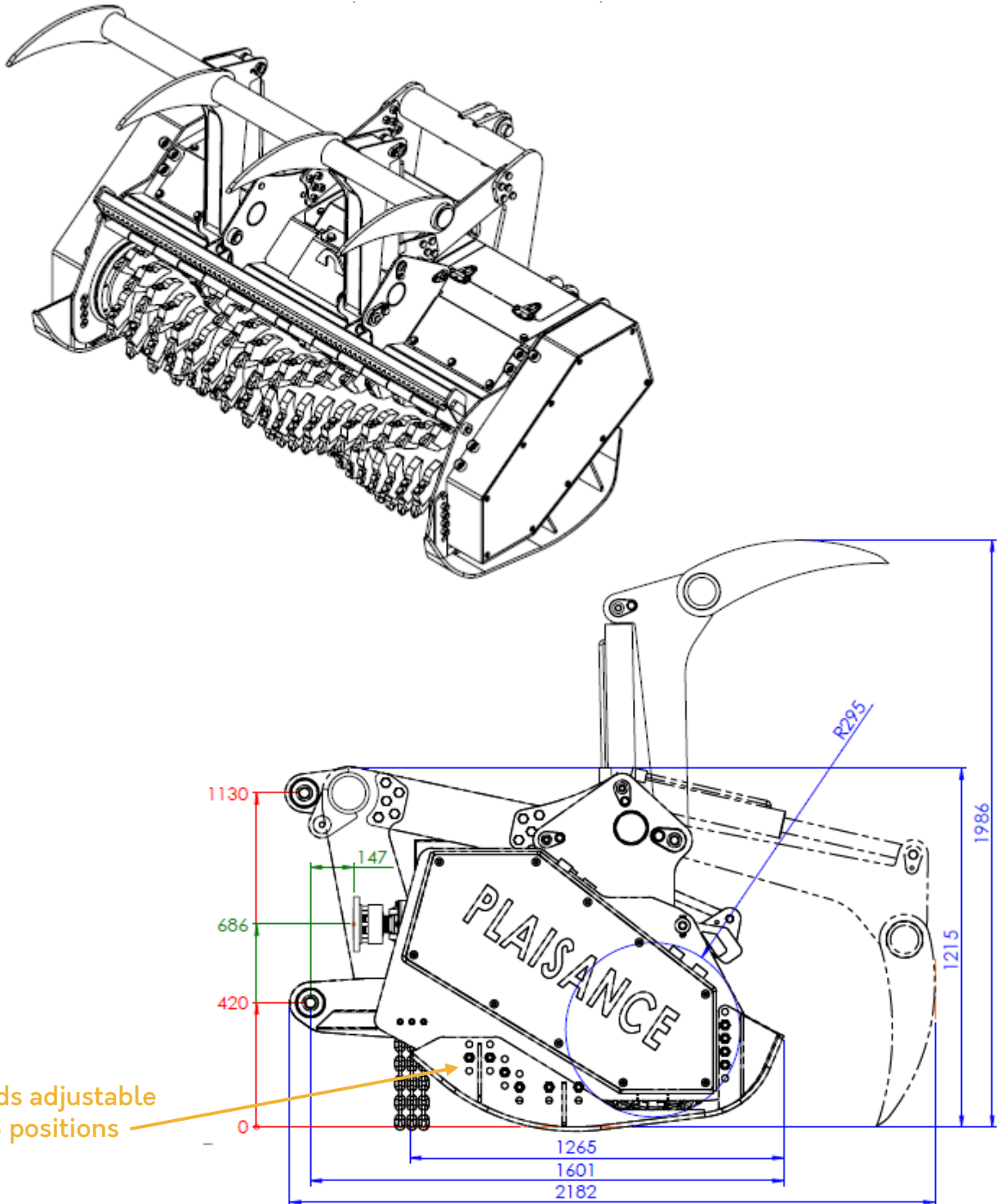


Side tool  
 Quadruple carb tip

OFL4  
 2 side teeth

*Our side teeth are the same on the left and right.*

## PLAN AND DIMENSIONS



Illustrations and dimensions are for guidance only.

PLAISANCE EQUIPEMENTS reserves the right to modify them without notice.

This plan is the property of PLAISANCE EQUIPEMENTS and may not be reproduced or transmitted without permission.

All rights reserved

## **RAKES AND DOOR**



Rakes raised – Door closed



Rakes raised – Door opened

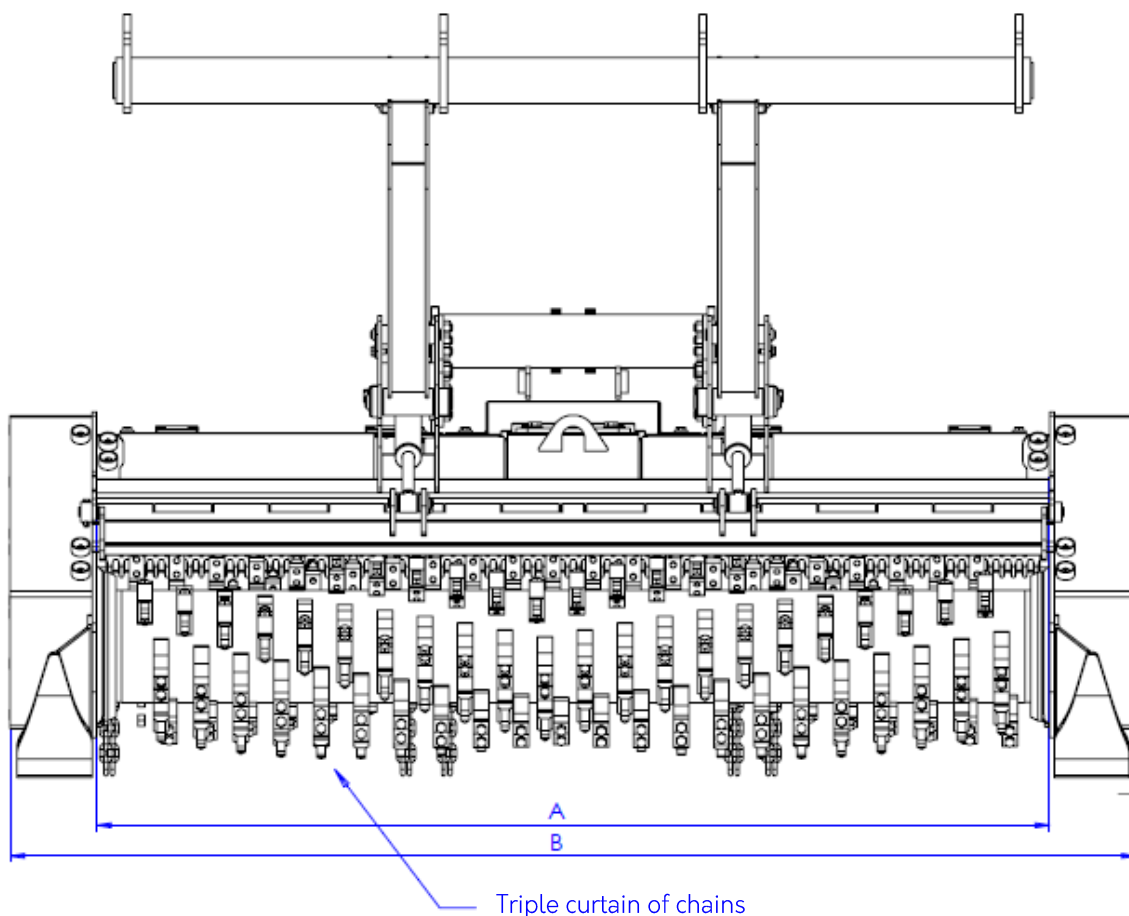


Rakes lowered – Door closed



Rakes lowered – Door opened

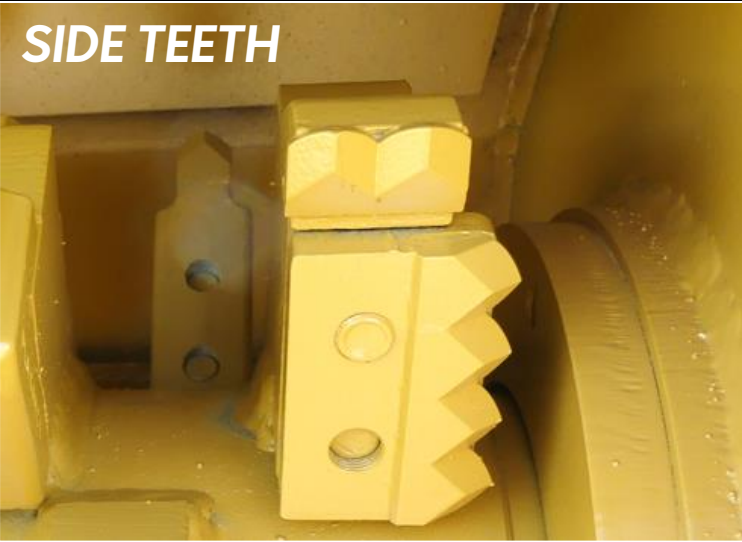
## WEIGHT AND DIMENSIONS (kg and mm)



<b>Working width (A)</b>	<b>Overall width (B)</b>	<b>Weight</b>
2200 mm	2655 mm	3330 kg
2400 mm	2855 mm	3500 kg
2500 mm	2955 mm	3600 kg

Illustrations and dimensions are for indication only.  
 PLAISANCE EQUIPEMENTS reserves the right to modify them without notice.  
 This plan is the property of PLAISANCE EQUIPEMENTS and may not be reproduced or  
 communicated without permission.  
 All rights reserved





**SIDE TEETH**