



TECHNICAL DATASHEET

BF 602

CONTACT US:

1 Grande rue
54540 MONTIGNY, France
Tel: +33 3 83 42 15 79



WWW.PLAISANCE-EQUIPEMENTS.COM

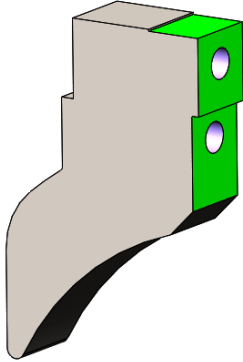
BF 602

GENERAL INFORMATION

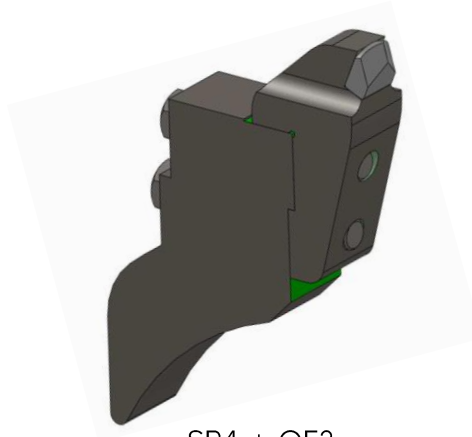
Rotor widths	2 m	2,2 m	2,4 m	2,5 m	3 m
Rotor diameter	600 mm				
Use	Forestry mulching				
Teeth	Simple or double carbide tips + side teeth				
Teeth position on the rotor	Fixed - Helical and V positions				
Engine power	250 to 400 hp				
Side belt transmission to rotor	2 polychain belts in carbon				
Curtain of chains	Anti-projection triple curtain of chains				
Hydraulic rake	With two cylinders (public works)				
Protection door	With two cylinders (public works)				
Frame	Strengthen - High tensile steel				
Rolling	Heavy duty roller bearings with double rows of rollers				
Rotor axis	Bolted shaft				
Skids	HARDOX 450® soles Adjustable in 3 positions : + 45 mm / 0 mm / - 45 mm				
Protections	Anti-wire cut in mass, bolted and interchangeable				
Gearbox	400 hp				
Hitch	3 rd and 4 th hydraulic point				

SIMPLE CARB TIP TEETH

HOLDERS



SP4



SP4 + OF3

TEETH



Wood tool
 Simple carb tip

OF3
 85 to 135 teeth



Wood tool
 Simple carb tip

OF8
 85 to 135 teeth

SIDE TEETH



Side tool
 Double carb tip

OFL1
 2 side teeth



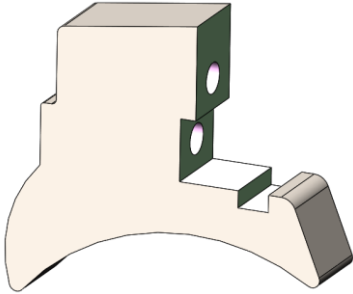
Side tool
 Quadruple carb tip

OFL2
 2 side teeth

Our side teeth are the same on the left and right.

DOUBLE CARB TIP TEETH

HOLDERS



SP14



SP14 + OF7

TEETH



Wood tool
 Double carb tip

OF7
 40 to 60 teeth



Stone tool
 Double carb tip

OM4
 40 to 60 teeth

SIDE TEETH



Side tool
 Double carb tip

OFL3
 2 side teeth



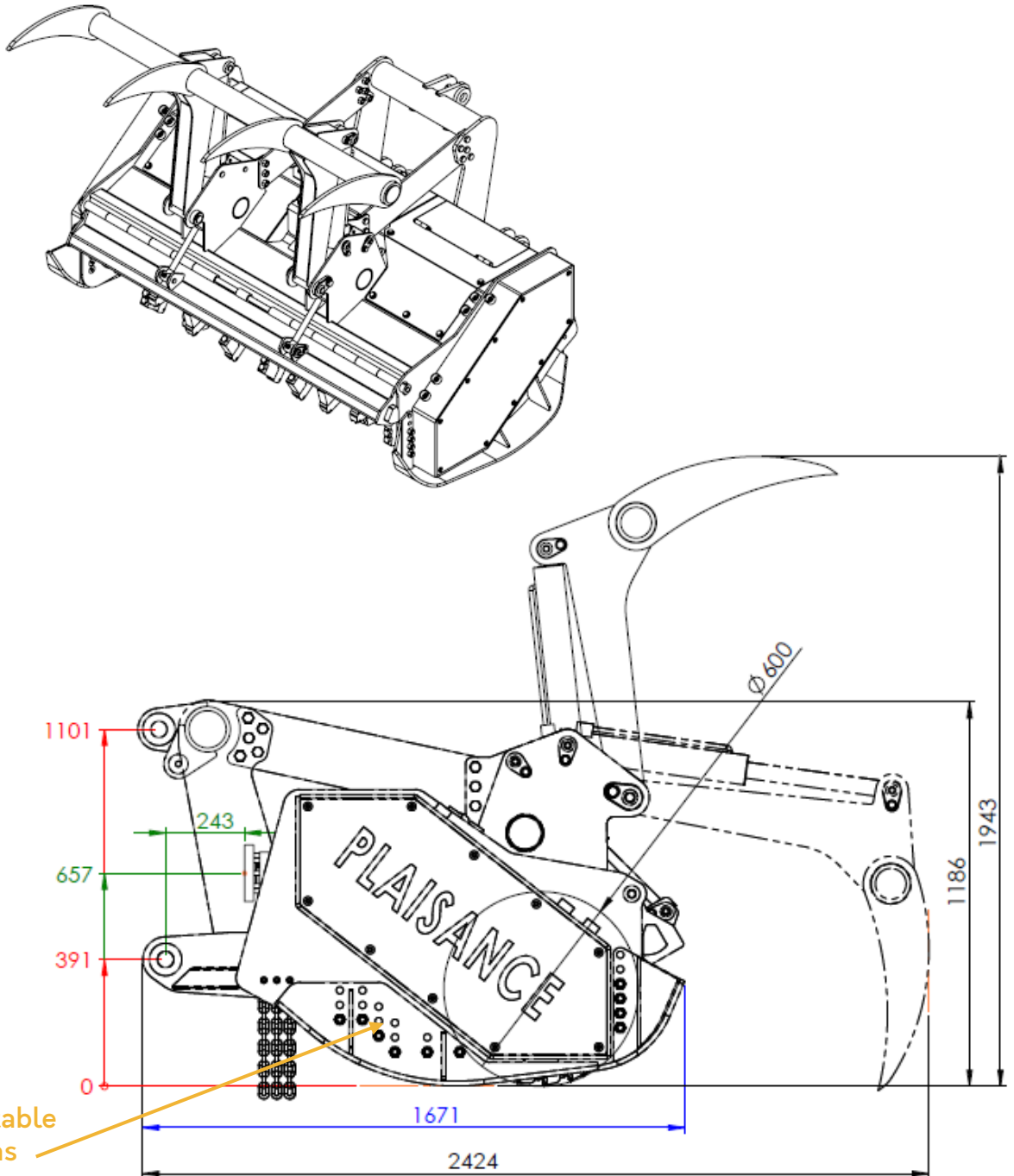
Side tool
 Quadruple carb tip

OFL4
 2 side teeth

Our side teeth are the same on the left and right.

PLAN AND DIMENSIONS

Standard version



Illustrations and dimensions are for guidance only.

PLAISANCE EQUIPEMENTS reserves the right to modify them without notice.

This plan is the property of PLAISANCE EQUIPEMENTS and may not be reproduced or transmitted without permission.

All rights reserved

RAKES AND DOOR



Rakes raised – Door closed



Rakes raised – Door opened



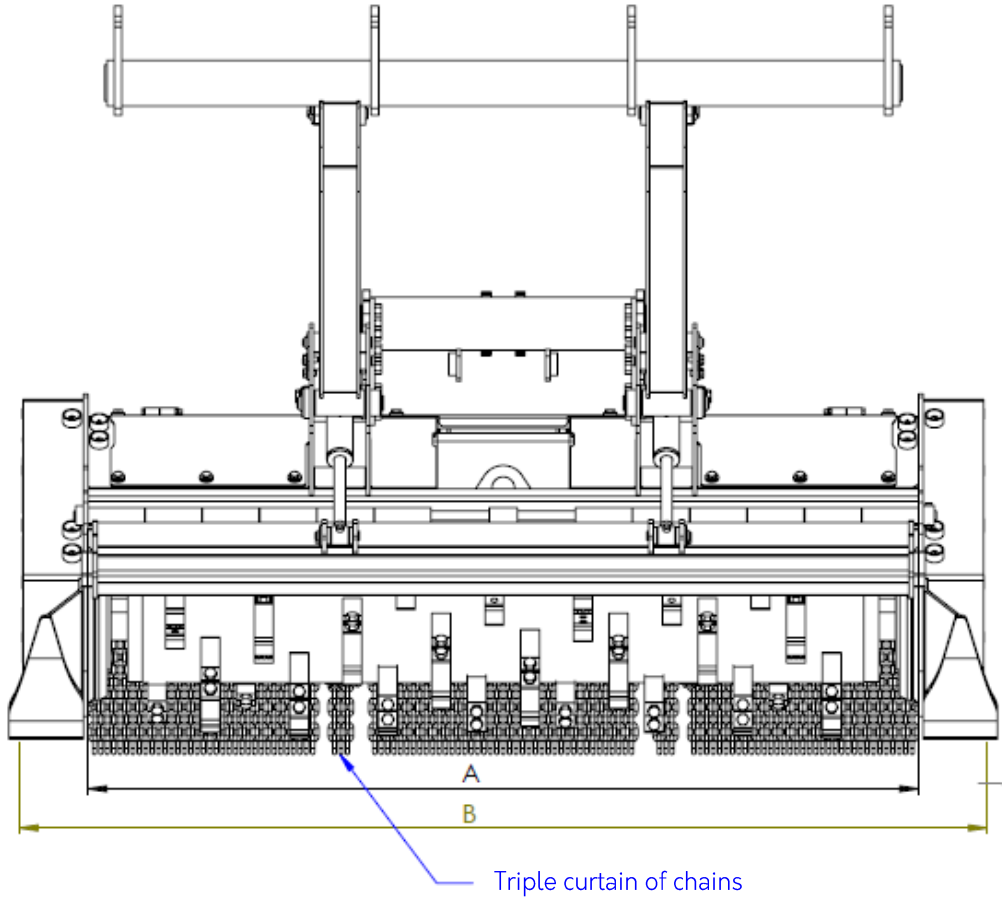
Rakes lowered – Door closed



Rakes lowered – Door opened

WEIGHT AND DIMENSIONS (kg and mm)

Standard version



Working width (A)	Overall width (B)	Weight
2000 mm	2564 mm	3185 kg
2200 mm	2864 mm	3400 kg
3000 mm	3364 mm	3820 kg

Illustrations and dimensions are for indication only.
 PLAISANCE EQUIPEMENTS reserves the right to modify them without notice.
 This plan is the property of PLAISANCE EQUIPEMENTS and may not be reproduced or
 communicated without permission.
 All rights reserved

