



TECHNICAL DATASHEET

BF 552

CONTACT US:

1 Grande rue
54540 MONTIGNY, France
Tel: +33 3 83 42 15 79



WWW.PLAISANCE-EQUIPEMENTS.COM

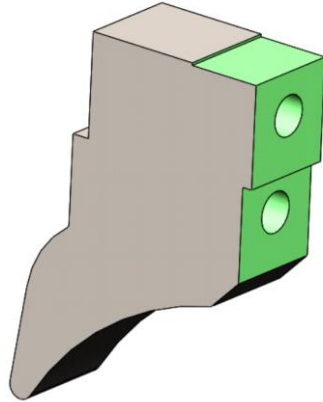
BF 552

GENERAL INFORMATION

Rotor width	1,8 m	2 m	2,2 m
Rotor diameter	500 mm		
Use	Forestry mulching		
Teeth	Simple or double carbide tips + side teeth		
Teeth position on the rotor	Fixed - Helical and V positions		
Engine power	150 to 250 hp		
Side belt transmission to rotor	2 polychain belts in carbon		
Curtain of chains	Double anti-projection curtain of chains		
Hydraulic rake	With two cylinders (public works)		
Protection door	With two cylinders (public works)		
Frame	Strengthen - High tensile steel		
Rolling	Heavy duty roller bearings with double rows of rollers. Setted up in precision-cut steel bearings.		
Rotor axis	Bolted shaft		
Skids	HARDOX 450® soles Adjustable in 3 positions : + 45 mm / 0 mm / - 45 mm		
Protections	Anti-wire cut in mass, bolted and interchangeable		
Gearbox	400 hp		
Hitch	2 nd and 3 rd hydraulic point		

HOLDERS & TEETH

HOLDERS



SP24

TEETH



Wood tool
Simple carb tip

OF3
75 to 95 teeth

SIDE TEETH



Side tool
Double carb tip

OFL1
2 side teeth

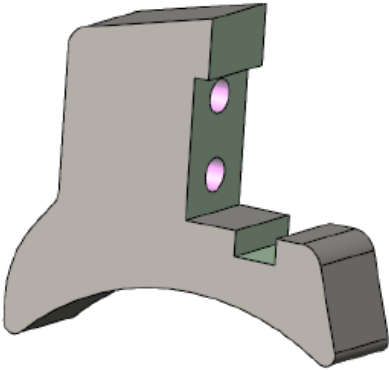


Side tool
Quadruple carb tip

OFL2
2 side teeth

Our side teeth are the same on the left and right.

HOLDERS



SP20



SP20 + OF11

TEETH



Wood tool
 Double carb tip

OF11
 45 to 55 teeth



Stone tool
 Simple carb tip

OM5
 45 to 55 teeth

SIDE TEETH



Side tool
 Double carb tip

OFL11
 2 side teeth



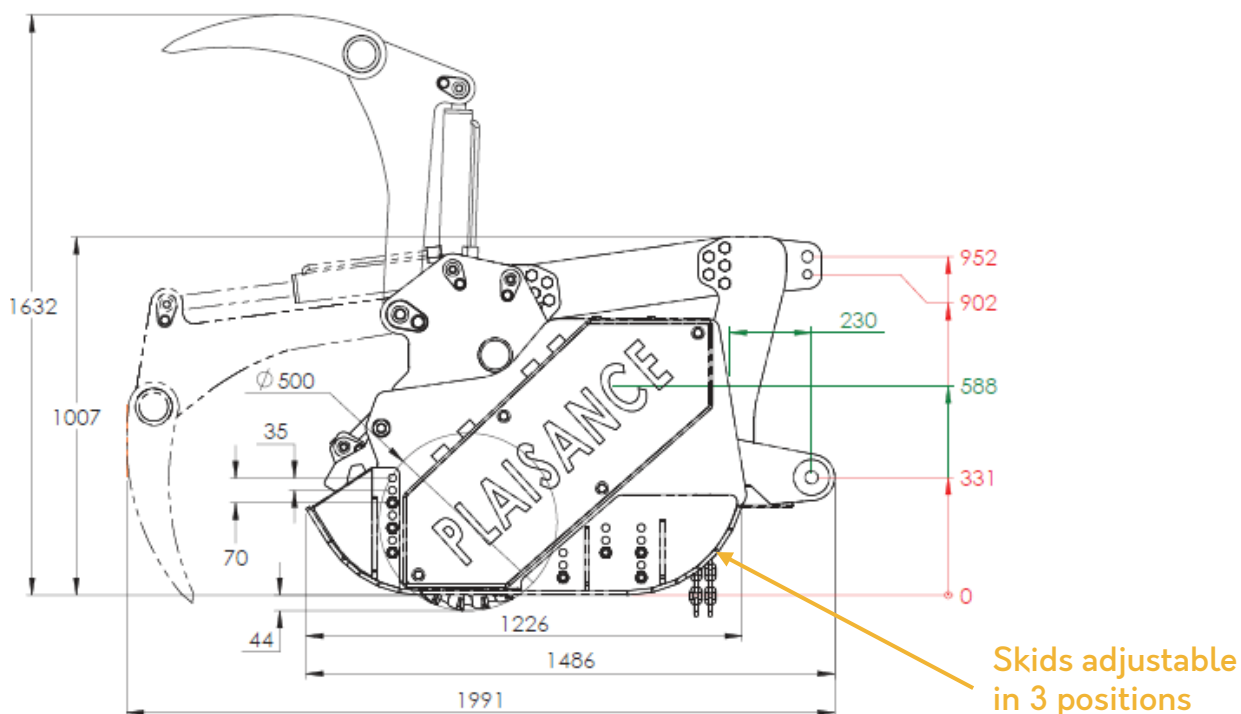
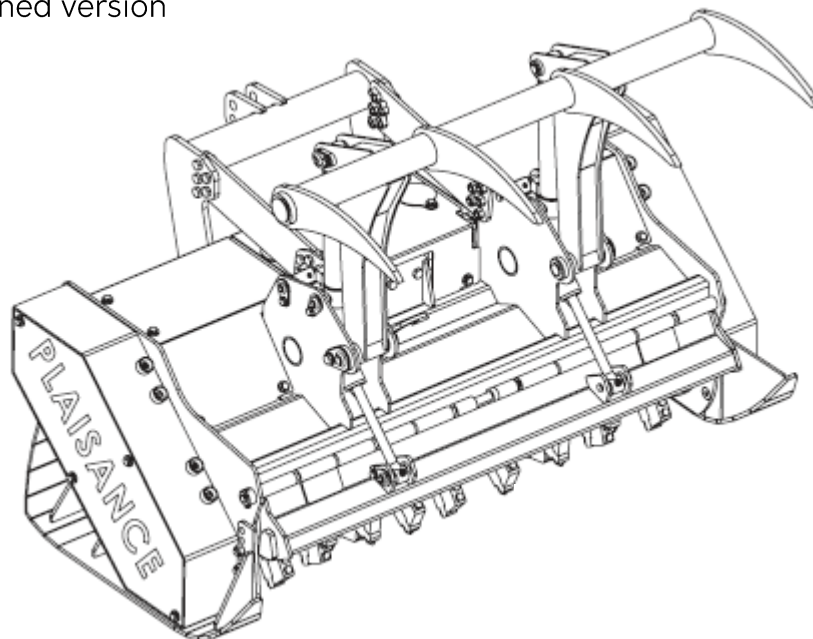
Side tool
 Triple carb tip

OFL8
 2 side teeth

Our side teeth are the same on the left and right.

PLAN AND DIMENSIONS

Strengthened version



Illustrations and dimensions are for guidance only.
 PLAISANCE EQUIPEMENTS reserves the right to modify them without notice.
 This plan is the property of PLAISANCE EQUIPEMENTS and may not be reproduced or transmitted without permission.
 All rights reserved

RAKES AND DOOR



Rakes raised – Door closed



Rakes raised – Door opened



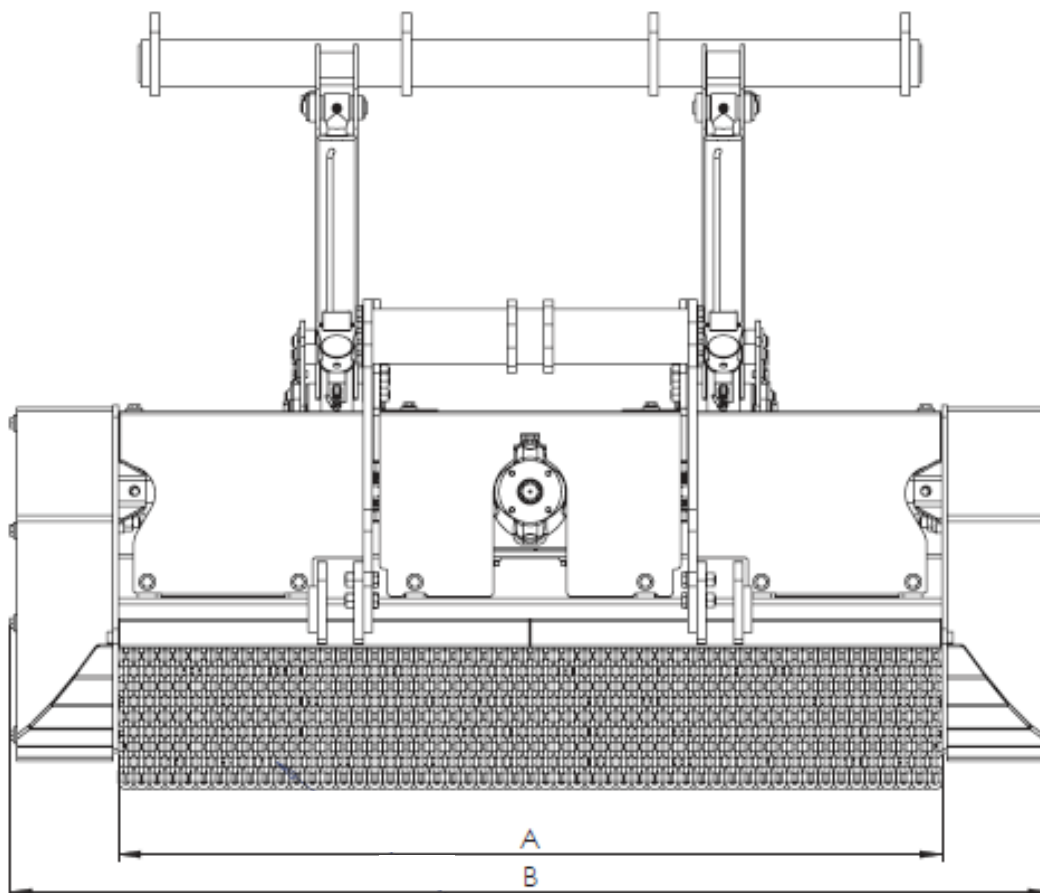
Rakes lowered – Door closed



Rakes lowered – Door opened

WEIGHT AND DIMENSIONS (kg and mm)

Strengthened version



Working width (A)	Overall width (B)	Weight
1800 mm	2274 mm	2000 kg
2000 mm	2474 mm	2090 kg
2200 mm	2674 mm	2150 kg

Illustrations and dimensions are for indication only.
 PLAISANCE EQUIPEMENTS reserves the right to modify them without notice.
 This plan is the property of PLAISANCE EQUIPEMENTS and may not be reproduced or
 communicated without permission.
 All rights reserved

