



# TECHNICAL DATASHEET

## BF 500

CONTACT US:

1 Grande rue  
54540 MONTIGNY, France  
Tel: +33 3 83 42 15 79



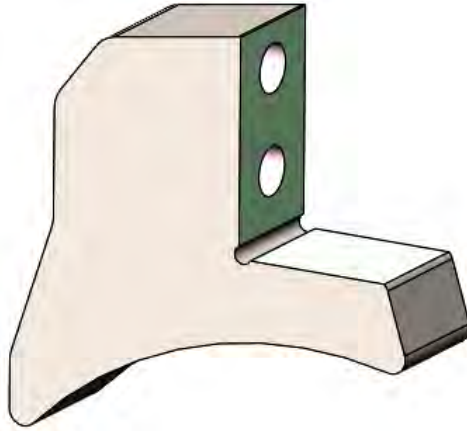
[WWW.PLAISANCE-EQUIPEMENTS.COM](http://WWW.PLAISANCE-EQUIPEMENTS.COM)

# BF 500

## GENERAL INFORMATION

<i>Rotor widths</i>	1,6 m	1,8 m	2 m
<i>Rotor diameter</i>	490 mm		
<i>Use</i>	Forestry mulching		
<i>Teeth</i>	Double carbide tips or special teeth MXcut + side teeth		
<i>Teeth position on the rotor</i>	Fixed - Helical and V positions		
<i>Engine power</i>	70 to 120 hp		
<i>Side belt transmission to rotor</i>	5 V-belts (one side only)		
<i>Curtain of chains</i>	Anti-projection curtain of chains		
<i>Push bar</i>	Fixed (optional)		
<i>Protection door</i>	With one cylinder		
<b>Frame</b>	Steel		
<i>Rolling</i>	Cast-iron bearing		
<b>Rotor axis</b>	Bolted shafts		
<b>Skids</b>	HARDOX 450® soles		
<b>Protections</b>	Anti-wire cut in mass, bolted and interchangeable		
<i>Gearbox</i>	300 hp		
<i>Hitch</i>	2 <sup>nd</sup> and 3 <sup>rd</sup> hydraulic point		

## HOLDER



SP3

## TEETH



Wood tool  
 Double carb tip

OF6  
 35 to 45 teeth

## SIDE TEETH



Side tool  
 Double carb tip

OFL5  
 2 side teeth

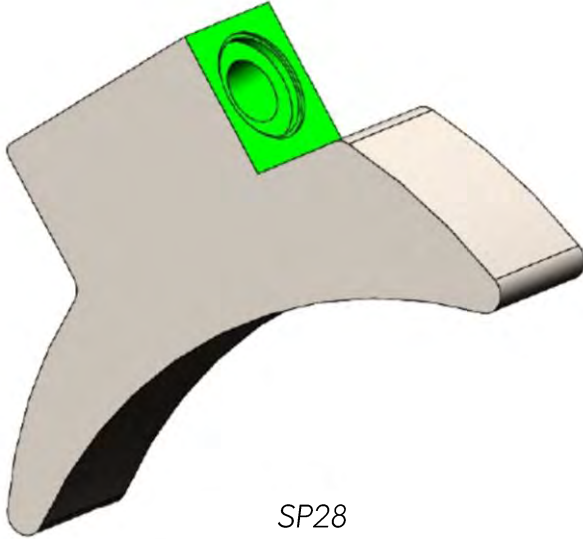


Side tool  
 Triple carb tip

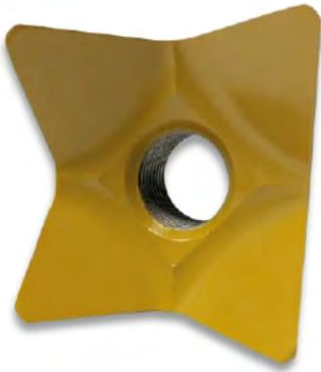
OFL6  
 2 side teeth

*Our side teeth are the same on the left and right.*

## HOLDER



## TEETH



Wood tool  
MXcut

---

OFMX1  
35 to 45 teeth

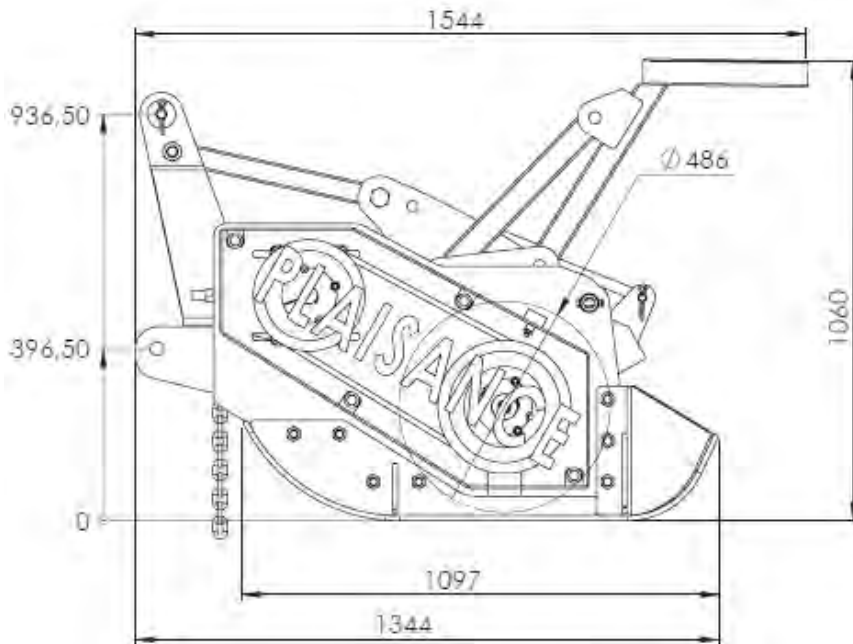
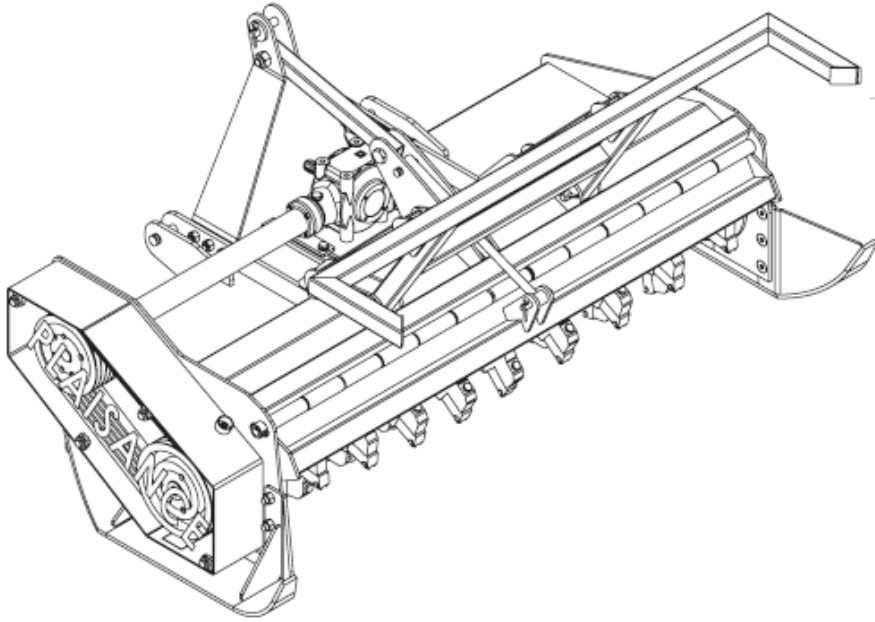


Wood tool  
Double carb tip

---

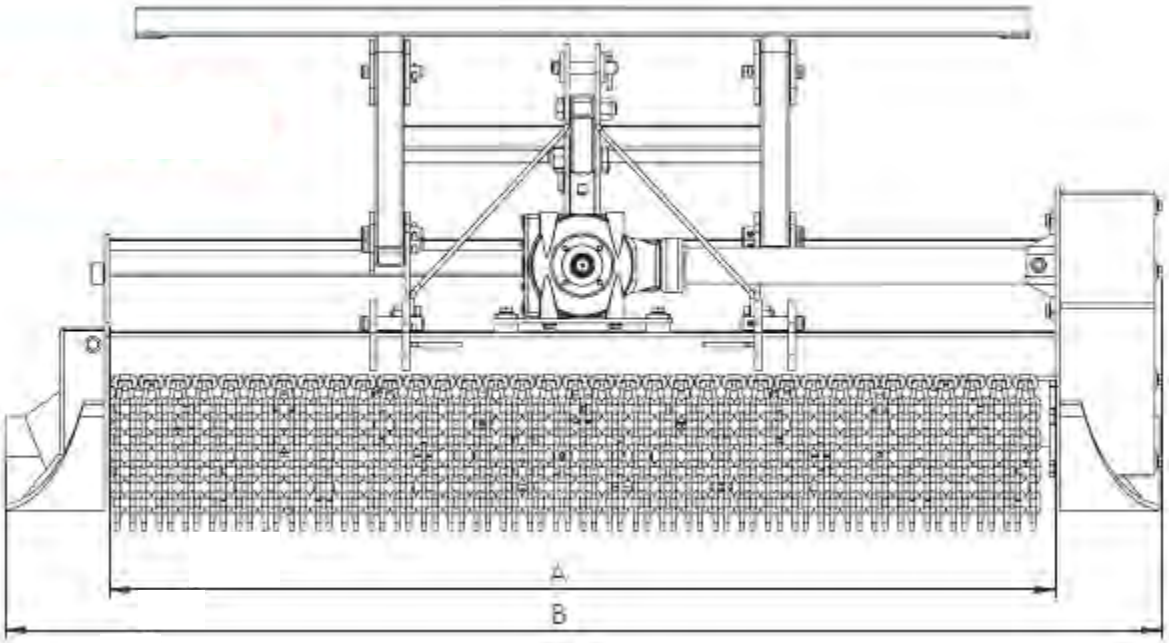
OF12  
35 to 45 teeth

## PLAN AND DIMENSIONS



*Illustrations and dimensions are for indication only.  
PLAISANCE EQUIPEMENTS reserves the right to modify them without notice.  
This plan is the property of PLAISANCE EQUIPEMENTS and may not be  
reproduced or communicated without permission.  
All rights reserved*

## **WEIGHT AND DIMENSIONS (kg and mm)**



<b>Working width (A)</b>	<b>Overall width (B)</b>	<b>Weight</b>
1600 mm	2045 mm	950 kg
1800 mm	2245 mm	1020 kg
2000 mm	2445 mm	1090 kg

*Illustrations and dimensions are for indication only.  
 PLAISANCE EQUIPEMENTS reserves the right to modify them without notice.  
 This plan is the property of PLAISANCE EQUIPEMENTS and may not be  
 reproduced or communicated without permission.  
 All rights reserved*

