



TECHNICAL DATASHEET

BF 500

CONTACT US:

1 Grande rue
54540 MONTIGNY, France
Tel: +33 3 83 42 15 79



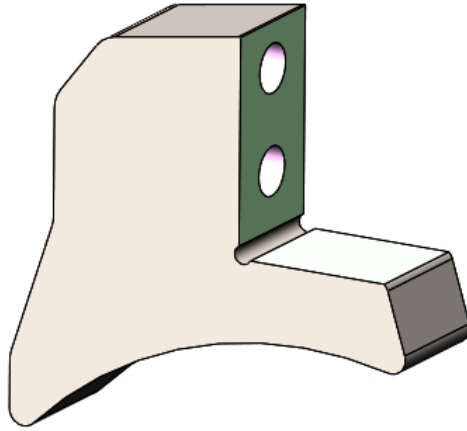
WWW.PLAISANCE-EQUIPEMENTS.COM

BF 500

GENERAL INFORMATION

Rotor widths	1,6 m	1,8 m	2 m
Rotor diameter	490 mm		
Use	Forestry mulching		
Teeth	Double carbide tips + side teeth		
Teeth position on the rotor	Fixed - Helical and V positions		
Engine power	70 to 120 hp		
Side belt transmission to rotor	5 V-belts (one side only)		
Curtain of chains	Anti-projection curtain of chains		
Push bar	Fixed (optional)		
Protection door	With one cylinder		
Frame	Steel		
Rolling	Cast-iron bearing		
Rotor axis	Bolted shaft		
Skids	HARDOX 450® soles		
Protections	Anti-wire cut in mass, bolted and interchangeable		
Gearbox	300 hp		
Hitch	2 nd and 3 rd hydraulic point		

HOLDERS



SP3

TEETH



Wood tool
Double carb tip

OF6
35 to 45 teeth

SIDE TEETH



Side tool
Double carb tip

OFL5
2 side teeth

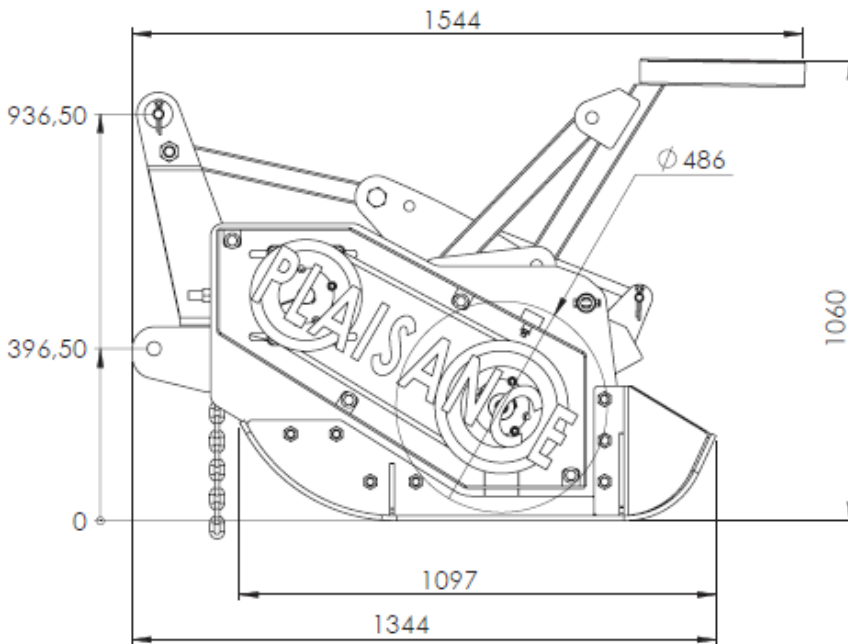
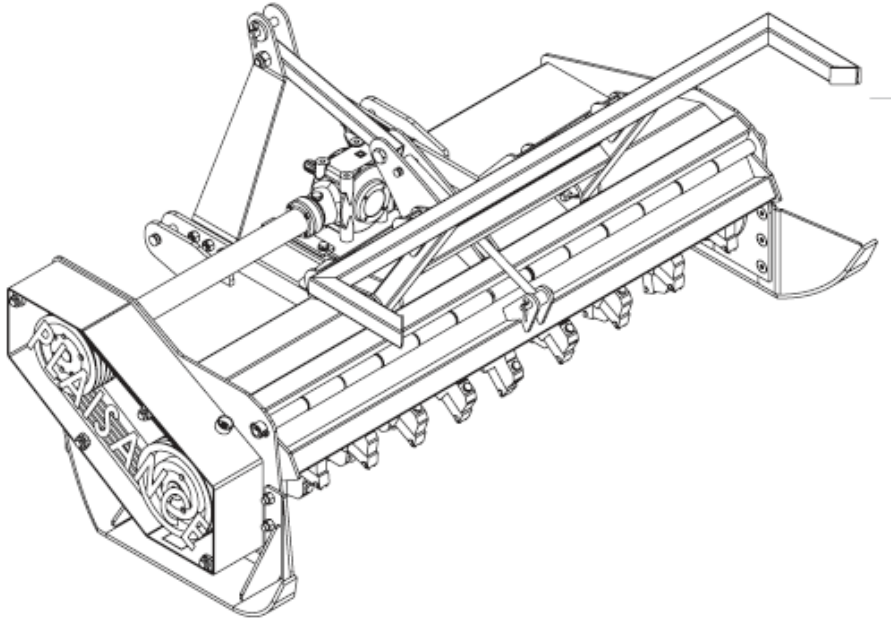


Side tool
Triple carb tip

OFL6
2 side teeth

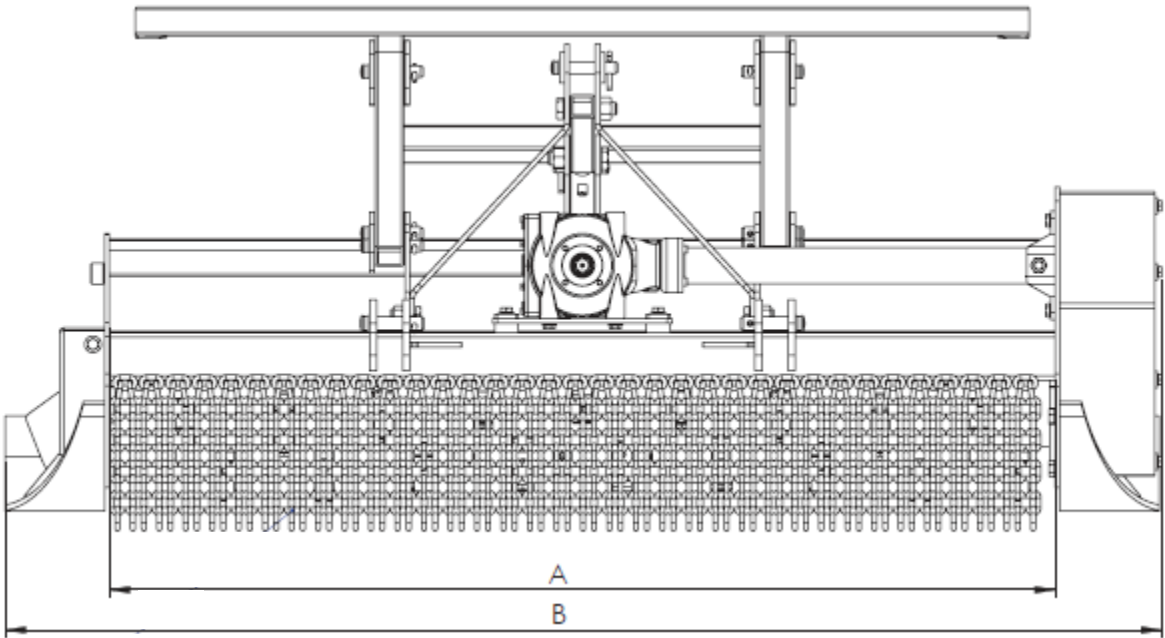
Our side teeth are the same on the left and right.

PLAN AND DIMENSIONS



Illustrations and dimensions are for indication only.
 PLAISANCE EQUIPEMENTS reserves the right to modify them without notice.
 This plan is the property of PLAISANCE EQUIPEMENTS and may not be reproduced or communicated without permission.
 All rights reserved

WEIGHT AND DIMENSIONS (kg and mm)



Working width (A)	Overall width (B)	Weight
1600 mm	2045 mm	950 kg
1800 mm	2245 mm	1020 kg
2000 mm	2445 mm	1090 kg

Illustrations and dimensions are for indication only.
 PLAISANCE EQUIPEMENTS reserves the right to modify them without notice.
 This plan is the property of PLAISANCE EQUIPEMENTS and may not be reproduced or communicated without permission.
 All rights reserved

