



TECHNICAL DATASHEET

BF 401

CONTACT US:

1 Grande rue
54540 MONTIGNY, France
Tel: +33 3 83 42 15 79



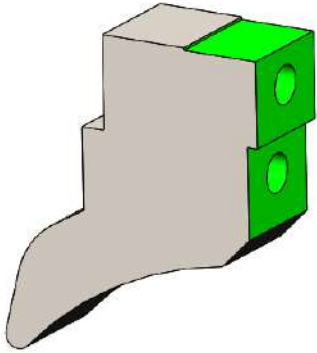
WWW.PLAISANCE-EQUIPEMENTS.COM

BF 401

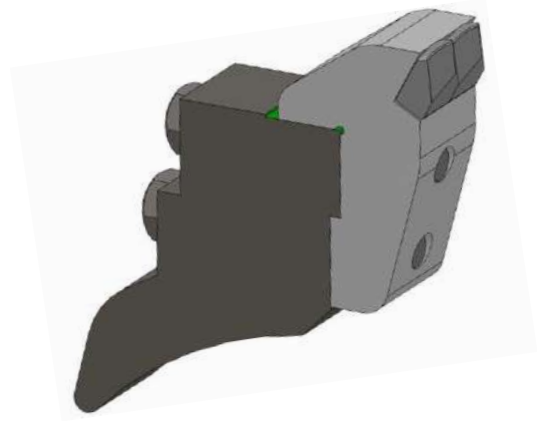
GENERAL INFORMATION

Rotor widths	1,5 m	1,8 m	2 m
Rotor diameter	500 mm		
Use	Forestry mulching		
Teeth	Double carbide tips + side teeth		
Teeth position on the rotor	Fixed - Helical and V positions		
Engine power	70 to 160 hp		
Side belt transmission to rotor	4 V-belts by side		
Curtain of chains	Anti-projection curtain of chains		
Hydraulic rake	With two cylinders (public works)		
Protection door	With two cylinders (public works)		
Frame	Strengthen - High tensile steel		
Rolling	Heavy duty roller bearings with double rows of rollers		
Rotor axis	Bolted shaft		
Skids	HARDOX 450® soles		
Protections	Anti-wire cut in mass, bolted and interchangeable		
Gearbox	300 hp		
Hitch	2 nd and 3 rd hydraulic point		

HOLDERS



SP11



SP11 + OF6

TEETH



Wood tool
 Double carb tip

OF6
 35 to 50 teeth

SIDE TEETH



Side tool
 Double carb tip

OFL5
 2 side teeth



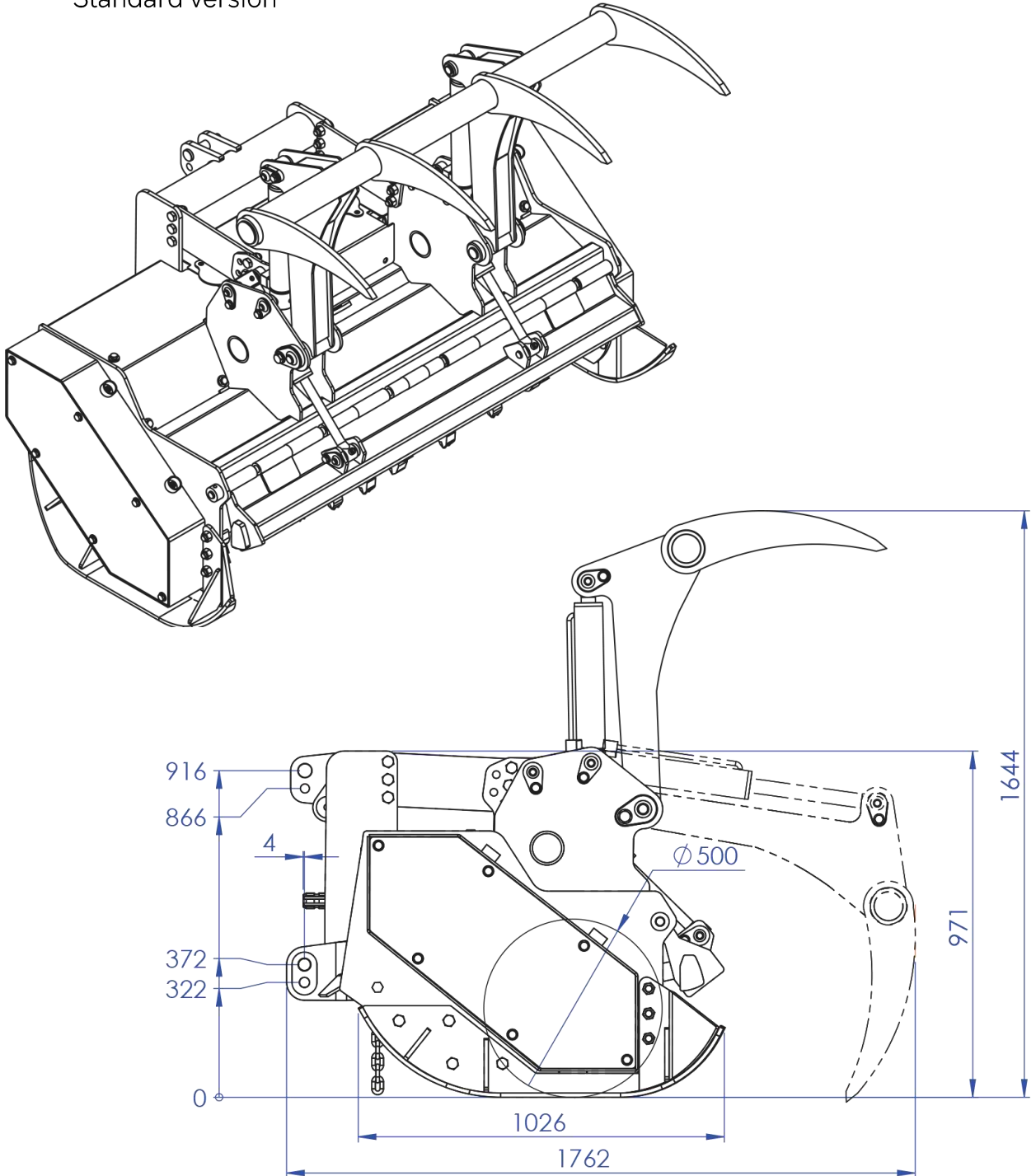
Side tool
 Triple carb tip

OFL6
 2 side teeth

Our side teeth are the same on the left and right.

PLAN AND DIMENSIONS

Standard version



Illustrations and dimensions are for indication only.
 PLAISANCE EQUIPEMENTS reserves the right to modify them without notice.
 This plan is the property of PLAISANCE EQUIPEMENTS and may not be
 reproduced or communicated without permission.
 All rights reserved

RAKES AND DOOR



Rakes raised – Door closed



Rakes raised – Door opened



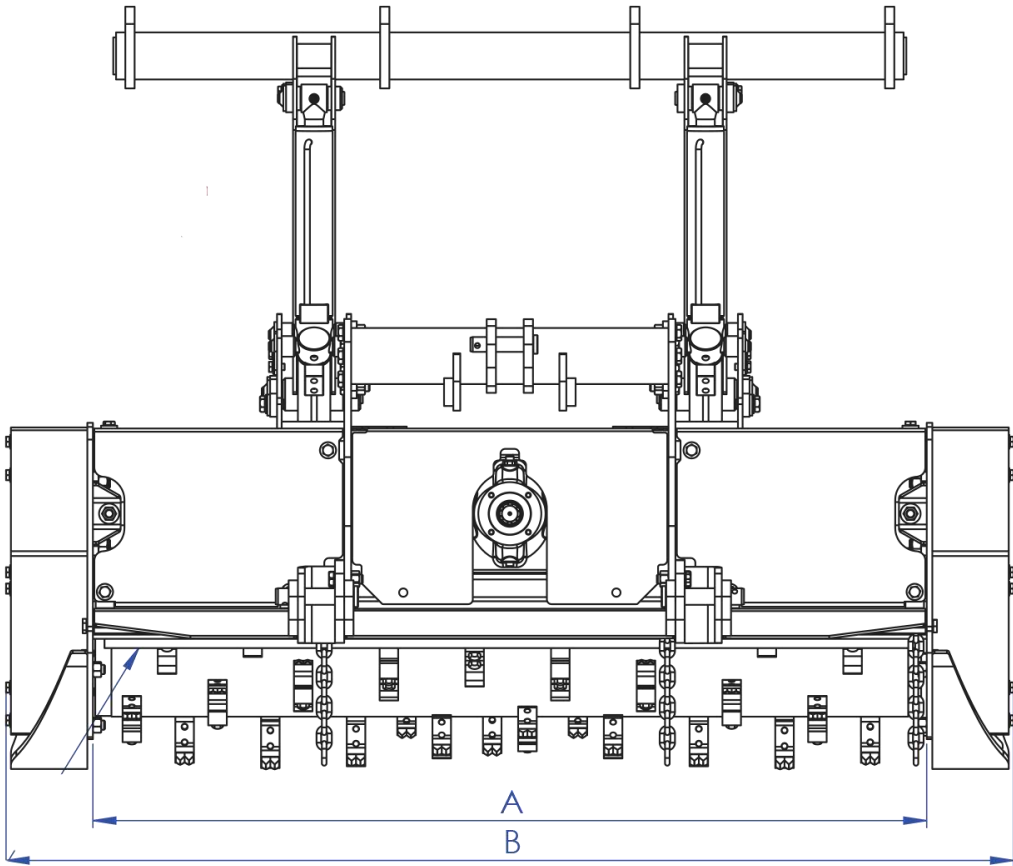
Rakes lowered – Door closed



Rakes lowered – Door opened

WEIGHT AND DIMENSIONS (kg and mm)

Standard version



Working width (A)	Overall width (B)	Weight
1500 mm	1875 mm	1400 kg
1800 mm	2175 mm	1475 kg
2000 mm	2375 mm	1520 kg

Illustrations and dimensions are for indication only.
 PLAISANCE EQUIPEMENTS reserves the right to modify them without notice.
 This plan is the property of PLAISANCE EQUIPEMENTS and may not be reproduced or communicated without permission.
 All rights reserved

