



# TECHNICAL DATASHEET

## BF 401

CONTACT US:

1 Grande rue  
54540 MONTIGNY, France  
Tel: +33 3 83 42 15 79



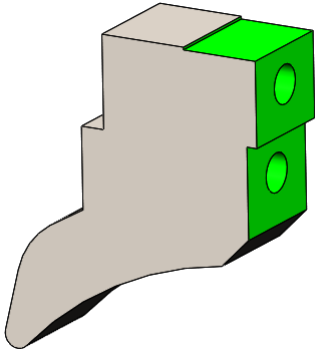
[WWW.PLAISANCE-EQUIPEMENTS.COM](http://WWW.PLAISANCE-EQUIPEMENTS.COM)

# BF 401

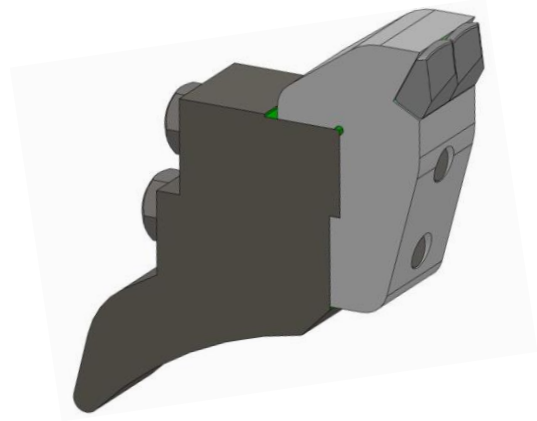
## GENERAL INFORMATION

<b>Rotor widths</b>	1,5 m	1,8 m	2 m
<b>Rotor diameter</b>	500 mm		
<b>Use</b>	Forestry mulching		
<b>Teeth</b>	Double carbide tips + side teeth		
<b>Teeth position on the rotor</b>	Fixed - Helical and V positions		
<b>Engine power</b>	70 to 160 hp		
<b>Side belt transmission to rotor</b>	4 V-belts by side		
<b>Curtain of chains</b>	Anti-projection curtain of chains		
<b>Hydraulic rake</b>	With two cylinders (public works)		
<b>Protection door</b>	Hydraulic with two cylinders (public works)		
<b>Frame</b>	Strengthen - High tensile steel		
<b>Rolling</b>	Heavy duty roller bearings with double rows of rollers		
<b>Rotor axis</b>	Bolted shafts		
<b>Skids</b>	HARDOX 450® soles		
<b>Protections</b>	Anti-wire cut in mass, bolted and interchangeable		
<b>Gearbox</b>	300 hp		
<b>Hitch</b>	2 <sup>nd</sup> and 3 <sup>rd</sup> hydraulic point		

## HOLDERS



SP11



SP11 + OF6

## TEETH



Wood tool  
 Double carb tip

OF6  
 35 to 50 teeth

## SIDE TEETH



Side tool  
 Double carb tip

OFL5  
 2 side teeth



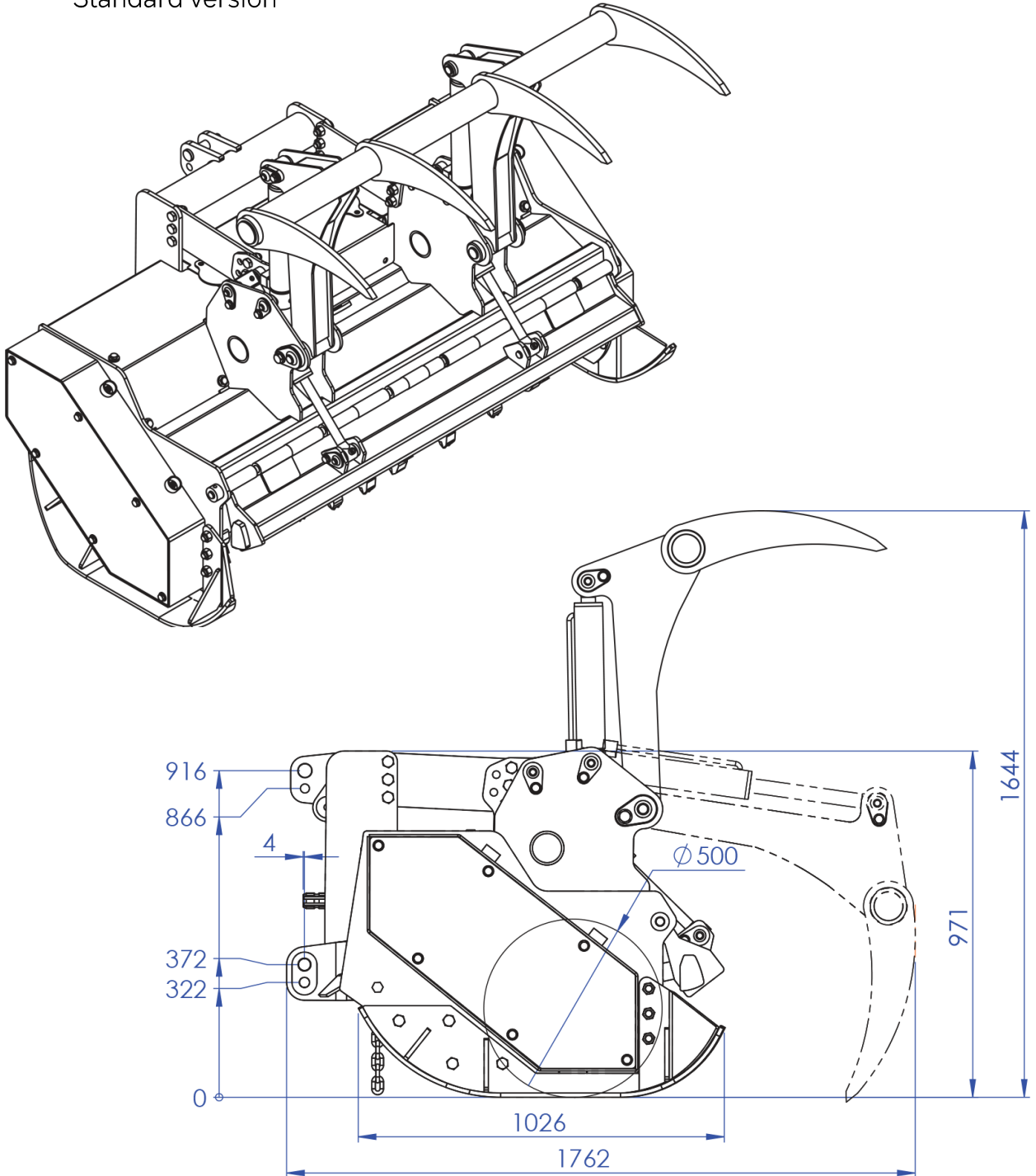
Side tool  
 Triple carb tip

OFL6  
 2 side teeth

*Our side teeth are the same on the left and right.*

## PLAN AND DIMENSIONS

Standard version



Illustrations and dimensions are for indication only.  
 PLAISANCE EQUIPEMENTS reserves the right to modify them without notice.  
 This plan is the property of PLAISANCE EQUIPEMENTS and may not be  
 reproduced or communicated without permission.  
 All rights reserved

## **RAKES AND DOOR**



Rakes raised – Door closed



Rakes raised – Door opened



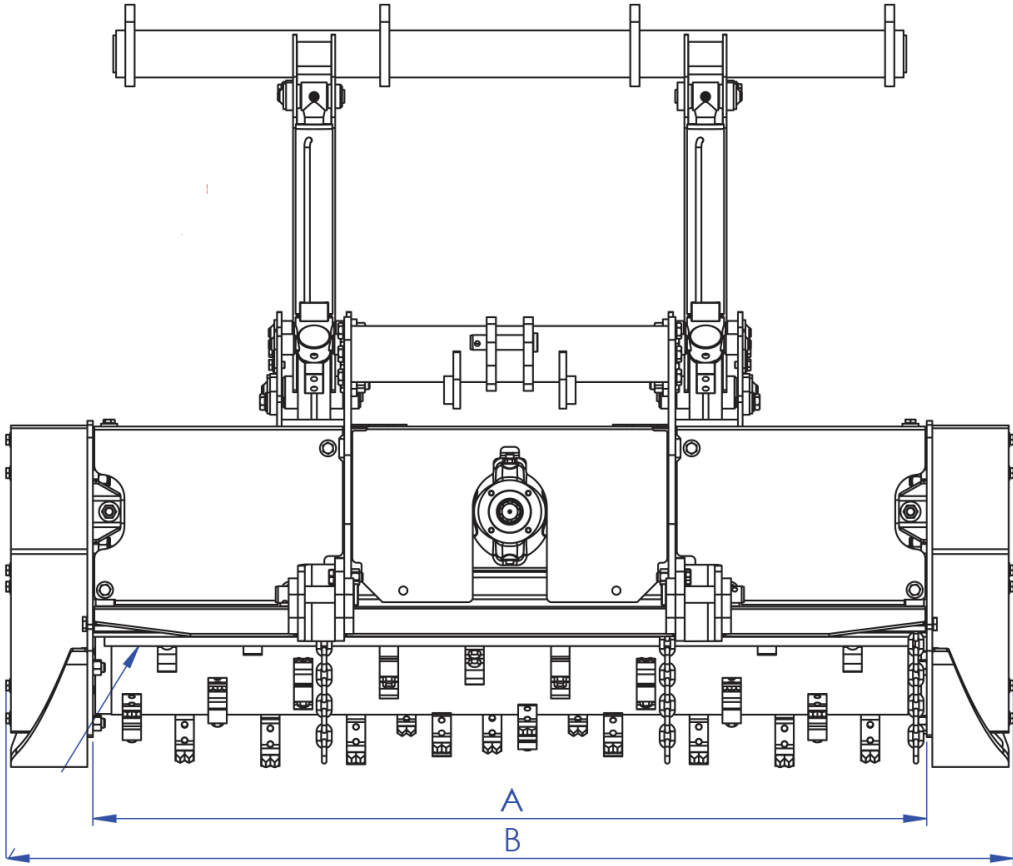
Rakes lowered – Door closed



Rakes lowered – Door opened

## WEIGHT AND DIMENSIONS (kg and mm)

Standard version



Working width (A)	Overall width (B)	Weight
1500 mm	1875 mm	1400 kg
1800 mm	2175 mm	1475 kg
2000 mm	2375 mm	1520 kg

Illustrations and dimensions are for indication only.  
 PLAISANCE EQUIPEMENTS reserves the right to modify them without notice.  
 This plan is the property of PLAISANCE EQUIPEMENTS and may not be reproduced or communicated without permission.  
 All rights reserved

